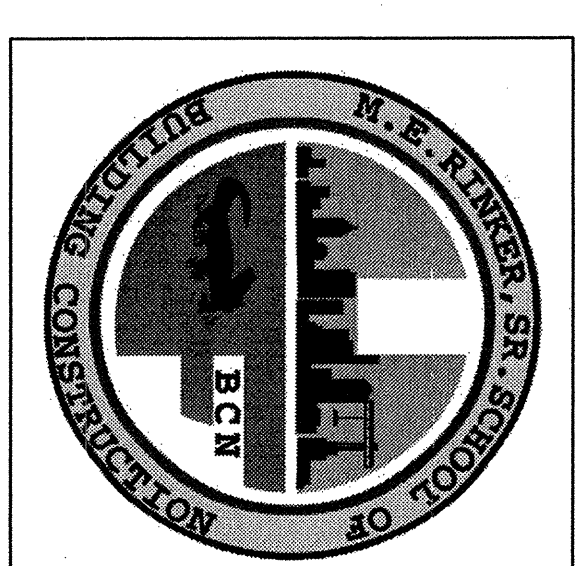
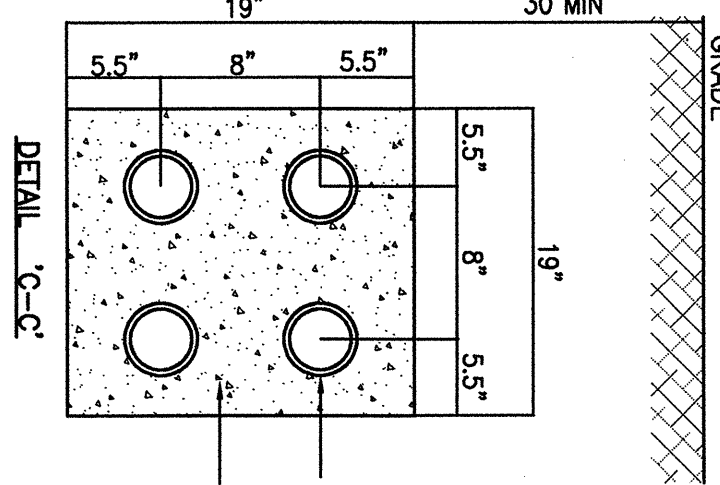
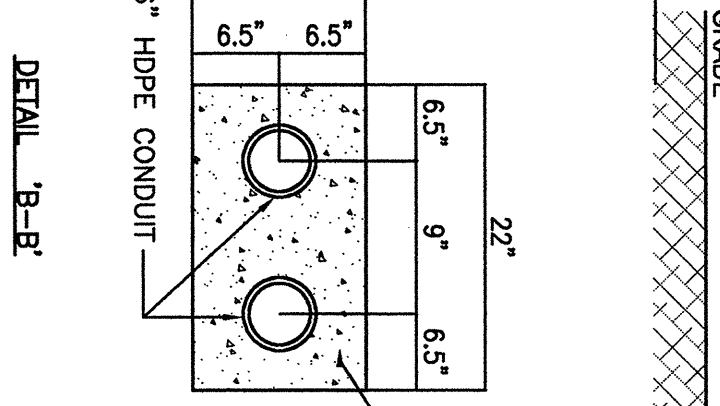
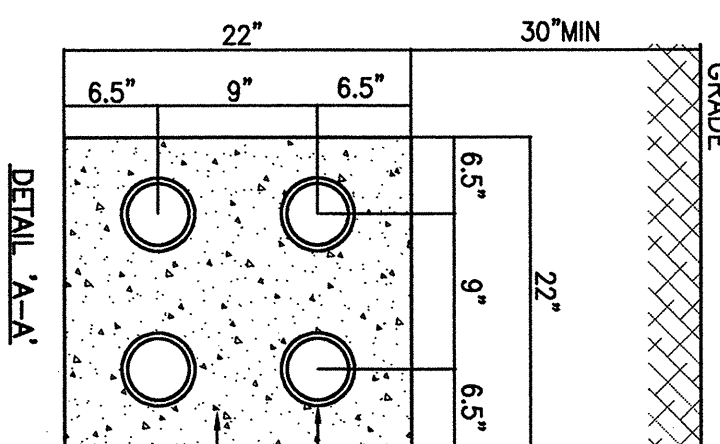


SEE DWG. ESU-2
PLAN FOR CONTINUATION

- SYMBOL LIST**
- E — NEW ELECTRICAL SERVICE FEEDERS ROUTED BELOW GROUND
 - E — NEW EMERGENCY FEEDERS ROUTED BELOW GROUND
 - E — EXISTING ELECTRICAL SERVICE FEEDERS TO REMAIN
 - TEL — NEW TELEPHONE/DATA SERVICE CABLES ROUTED BELOW GROUND
 - TEL — EXISTING TELEPHONE/DATA
 - NEW ELECTRICAL MANHOLE
 - NEW SITE LIGHTING POLLARD
 - ◇ NEW POLE MOUNTED STREET LIGHT

- NOTES**
1. THE EXACT LOCATION AND ROUTING OF NEW ELECTRICAL CONDUIT DUCT BANK FROM EXISTING SUBSTATION # 3 TO NEW BUILDING OF FACILITIES COMMANDED WITH UNIVERSITY OF FLORIDA DEPT.
 2. THE ADDITION OF NEW 3KV CIRCUIT BREAKER # 3-10 AND USE OF EXISTING CIRCUIT BREAKER # 3-8 AT EXISTING SUBSTATION OF FACILITIES COMMANDED WITH UNIVERSITY OF FLORIDA DEPT.
 3. THE NEW CIRCUIT BREAKER, 4-WAY 375 SELECTOR SWITCH, PAD MOUNTED TRANSFORMER AND CONDUIT DUCT BANKS MUST COMPLY WITH THE UNIVERSITY OF FLORIDA FACILITY RECOMMENDATIONS.



M.E. RINKER, Sr. HALL

SCHOOL OF BUILDING CONSTRUCTION

UNIVERSITY OF FLORIDA-GAINESVILLE
PROJECT NO. BR-191

ARCHITECT
CROWTON COLLABORATIVE ARCHITECTS
425 57TH AVENUE
NEW YORK, NY 10017
TEL: 212 681-1988
FAX: 212 681-2799

ENGINEER
GOLD SPANS ASSOCIATES
5405 WEST OPRESS STREET
TAMPA, FL 33607
TEL: 813 288-0729
FAX: 813 288-0231

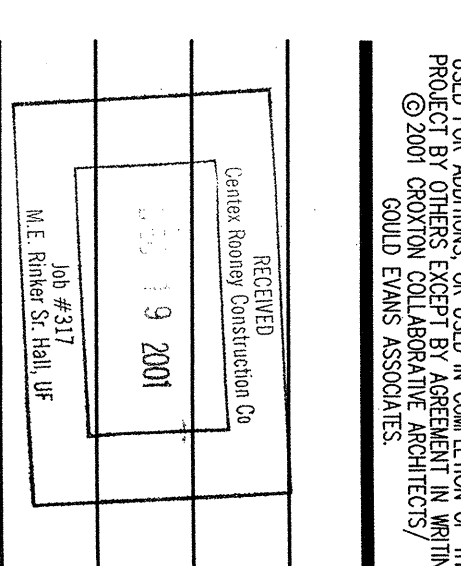
MECHANICAL ENGINEER
LEHR ASSOCIATES
130 WEST 30TH STREET
NEW YORK, NY 10001-6922
TEL: 212 547-2820
FAX: 212 547-2829

GENERAL CONTRACTOR
WALLEN? MOORE
201 EAST KENNEDY BOULEVARD
MIAMI, FL 33132
TEL: 813 221 2424
FAX: 813 221 2889

GENERAL CONTRACTOR
BROWN & COLLETT, INC.
3530 NW 43 STREET
GAINESVILLE, FL 32605
TEL: 352 375 8899
FAX: 352 375 8833

MECHANICAL ENGINEER
MCCLEAN DESIGN GROUP, INC.
1841 NW 39 DRIVE
GAINESVILLE, FL 32605
TEL: 352 372 2986
FAX: 352 372 8282

GENERAL CONTRACTOR
SEELY-BROSCH
AUSSESS, SILVERBERG, SFR, IIS
TEL: 951/29 99 89
TEL: 951/29 99 89
FAX: 951/29 99 85



100% CONSTRUCTION DOCUMENTS

ELECTRICAL SITE UTILITY PLAN

DATE: 10/19/01
SCALE: 1"=20'
DRAWING NUMBER: ESU-1
DRAWN BY: NAJUH