



M.E. RINKER, Sr. HALL
SCHOOL OF BUILDING CONSTRUCTION

UNIVERSITY OF FLORIDA-GAINESVILLE
PROJECT NO. BR-191

ARCHITECTS
CROXTON COLLABORATIVE/
GOULD EVANS ASSOCIATES

CROXTON COLLABORATIVE ARCHITECTS

475 FIFTH AVENUE
NEW YORK, NY 10017
TEL 212.683.1998
FAX 212.683.2799

GOULD EVANS ASSOCIATES

5405 WEST EXPRESS STREET
TAMPA, FL 33607
TEL 813.288.0729
FAX 813.288.0231

MECHANICAL ENGINEERS
LEHR ASSOCIATES

130 WEST 30TH STREET
NEW YORK, NY 10001-4092
TEL 212.947.8050
FAX 212.967.2059

STRUCTURAL ENGINEERS
WALTER P. MOORE

201 EAST KENNEDY BOULEVARD
TAMPA, FL 33602
TEL 813.221.2424
FAX 813.221.2289

CIVIL ENGINEERS
BROWN & CULLEN, INC.

3530 HWY 43 STREET
GAINESVILLE, FL 32605
TEL 352.375.8999
FAX 352.375.0633

LANDSCAPE ENGINEERS
McCLAIN DESIGN GROUP, INC.

1843 HWY 39 DRIVE
GAINESVILLE, FL 32605
TEL 352.372.2808
FAX 352.372.6622

CONSULTANT
SEEGY-BISCH

AUSSERE SUAZBACHER STR. 118
NURNBERG, GERMANY
TEL 0911/59 90 99
FAX 0911/59 98 05

THIS DRAWING, AS AN INSTRUMENT OF SERVICE, IS AND SHALL REMAIN THE PROPERTY OF CROXTON COLLABORATIVE ARCHITECTS. THIS DRAWING SHALL NOT BE REPRODUCED, PUBLISHED, USED ON OTHER PROJECTS, USED FOR ADVERTISEMENTS, OR USED IN COMPLETION OF THIS PROJECT BY OTHERS EXCEPT BY AGREEMENT IN WRITING. © 2001 CROXTON COLLABORATIVE ARCHITECTS/GOULD EVANS ASSOCIATES.

NO. ISSUE/REVISION DATE

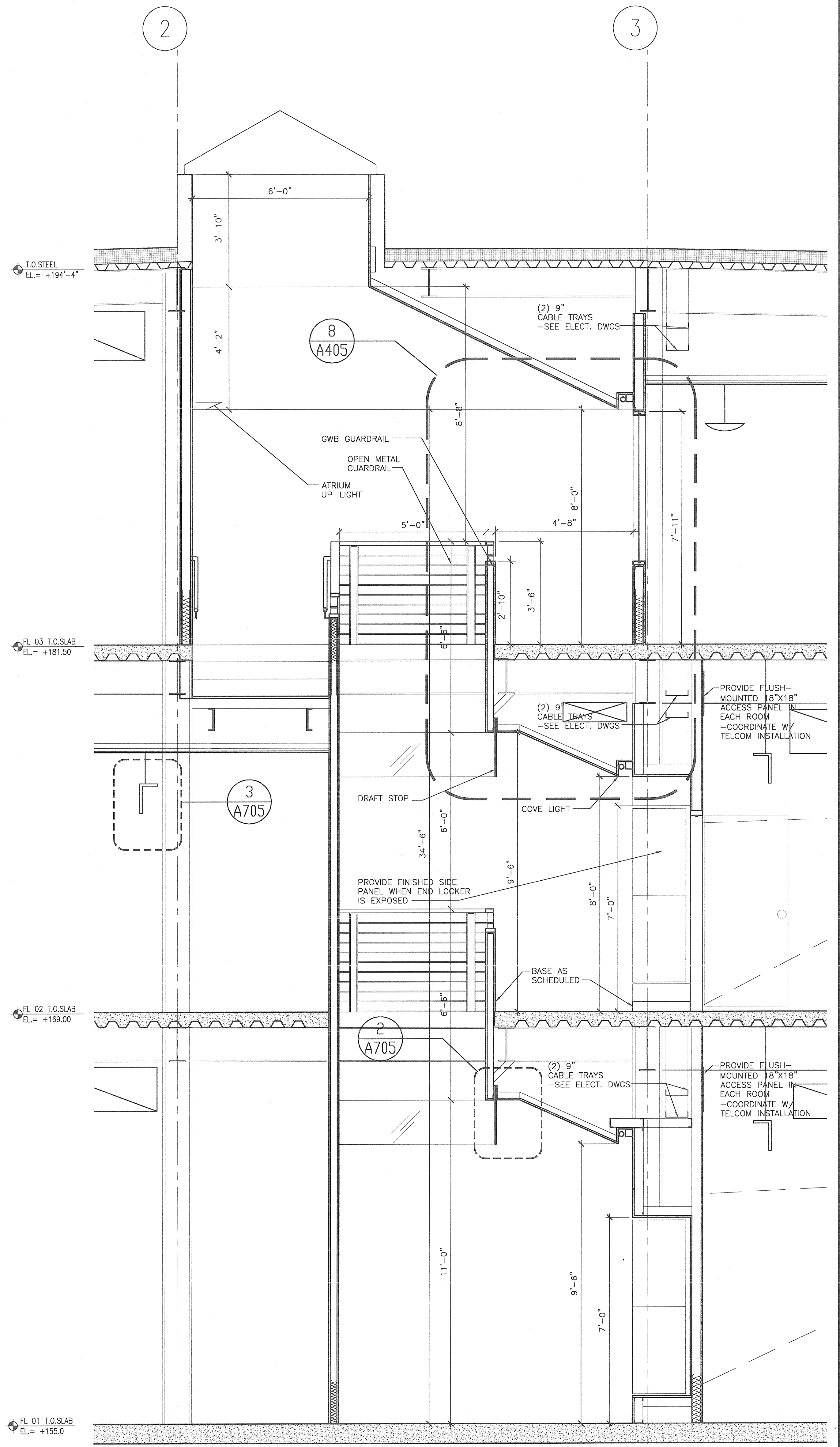
100% CONSTRUCTION DOCUMENTS

DRAWING NAME
ATRIUM SECTION & DETAILS

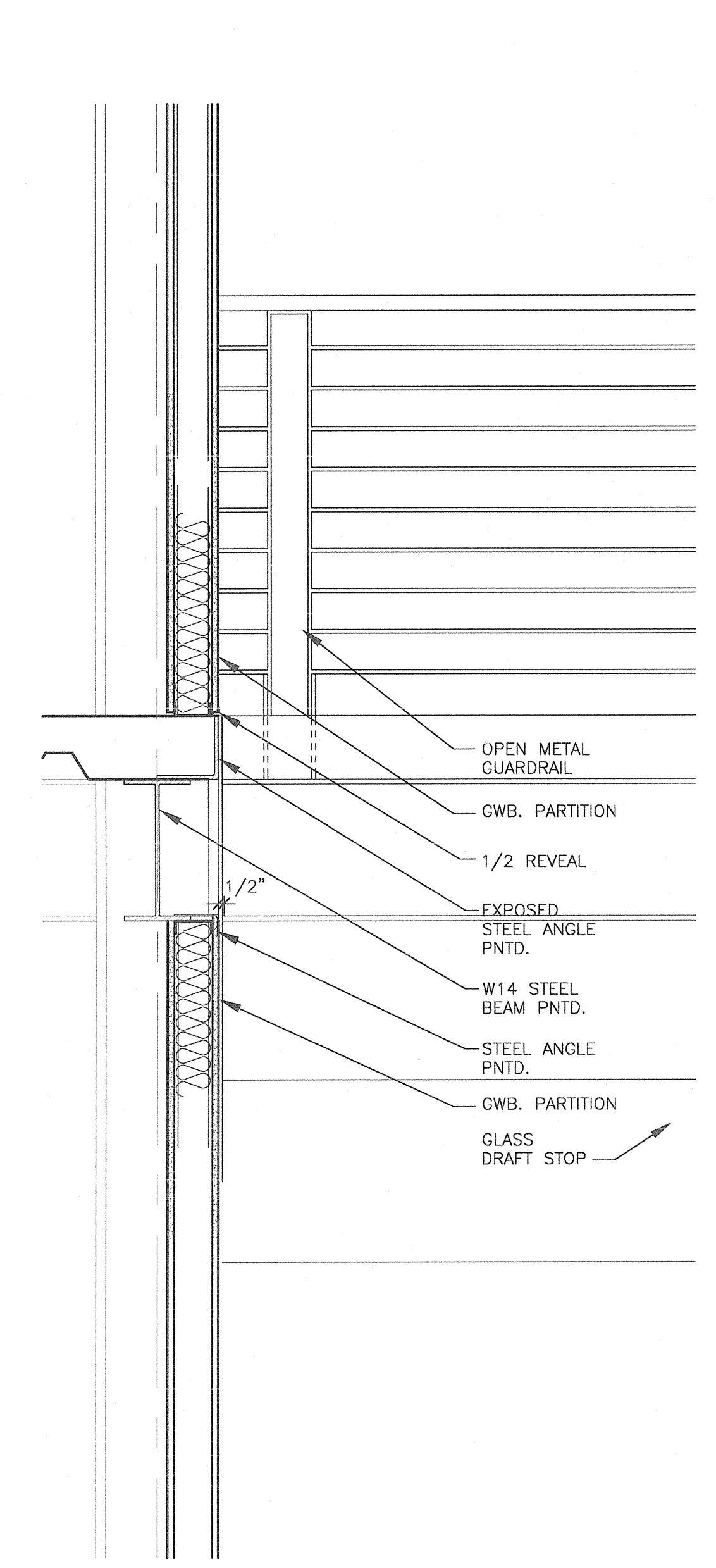
DATE 11/21/01
SCALE 1/2"=1'-0"

DRAWN BY/DRAWN BY DATE DLH

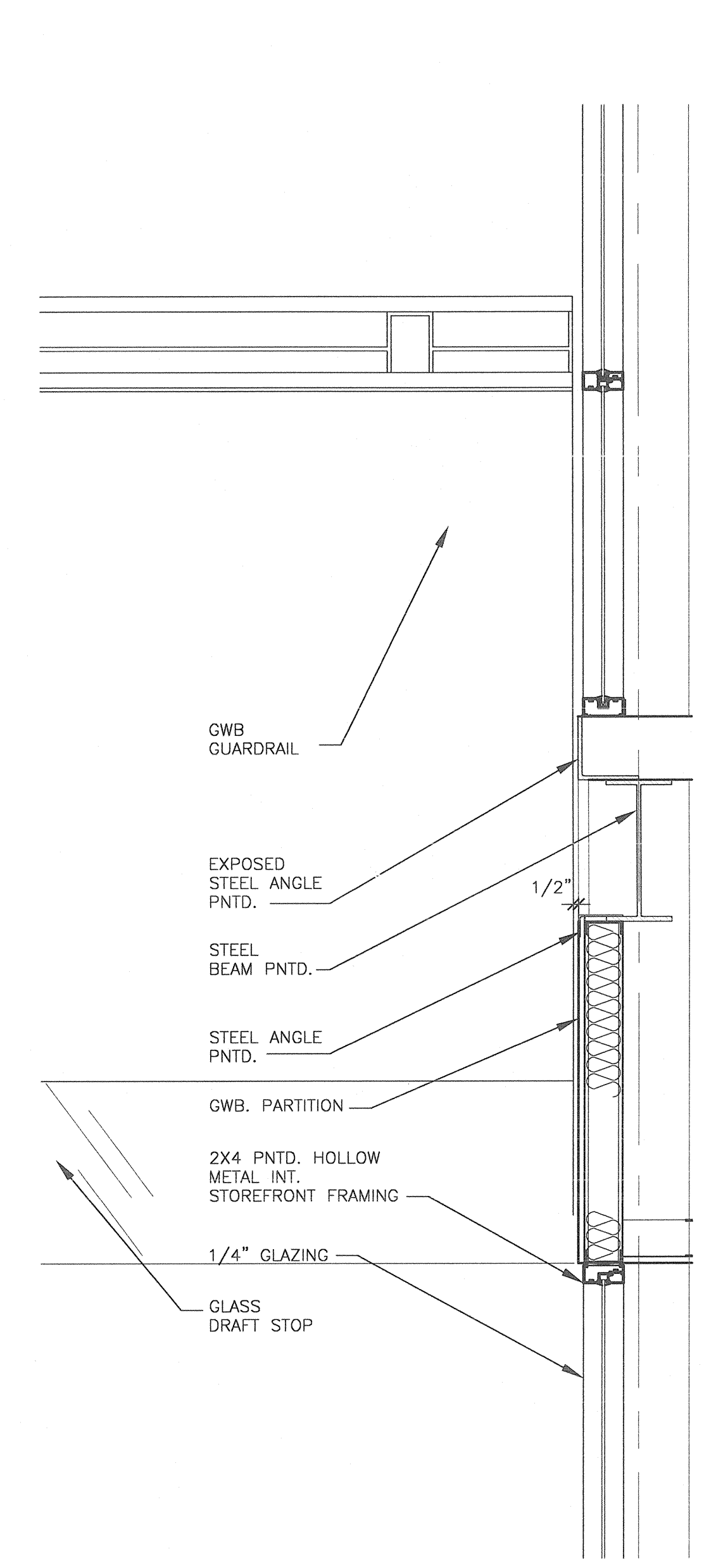
A405



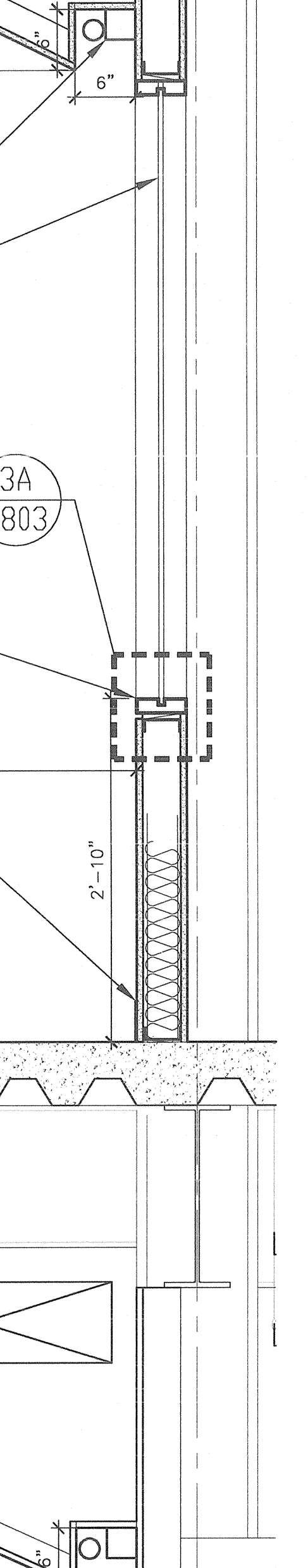
1 ATRIUM SECTION
1/2" = 1'-0"



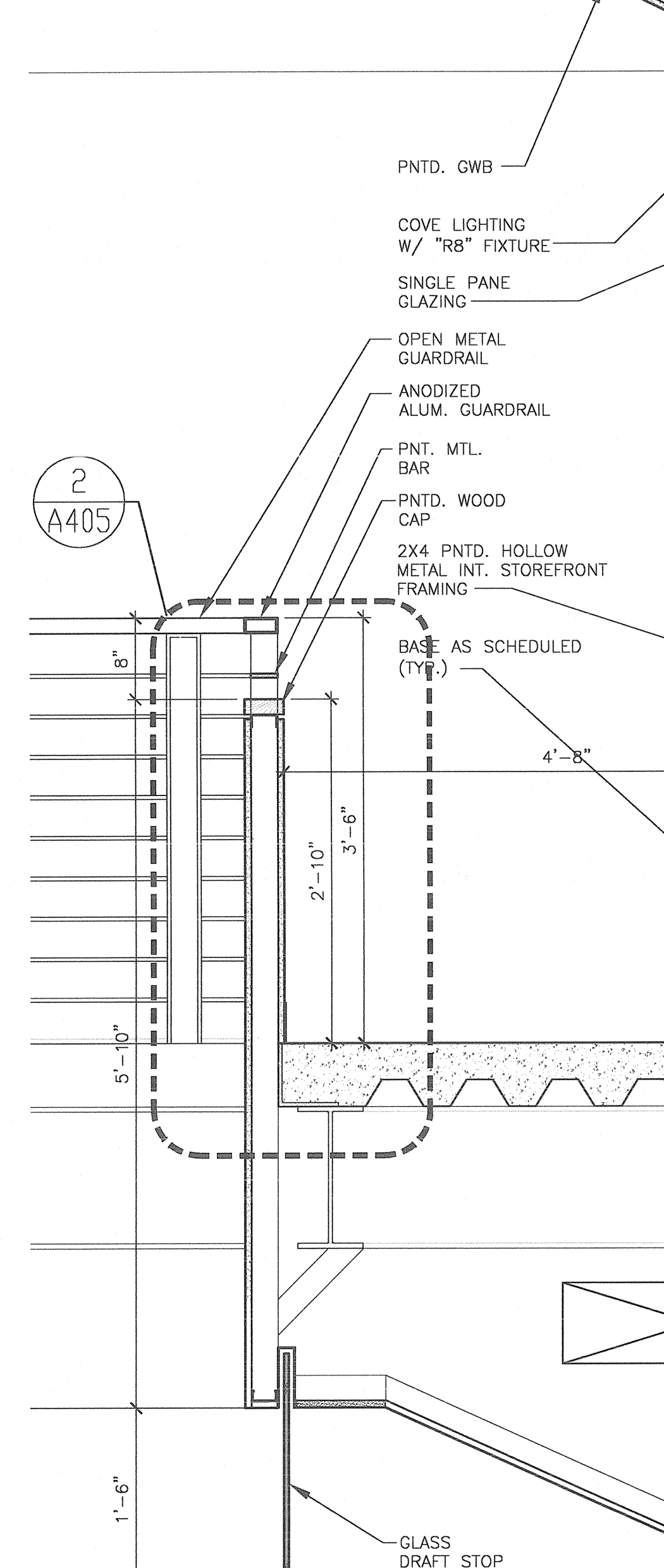
2 GUARDRAIL DETAIL @ CORRIDOR
3" = 1'-0"



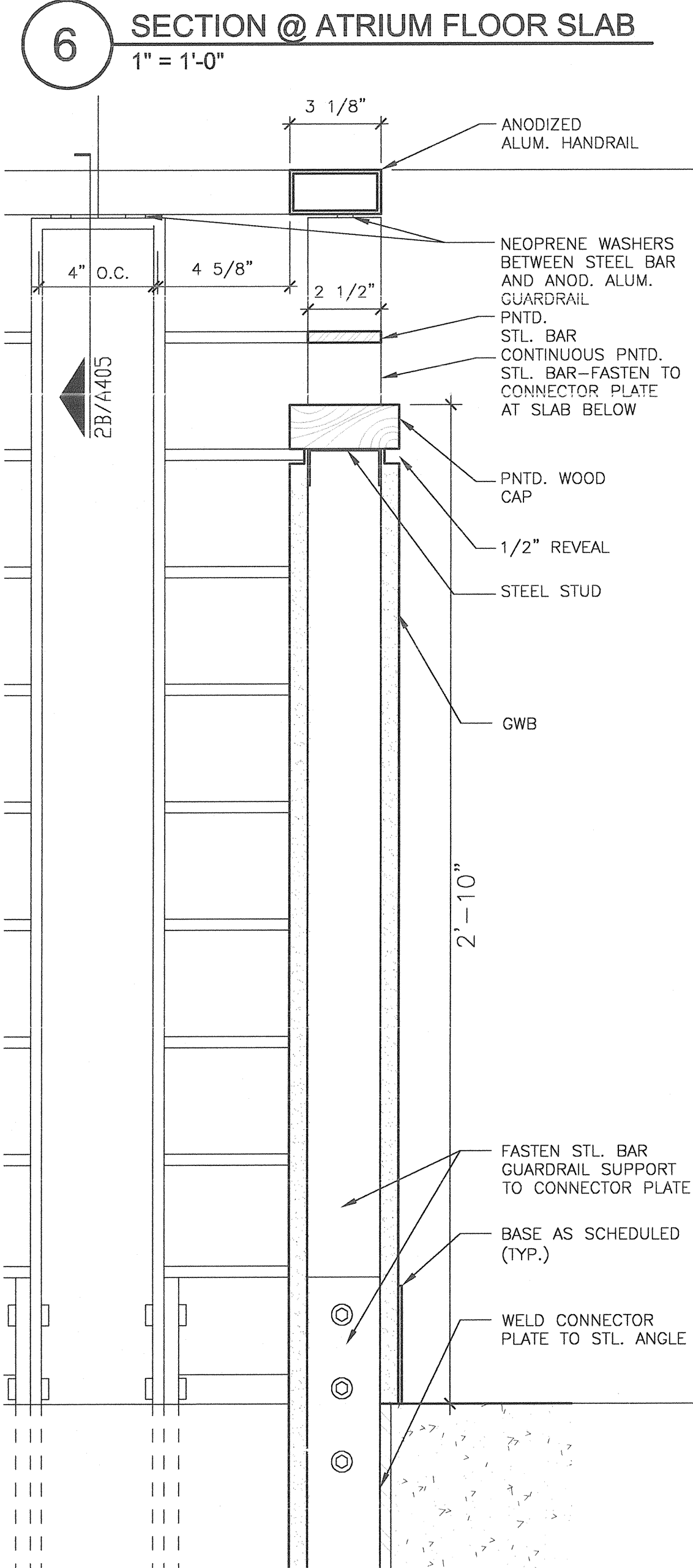
3 GUARDRAIL DETAIL
3" = 1'-0"



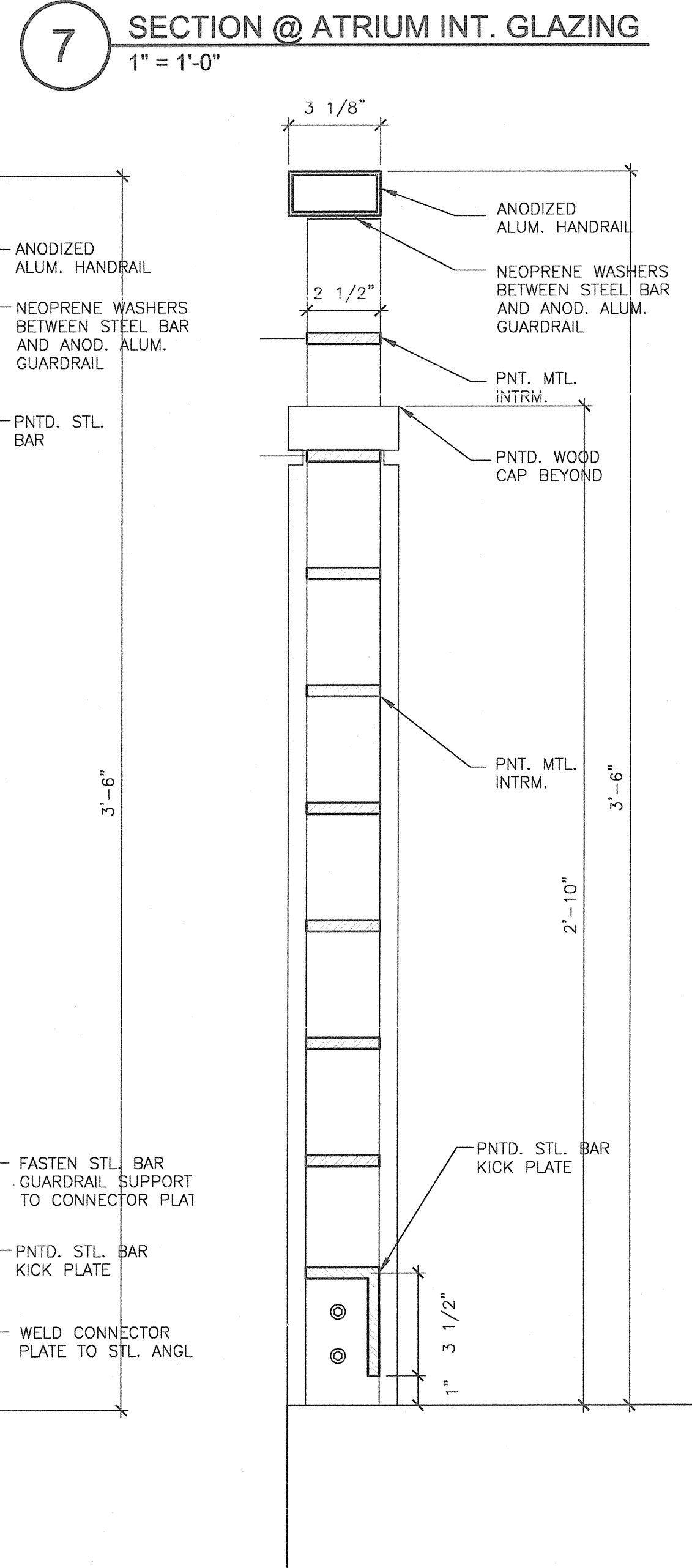
4 GUARDRAIL DETAIL @ BRIDGE
3" = 1'-0"



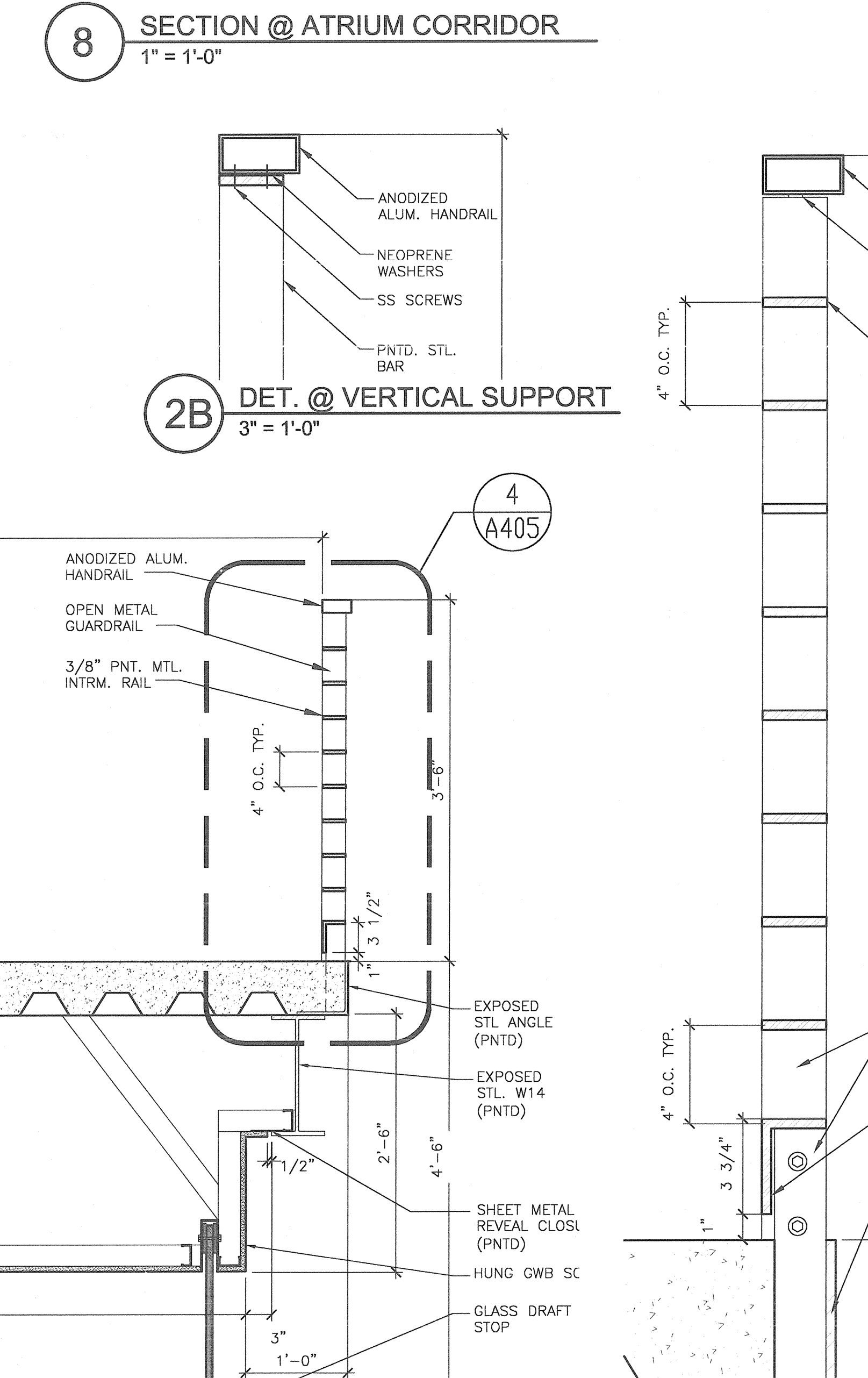
5 SECTION @ BRIDGE
1" = 1'-0"



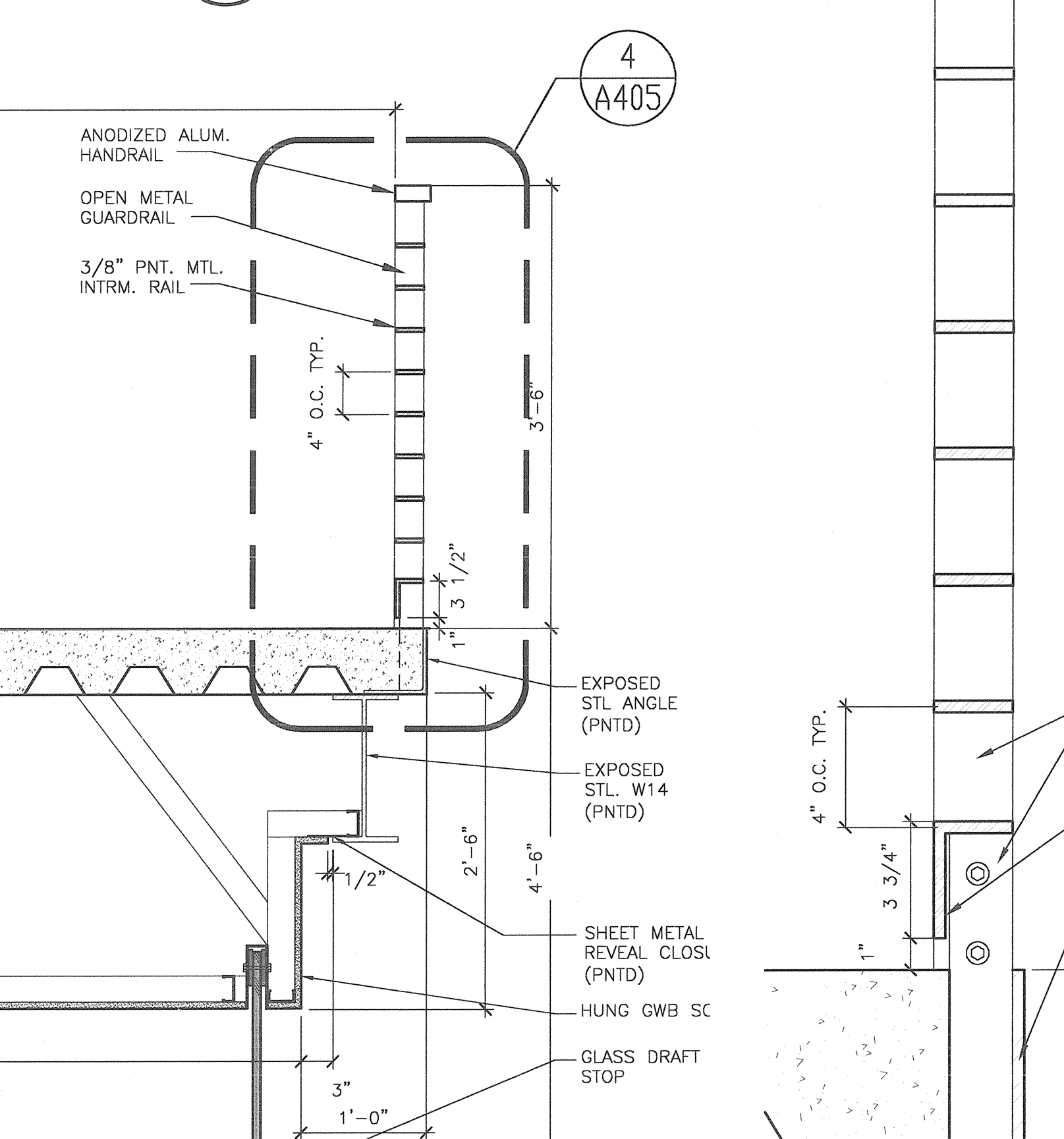
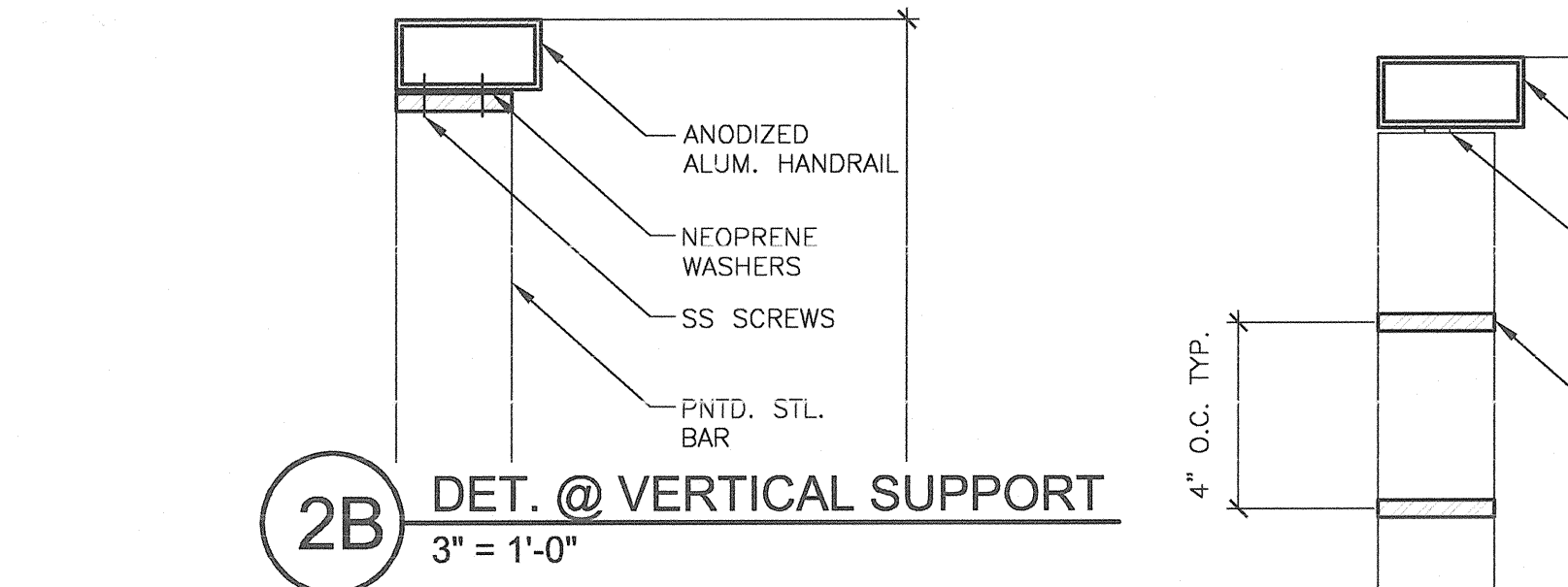
6 SECTION @ ATRIUM FLOOR SLAB
1" = 1'-0"



7 SECTION @ ATRIUM INT. GLAZING
1" = 1'-0"



8 SECTION @ ATRIUM CORRIDOR
1" = 1'-0"



2B DET. @ VERTICAL SUPPORT
3" = 1'-0"