

M.E. RINKER, Sr. HALL
SCHOOL OF BUILDING CONSTRUCTION
UNIVERSITY OF FLORIDA-GAINESVILLE
PROJECT NO. BR-191

ARCHITECTS
**CROXTON COLLABORATIVE/
GOULD EVANS ASSOCIATES**

CROXTON COLLABORATIVE ARCHITECTS
475 FIFTH AVENUE
NEW YORK, NY 10017
TEL 212.683.1998
FAX 212.683.2799

GOULD EVANS ASSOCIATES
5405 WEST CYPRESS STREET
TAMPA, FL 33607
TEL 813.288.0729
FAX 813.288.0231

MECHANICAL ENGINEERS
LEHR ASSOCIATES

130 WEST 30TH STREET
NEW YORK, NY 10001-4092
TEL 212.947.8050
FAX 212.967.2059

STRUCTURAL ENGINEERS
WALTER P. MOORE

201 EAST KENNEDY BOULEVARD
TAMPA, FL 33602
TEL 813.221.2424
FAX 813.221.2289

CIVIL ENGINEERS
BROWN & CULLEN, INC.

3530 NW 43 STREET
GAINESVILLE, FL 32605
TEL 352.375.8099
FAX 352.375.0833

LANDSCAPE ENGINEERS
McCLAIN DESIGN GROUP, INC.

1843 NW 39 DRIVE
GAINESVILLE, FL 32605
TEL 352.372.2808
FAX 352.372.6622

CONSULTANT
SEEGY-BISCH

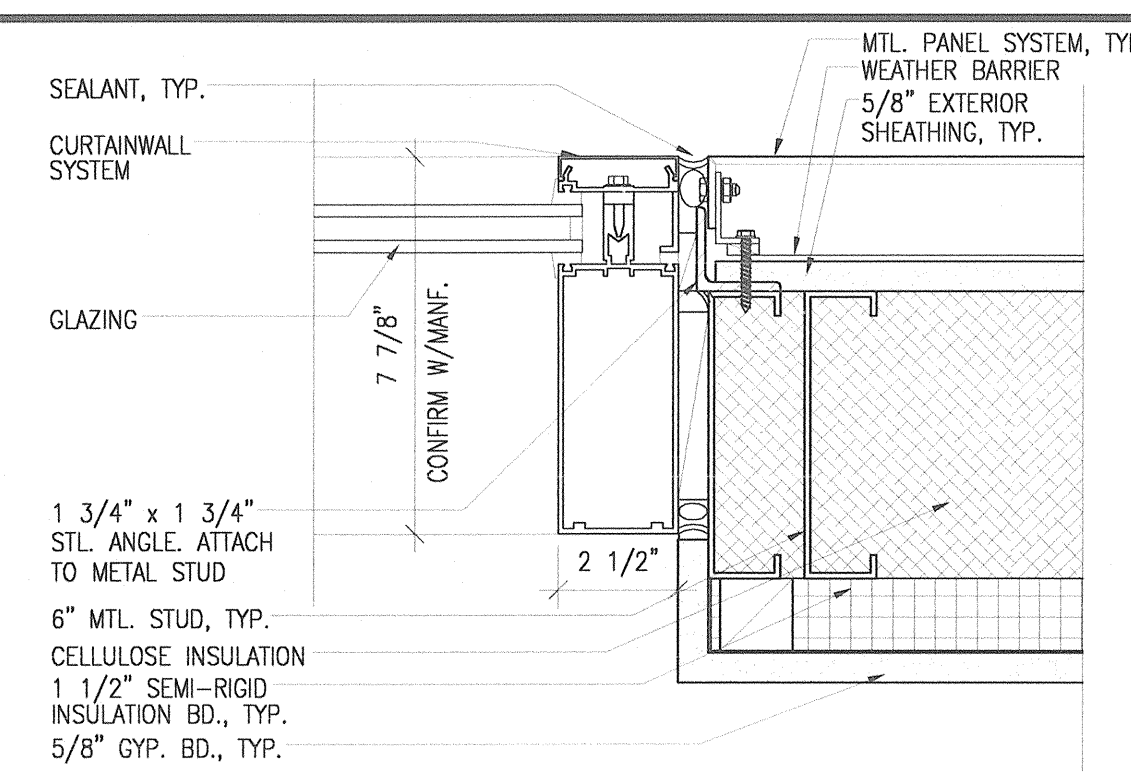
AUSSERE SULZBACHER STR. 118
NURNBERG, GERMANY
TEL 0911/59 90 99
FAX 0911/59 98 05

THIS DRAWING, AS AN INSTRUMENT OF SERVICE, IS AND SHALL REMAIN, PROPERTY OF CROXTON COLLABORATIVE ARCHITECTS. THIS DRAWING SHALL NOT BE REPRODUCED, PUBLISHED, USED ON OTHER PROJECTS, USED FOR ADVERTISEMENTS, OR USED IN COMPLETION OF THIS PROJECT BY OTHERS EXCEPT BY AGREEMENT IN WRITING. © 2001 CROXTON COLLABORATIVE ARCHITECTS/GOULD EVANS ASSOCIATES.

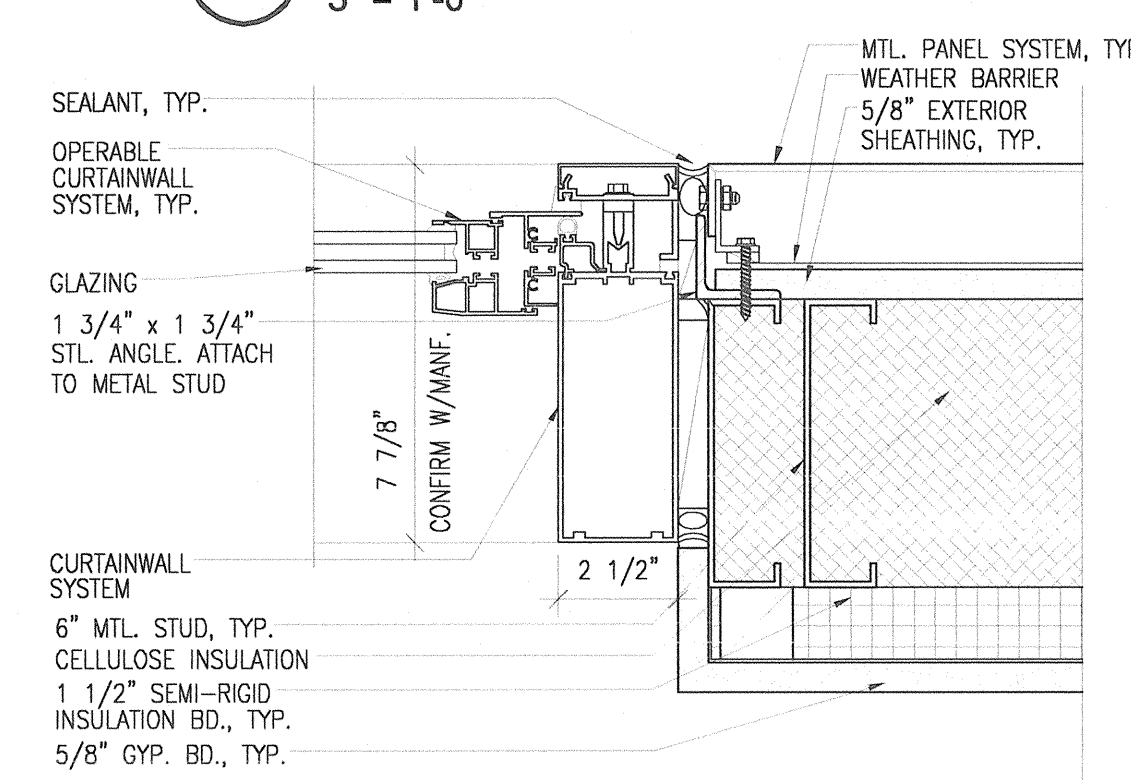
100% CONSTRUCTION DOCUMENTS

DRAWING NAME
EXTERIOR DOOR AND WINDOW DETAILS

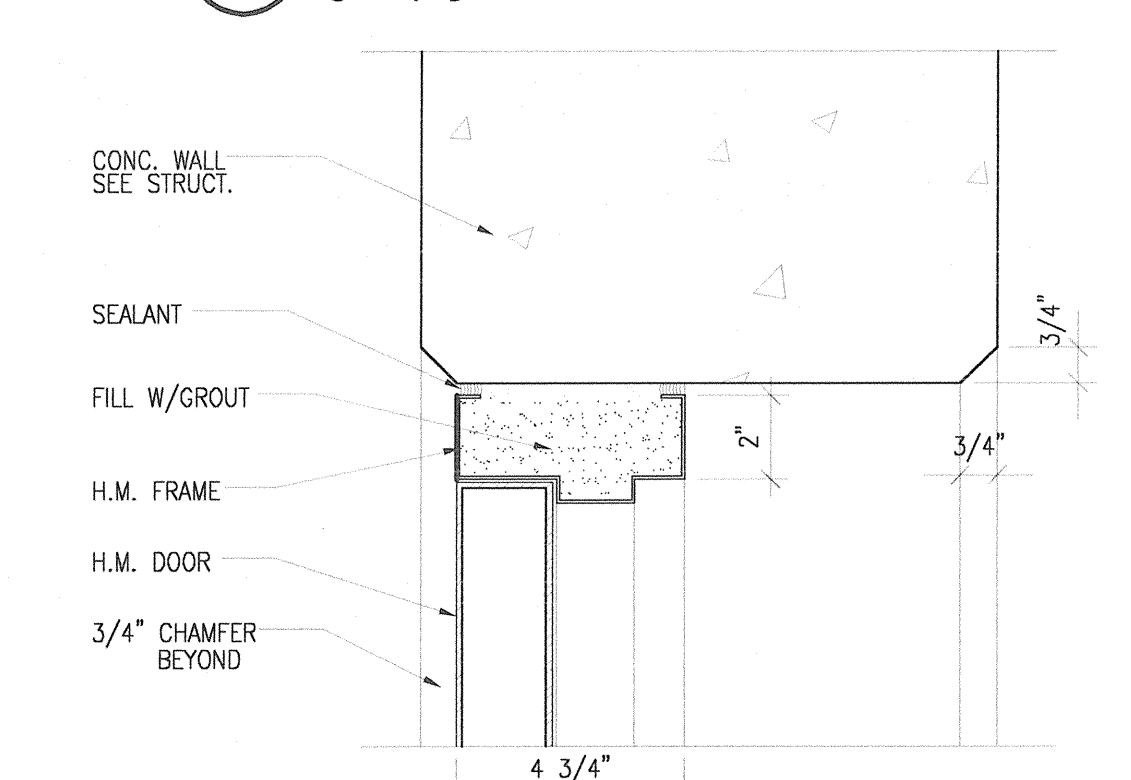
DATE 11/21/01
SCALE 3/4"=1'-0" **A501**
DRAWN BY/CHECKED BY MM/JRae



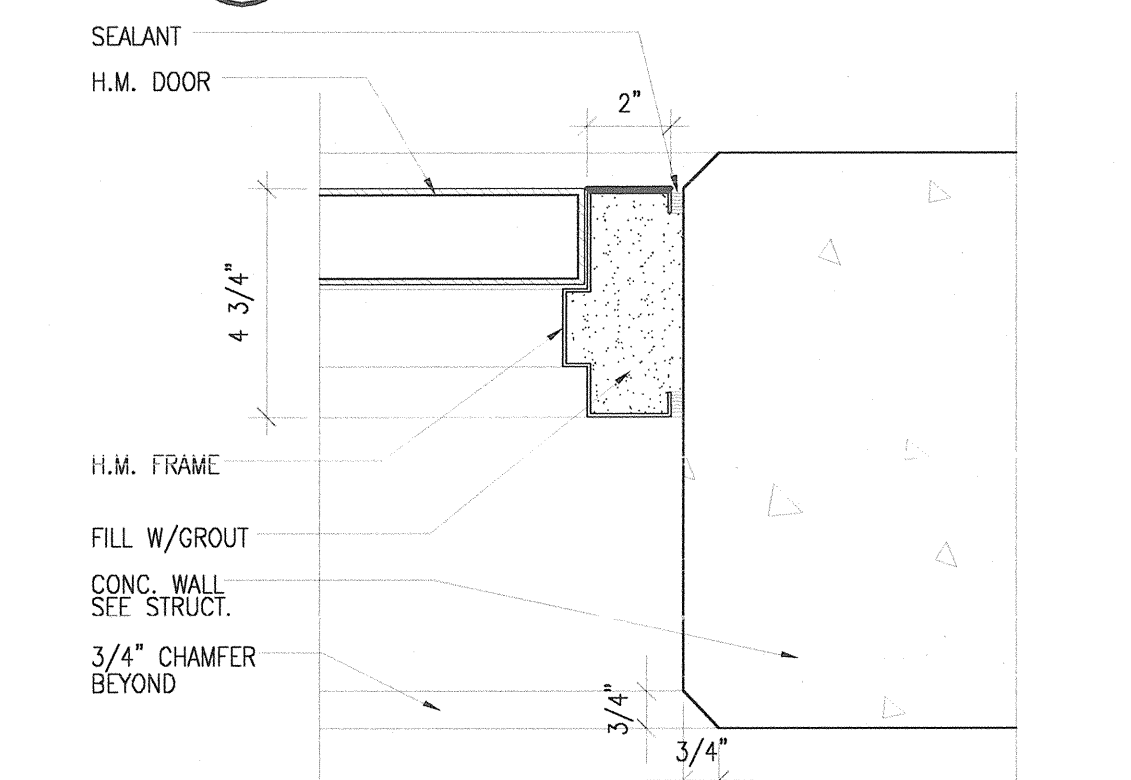
15 JAMB DETAIL
3" = 1'-0"



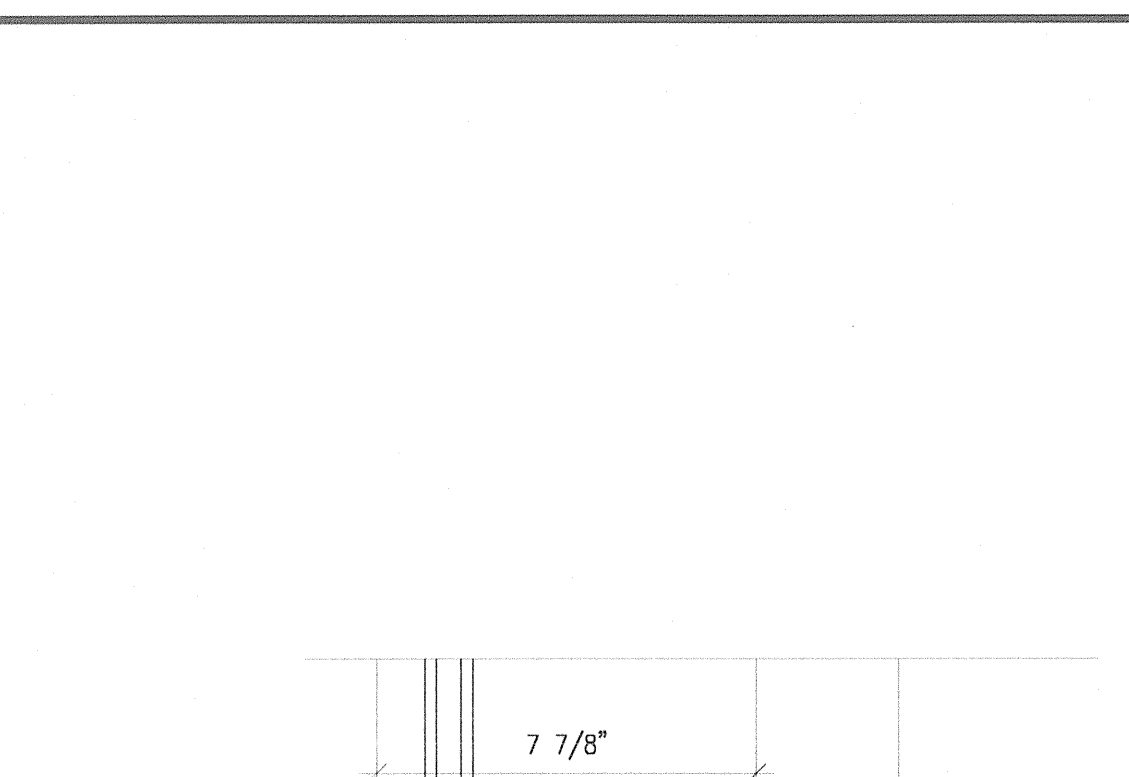
14 JAMB DETAIL
3" = 1'-0"



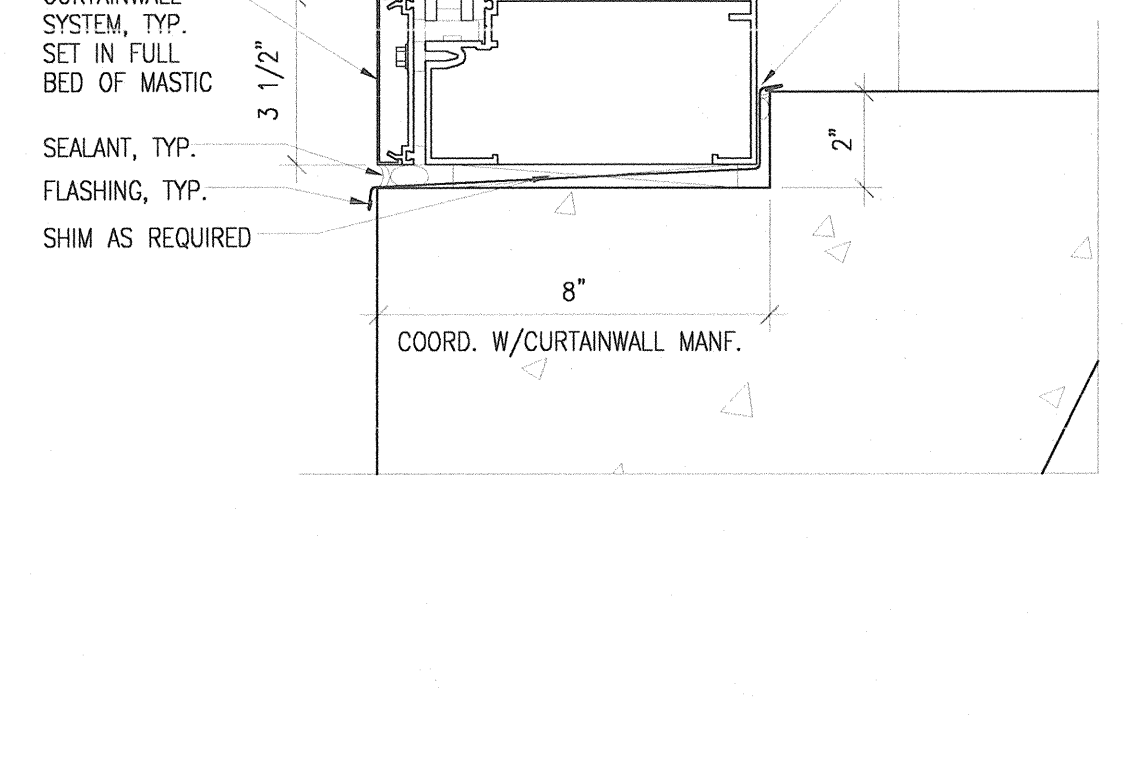
8 HEAD DETAIL
3" = 1'-0"



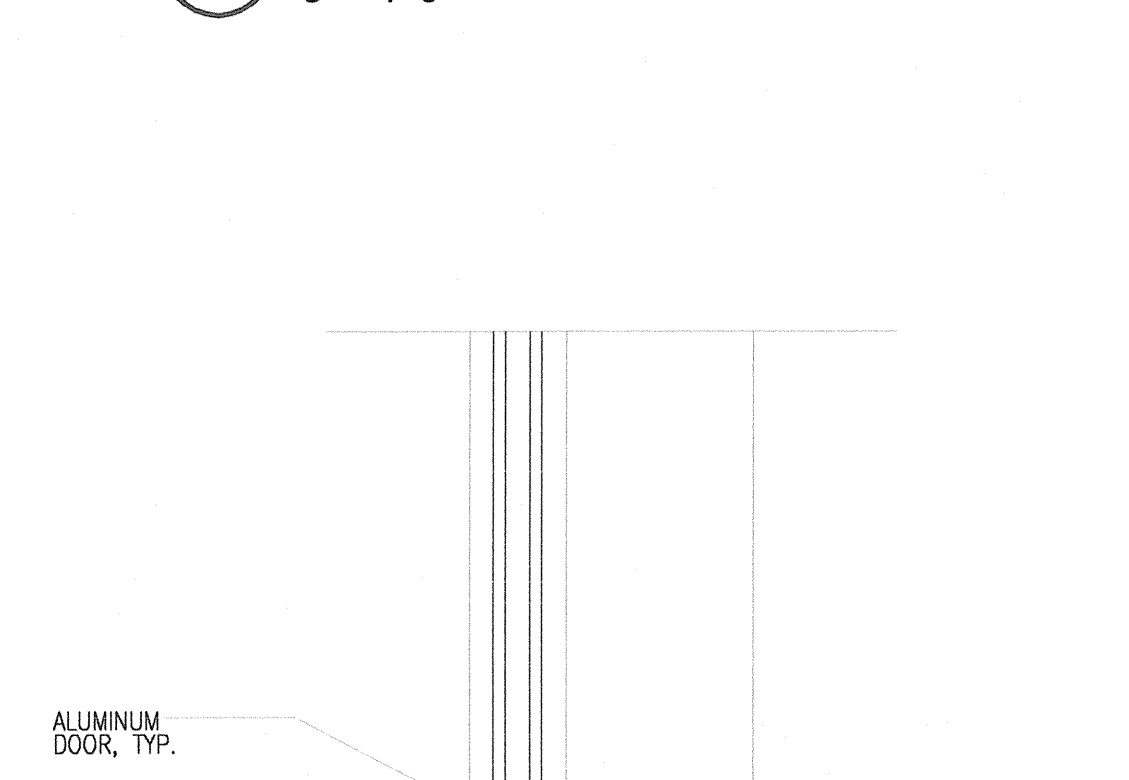
7 JAMB DETAIL
3" = 1'-0"



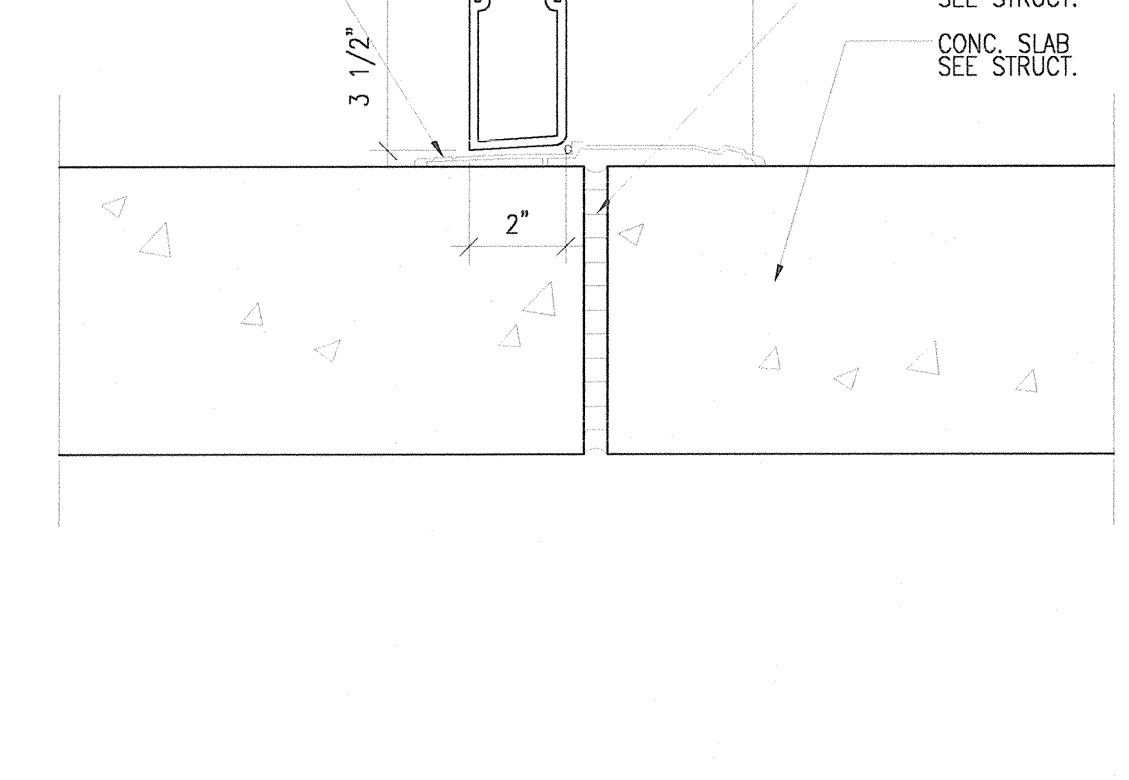
16 SILL DETAIL
3" = 1'-0"



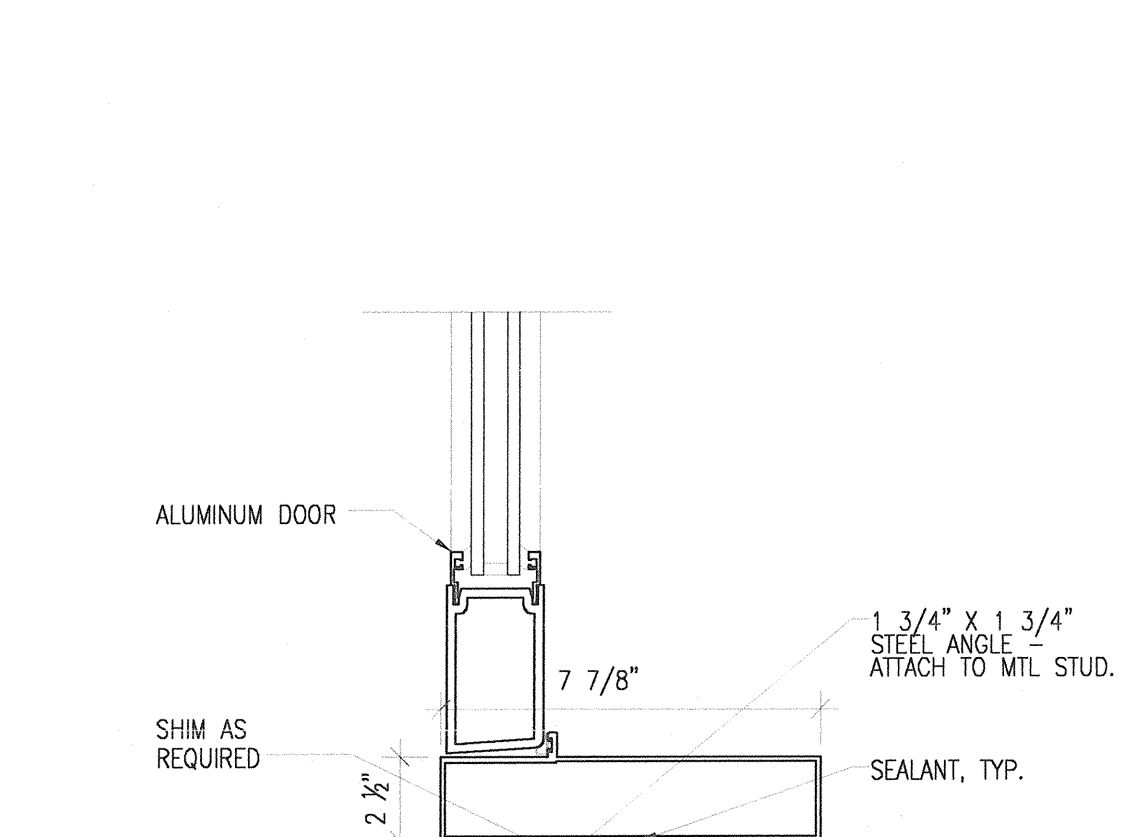
17 INTERMEDIATE MULLION DETAIL
3" = 1'-0"



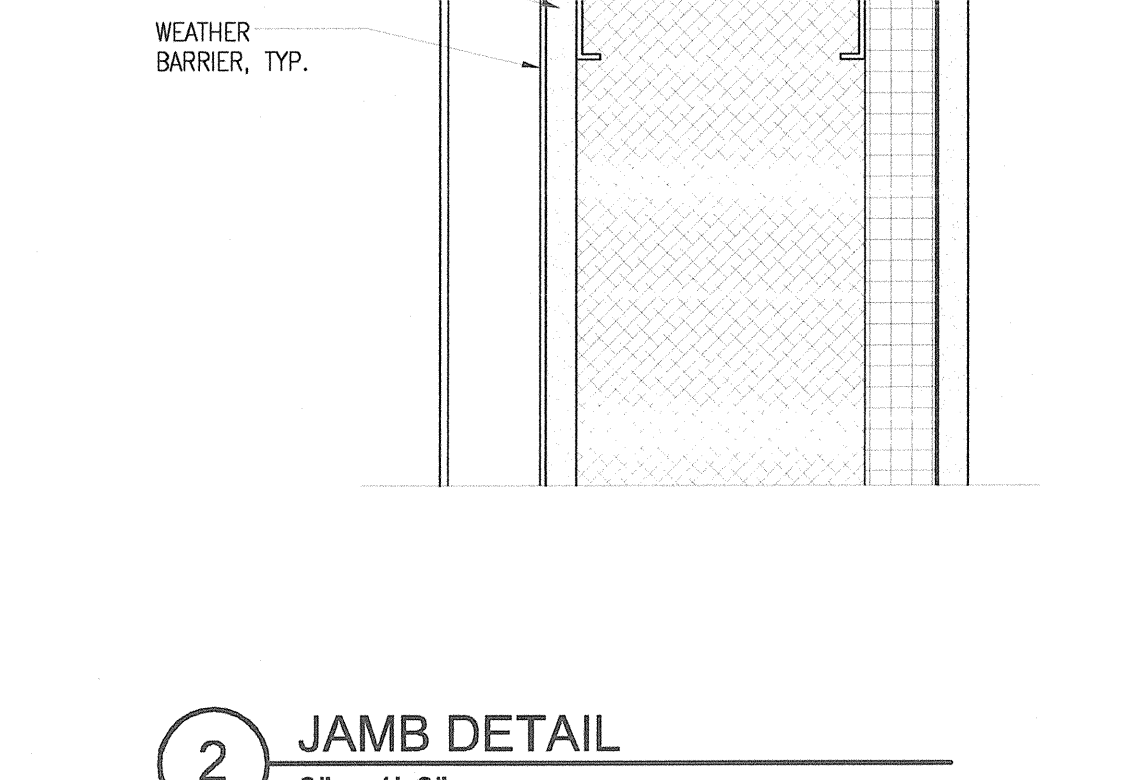
10 SILL DETAIL
3" = 1'-0"



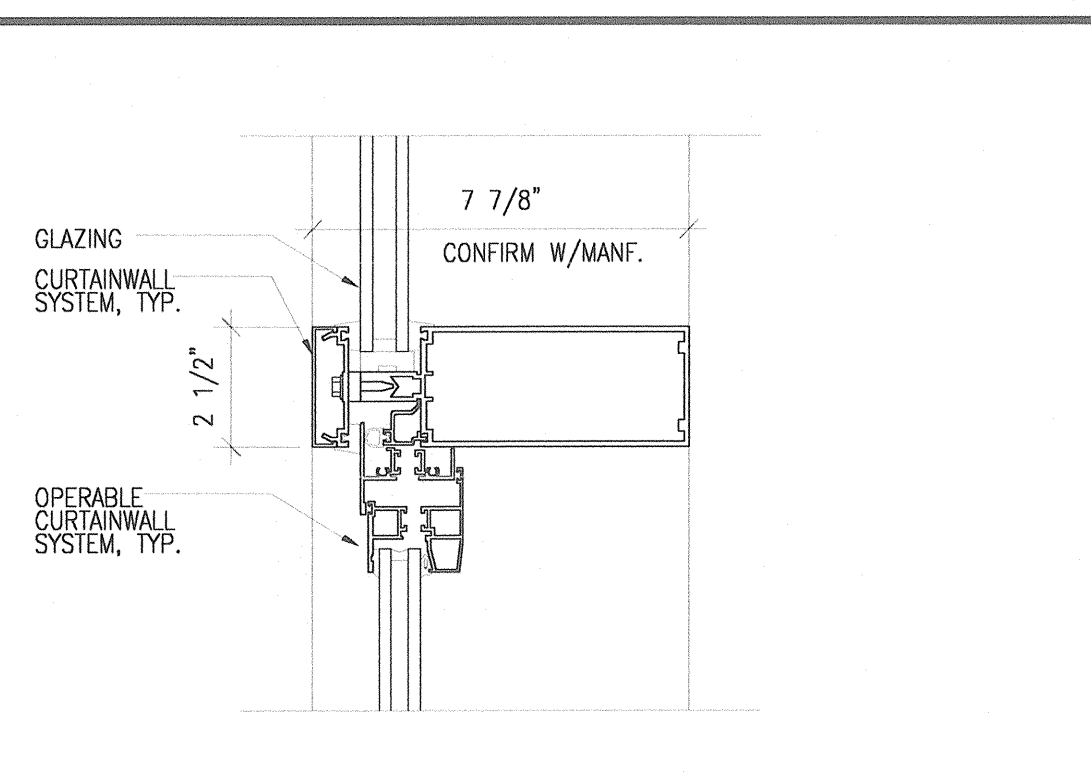
9 SILL DETAIL
3" = 1'-0"



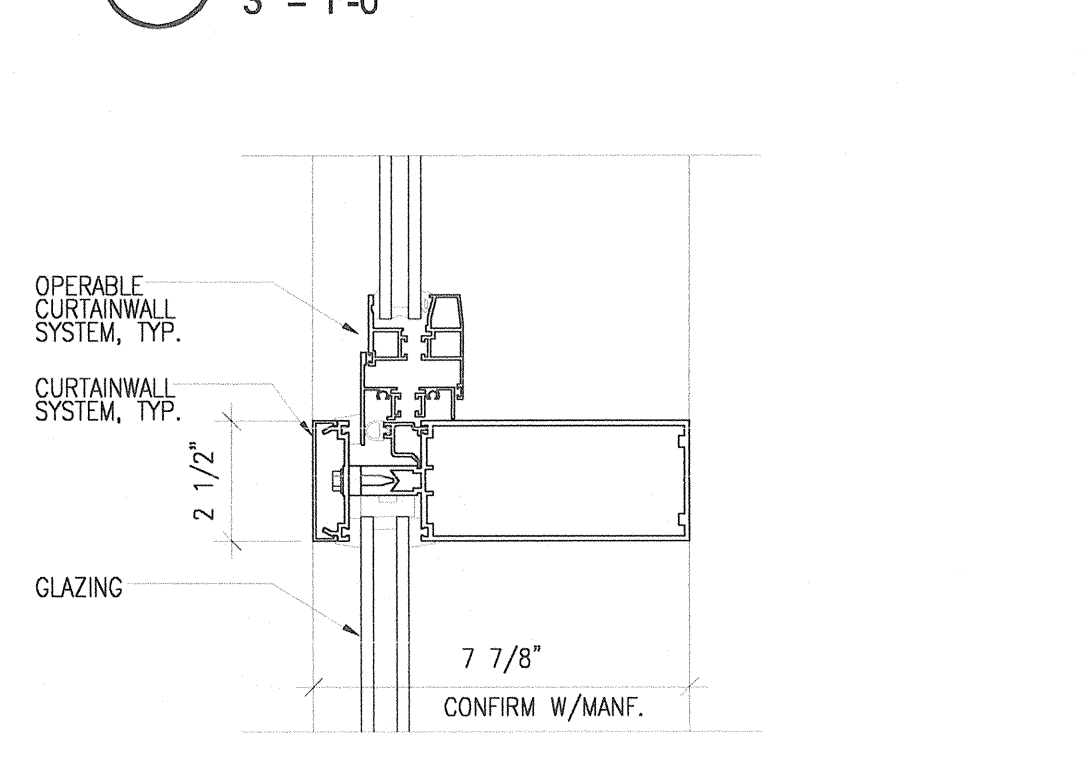
2 JAMB DETAIL
3" = 1'-0"



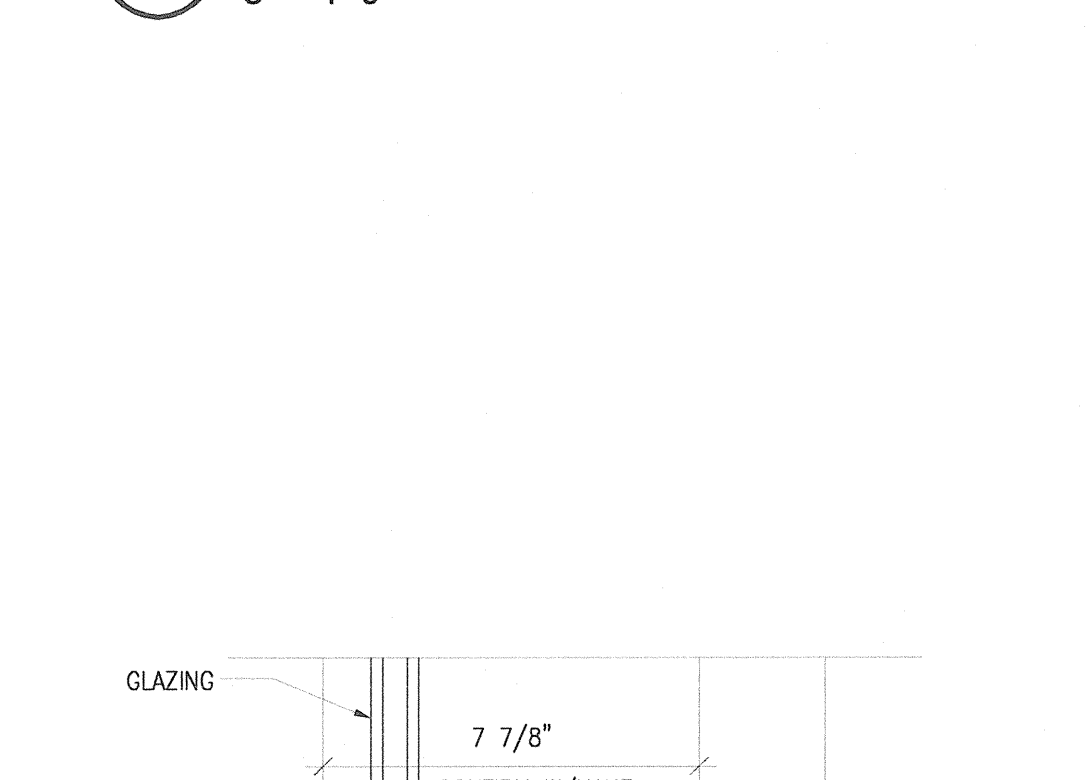
1 SILL DETAIL
3" = 1'-0"



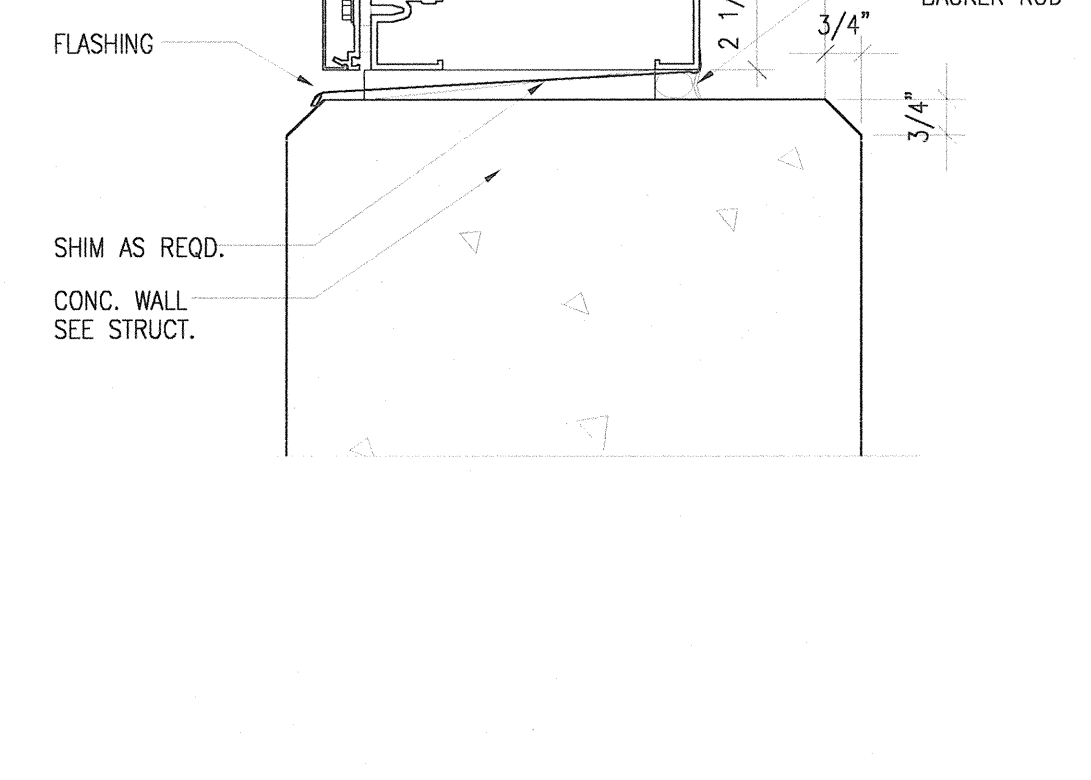
18 HEAD DETAIL
3" = 1'-0"



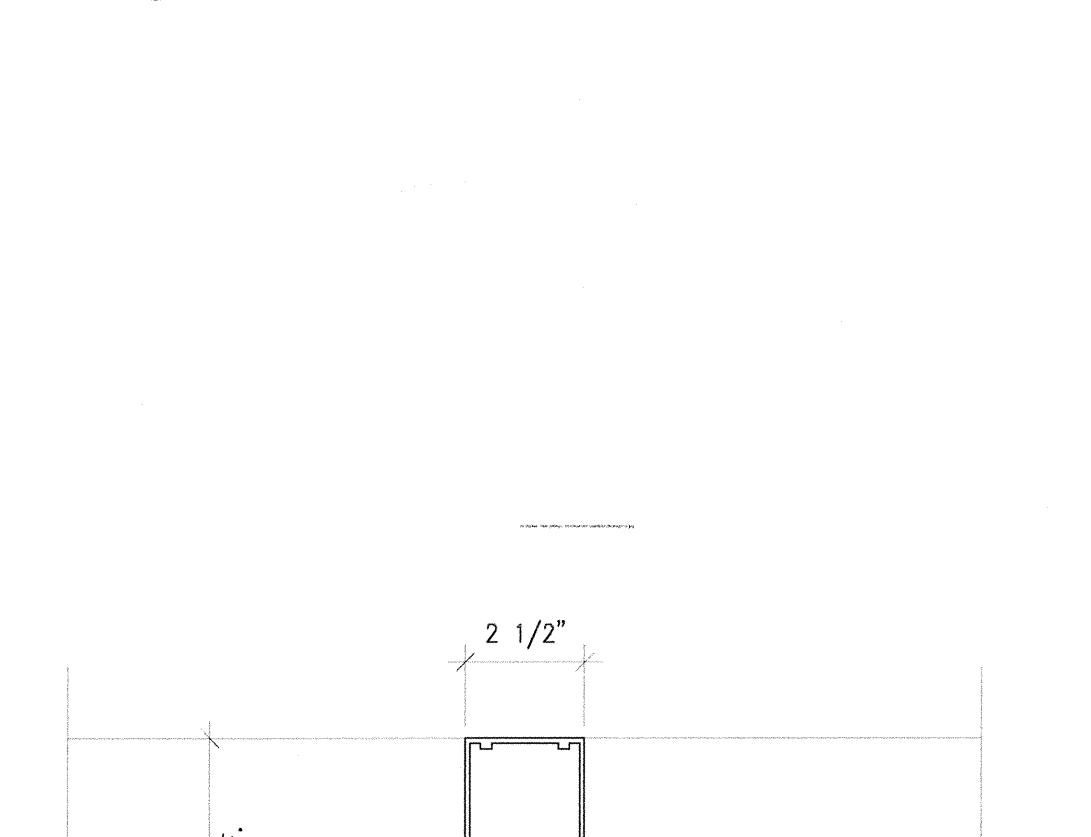
19 HEAD DETAIL
3" = 1'-0"



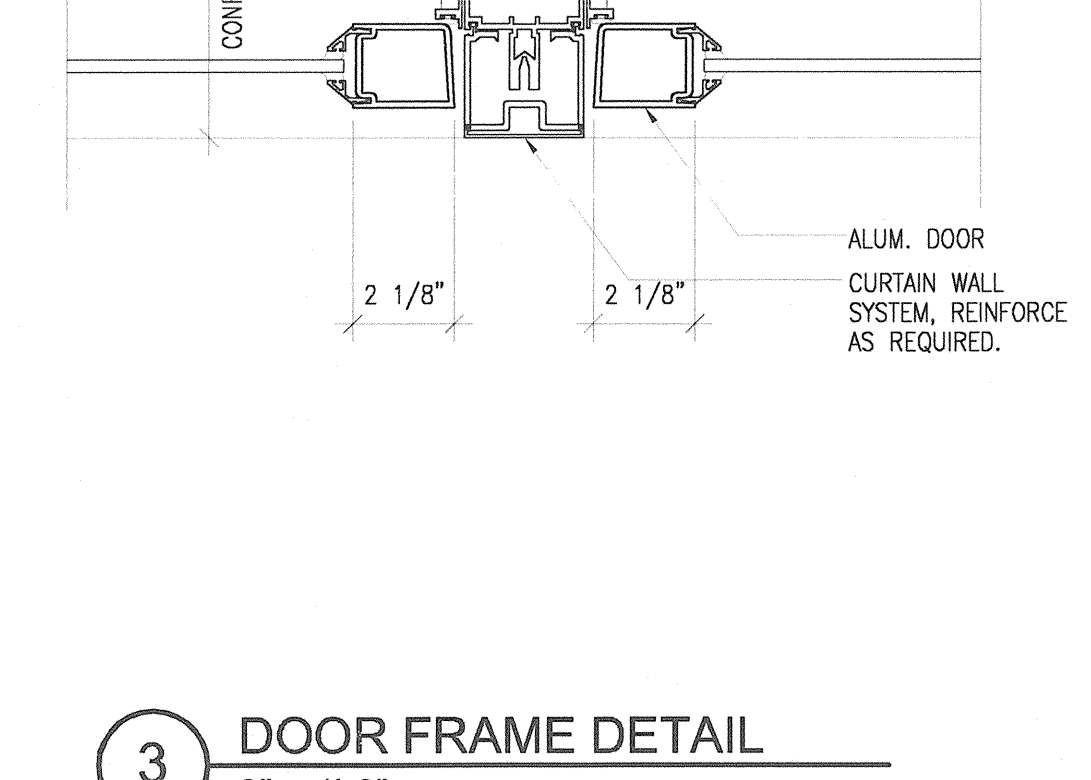
11 HEAD DETAIL
3" = 1'-0"



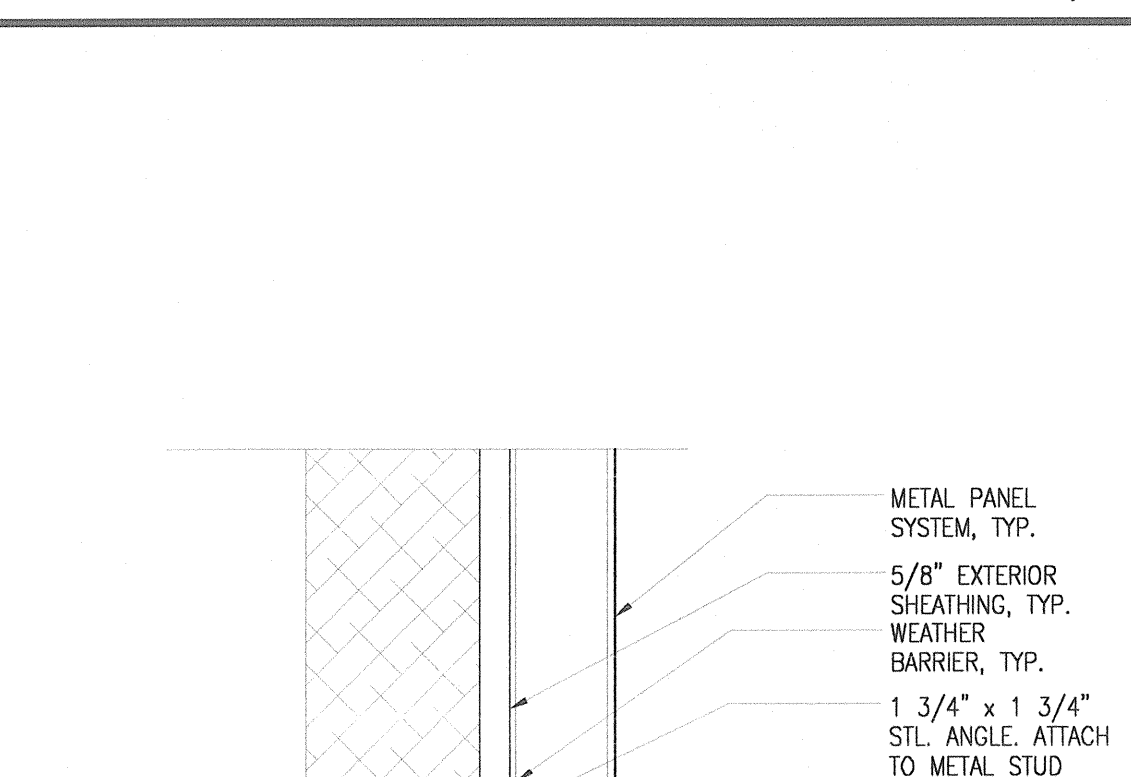
13 HEAD DETAIL
3" = 1'-0"



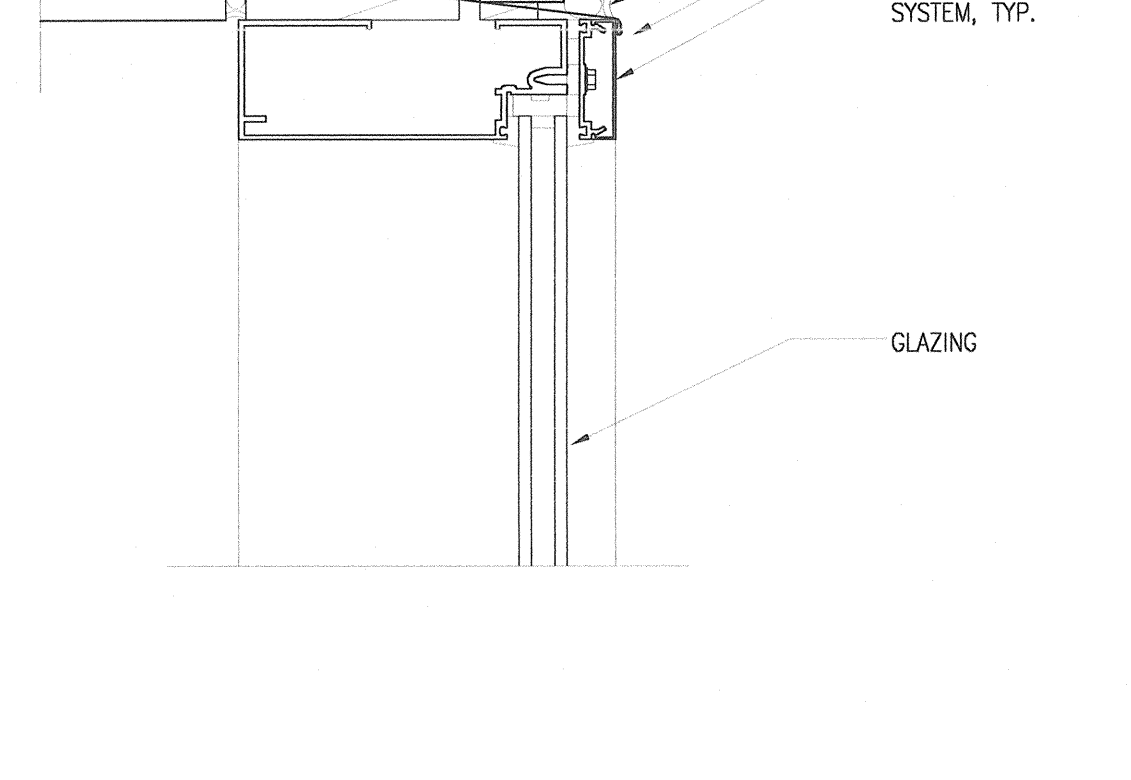
4 DOOR FRAME DETAIL
3" = 1'-0"



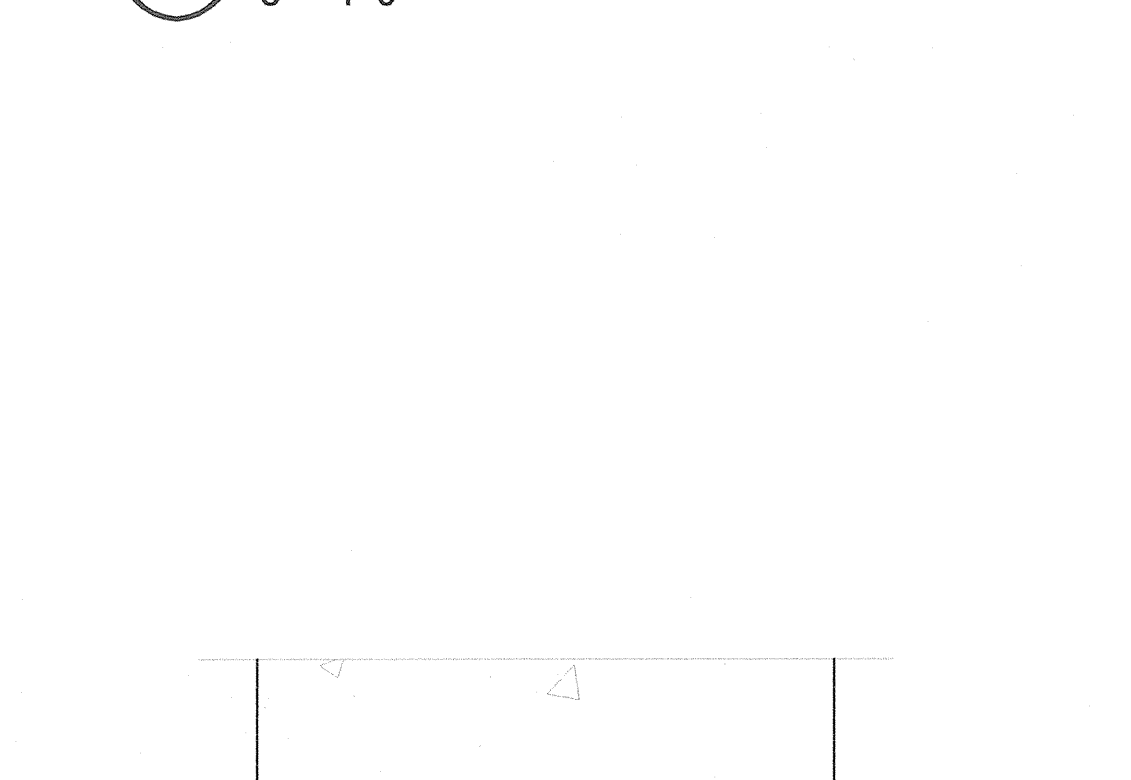
3 DOOR FRAME DETAIL
3" = 1'-0"



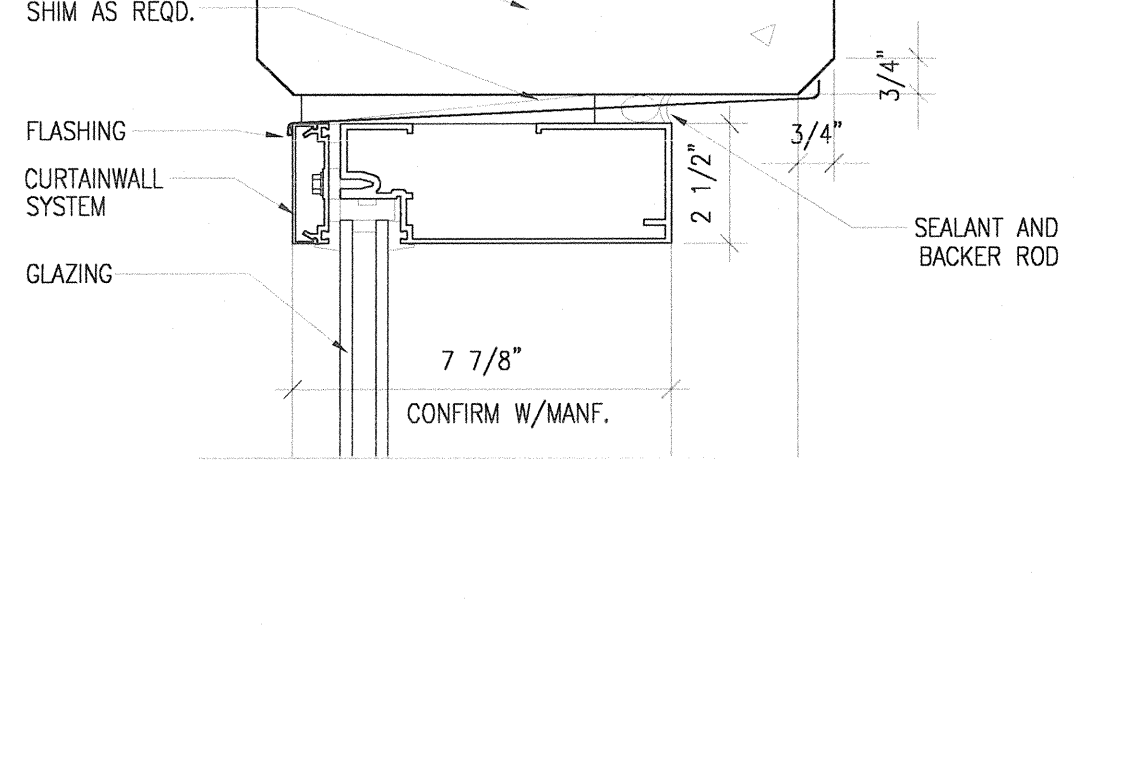
20 INTERMEDIATE MULLION DETAIL
3" = 1'-0"



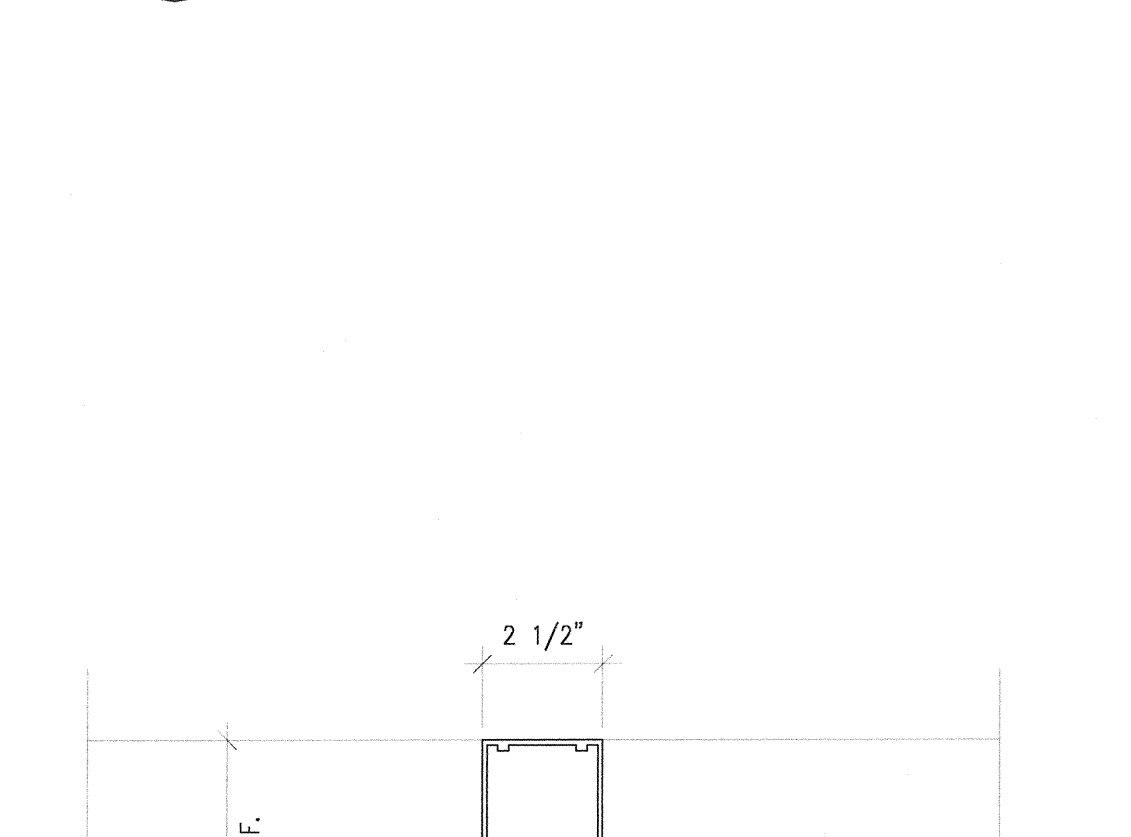
21 INTERMEDIATE MULLION DETAIL
3" = 1'-0"



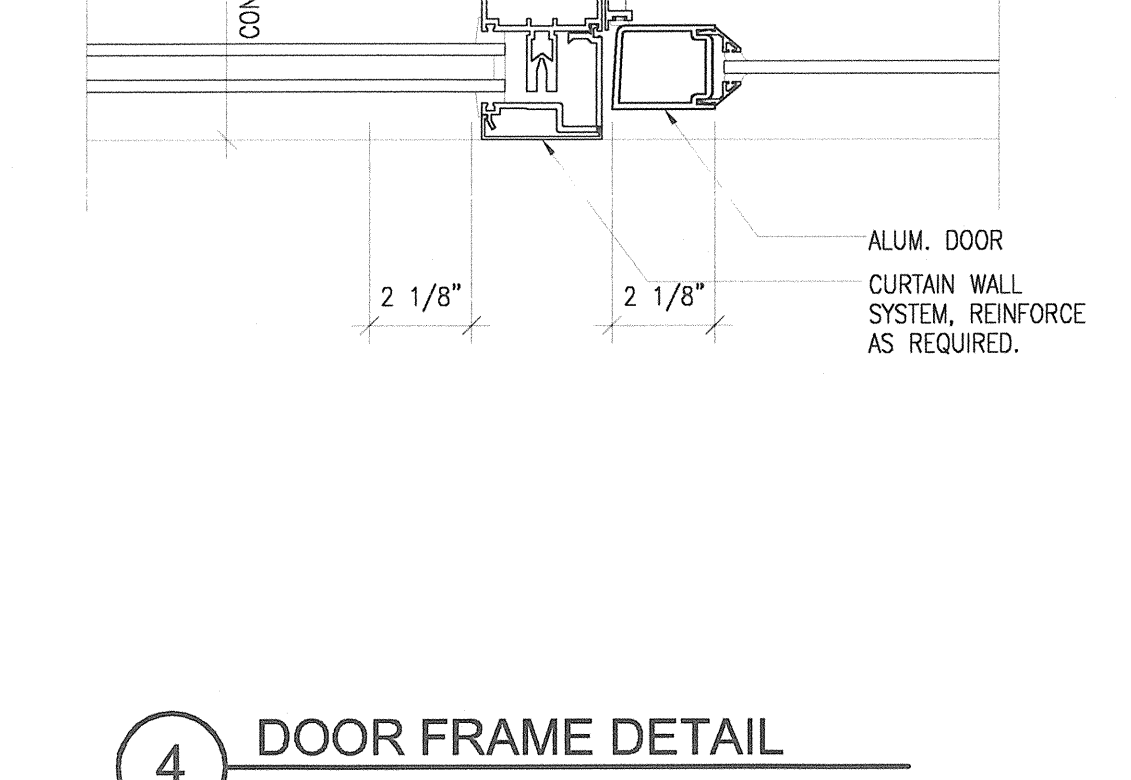
12 JAMB DETAIL
3" = 1'-0"



14 JAMB DETAIL
3" = 1'-0"



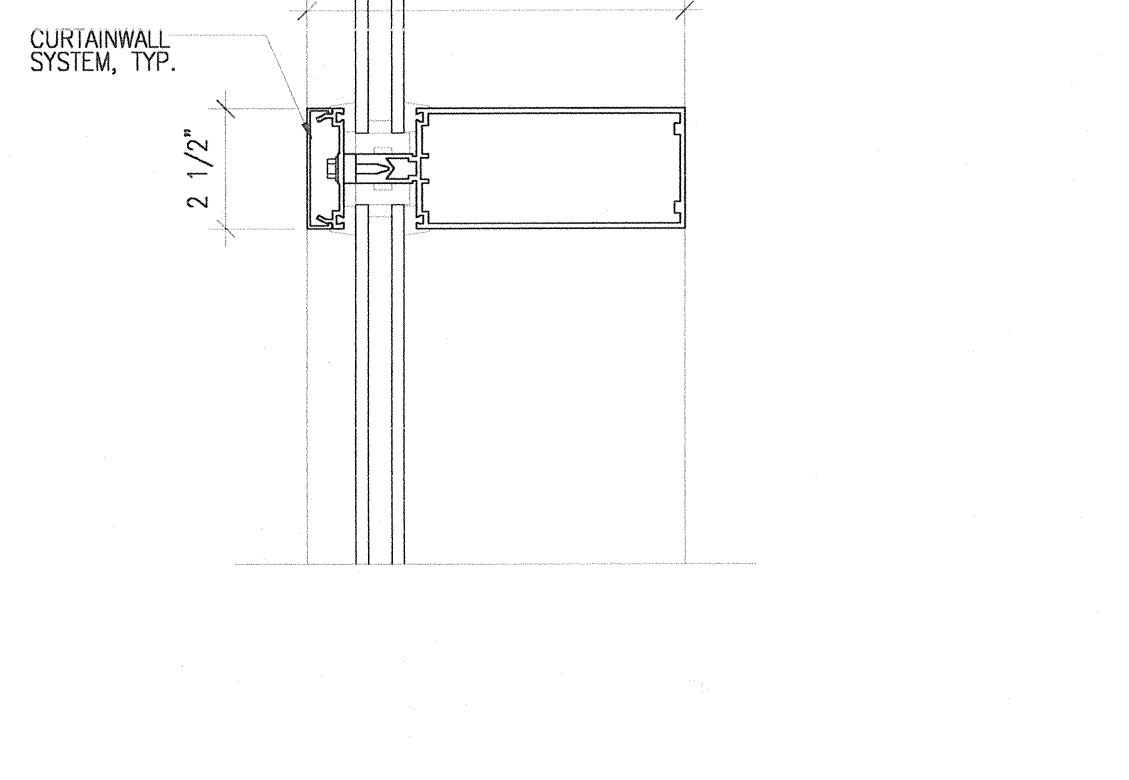
6 DOOR HEAD DETAIL
3" = 1'-0"



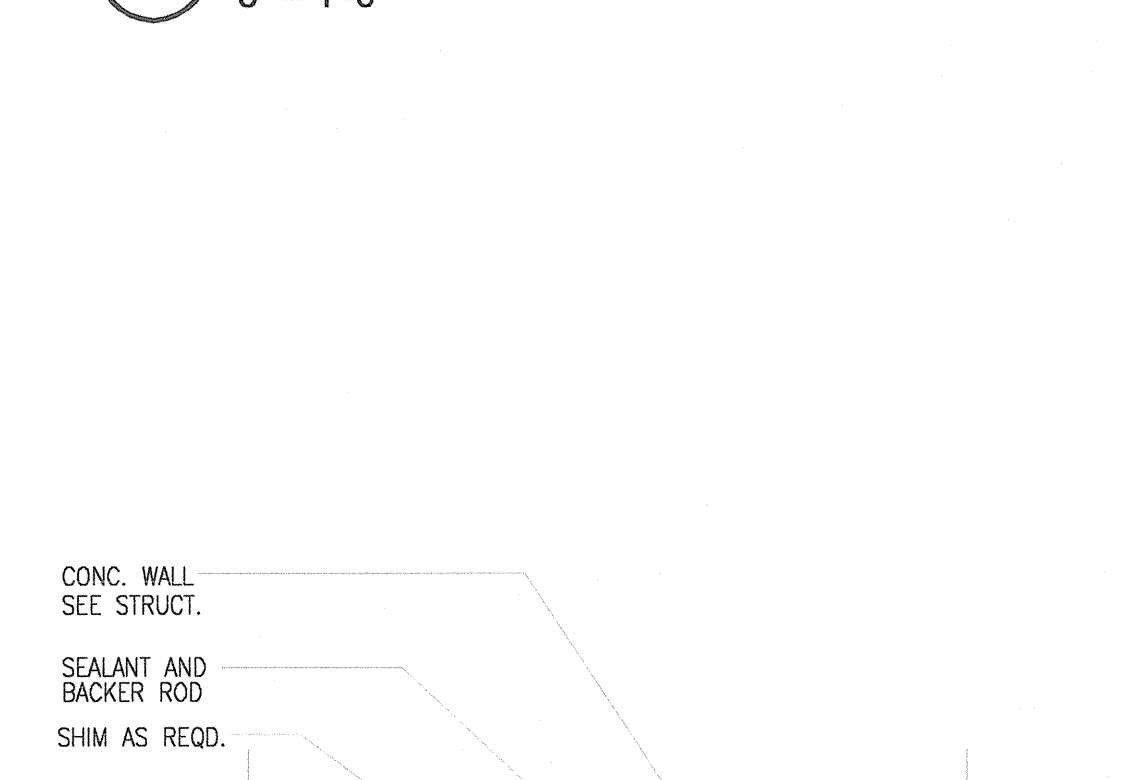
5 DOOR HEAD DETAIL
3" = 1'-0"



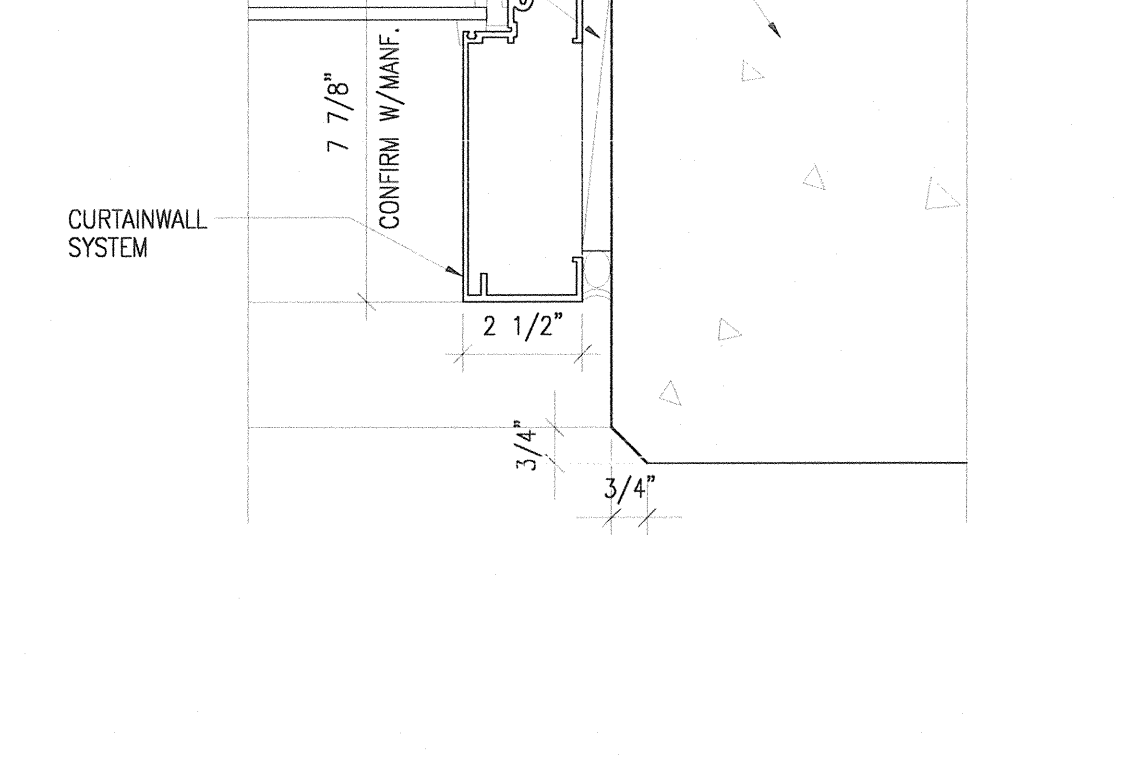
22 INTERMEDIATE MULLION DETAIL
3" = 1'-0"



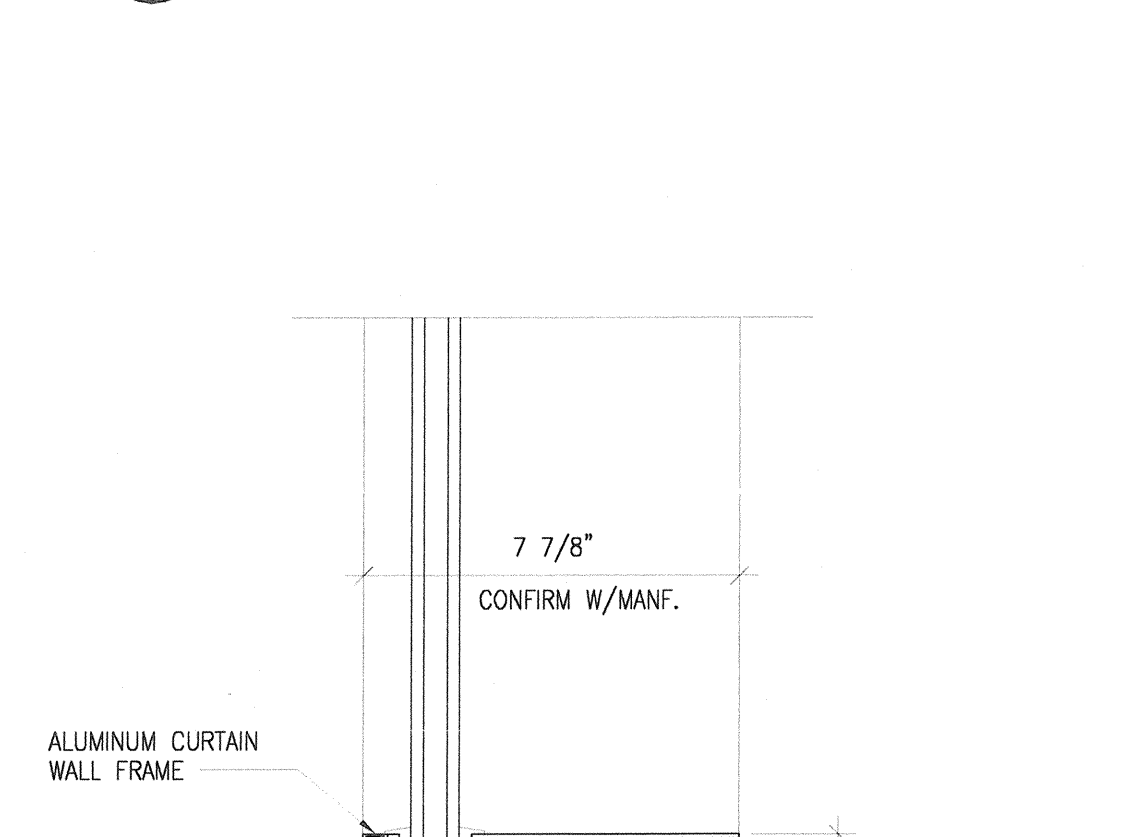
23 INTERMEDIATE MULLION DETAIL
3" = 1'-0"



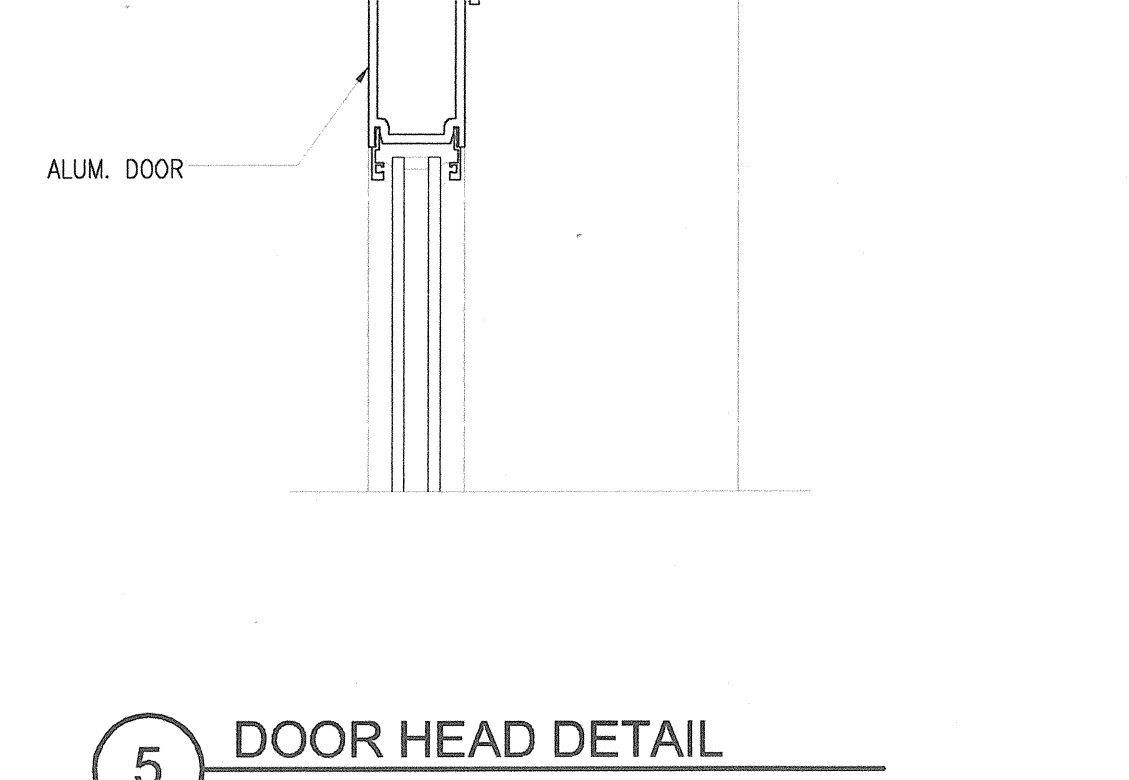
15 JAMB DETAIL
3" = 1'-0"



16 SILL DETAIL
3" = 1'-0"



17 INTERMEDIATE MULLION DETAIL
3" = 1'-0"



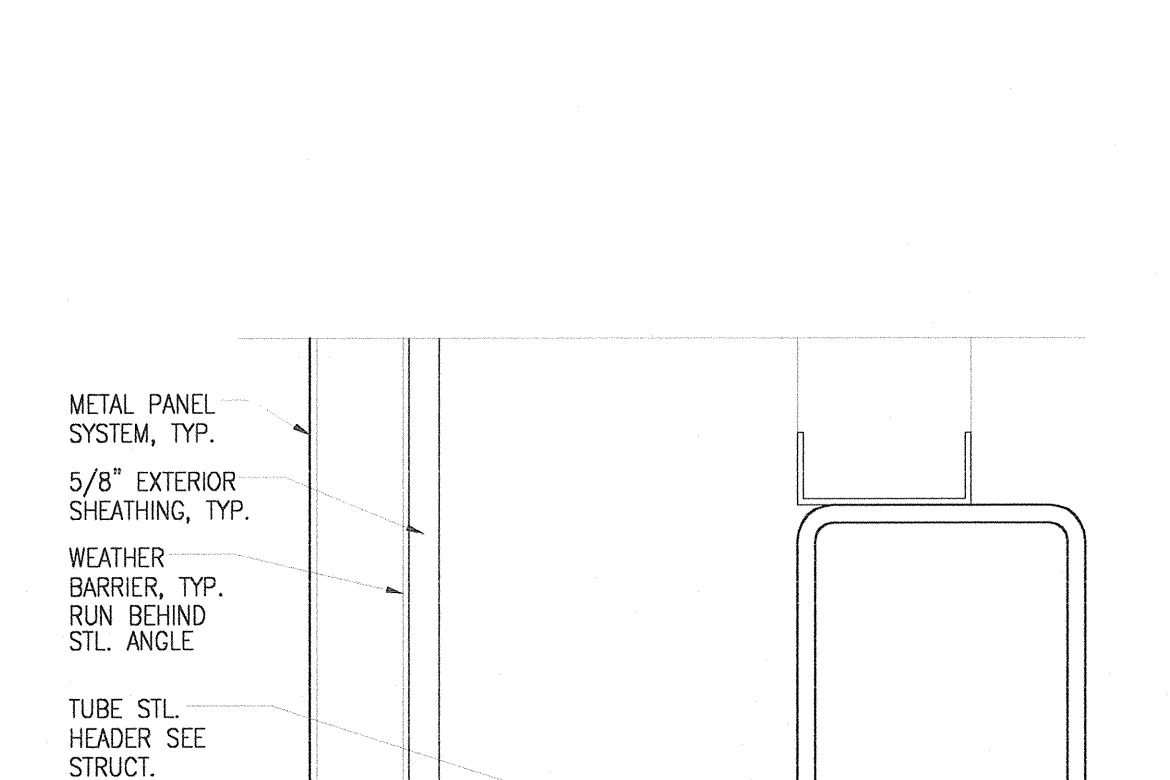
18 HEAD DETAIL
3" = 1'-0"



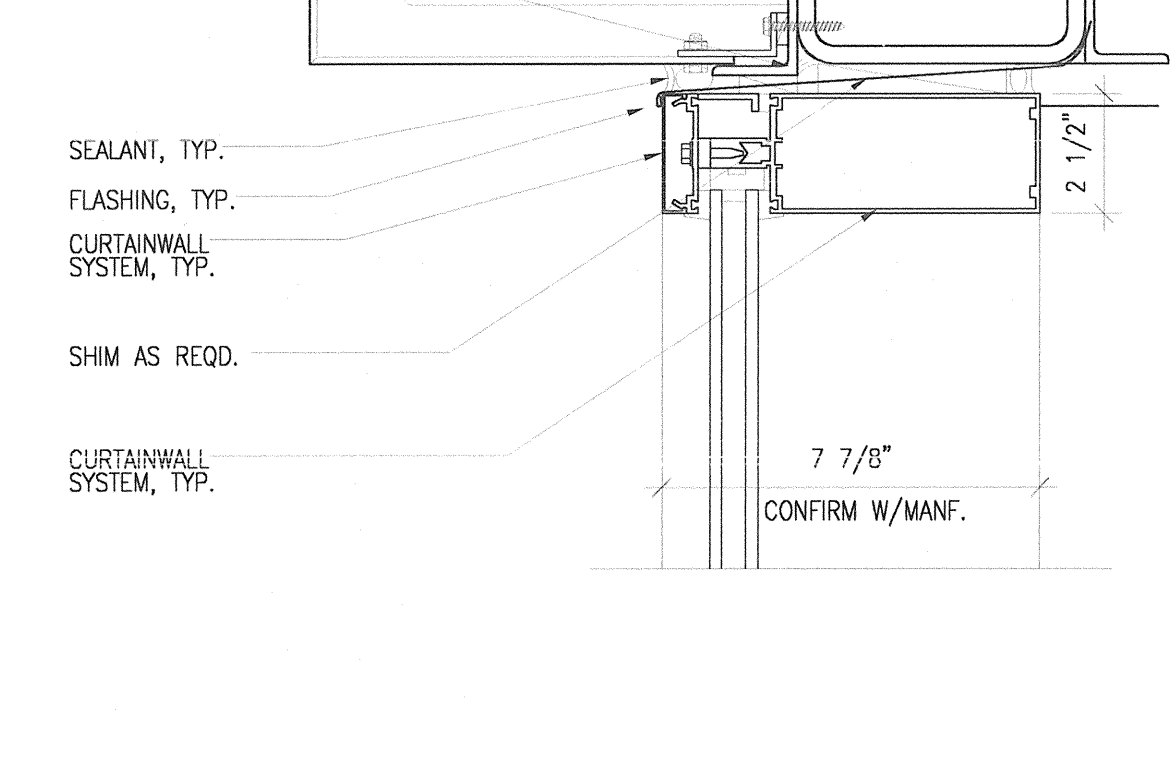
19 HEAD DETAIL
3" = 1'-0"



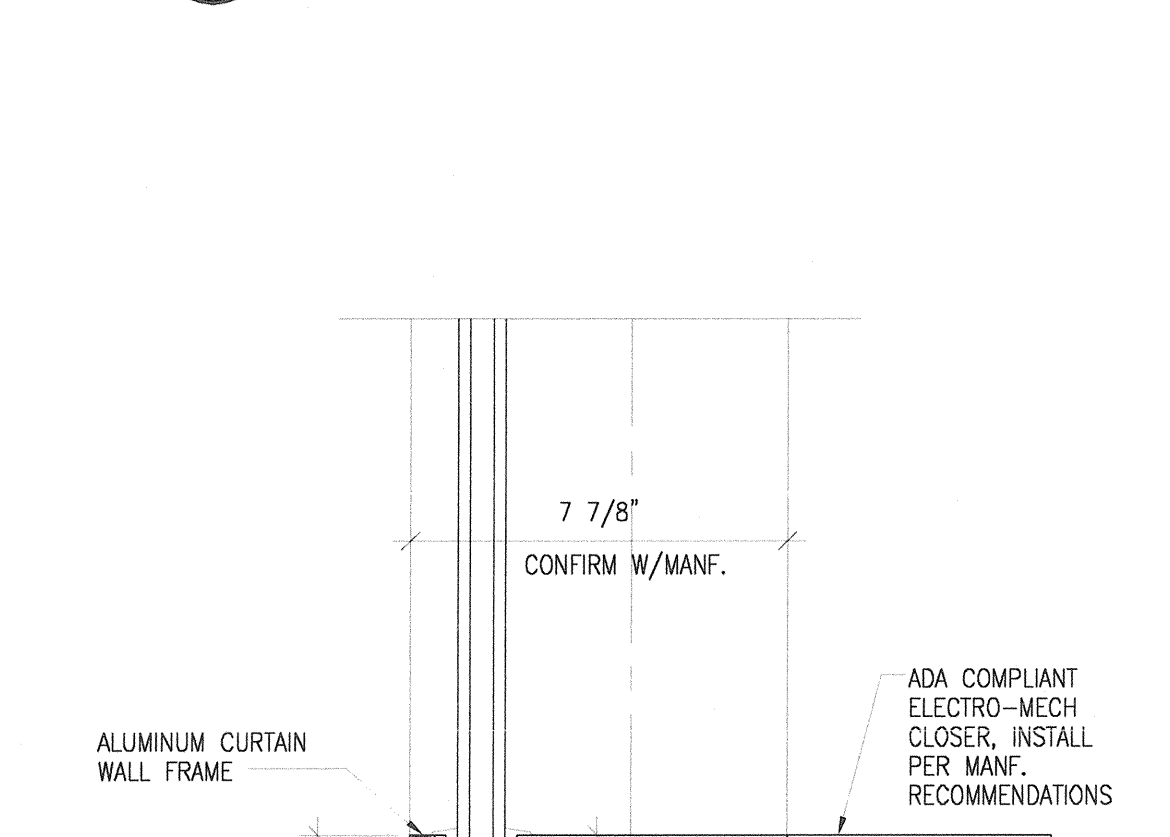
20 INTERMEDIATE MULLION DETAIL
3" = 1'-0"



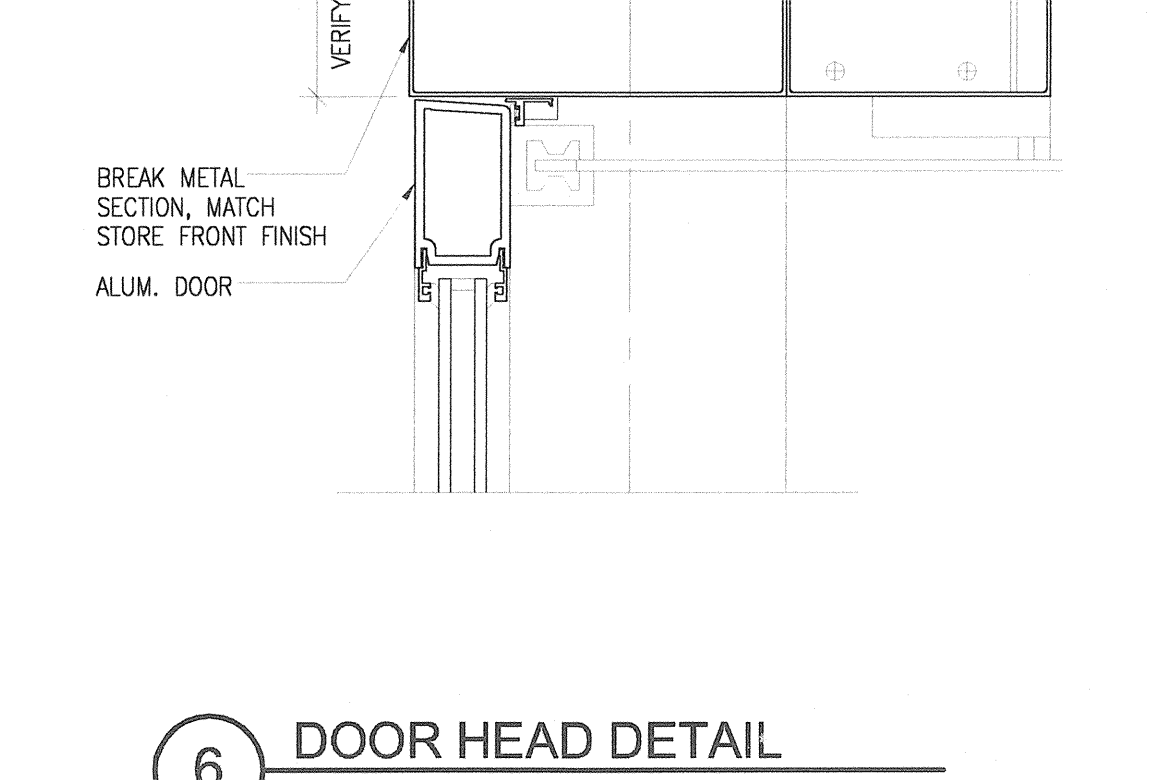
12 JAMB DETAIL
3" = 1'-0"



13 HEAD DETAIL
3" = 1'-0"



6 DOOR HEAD DETAIL
3" = 1'-0"



5 DOOR HEAD DETAIL
3" = 1'-0"