

M.E. RINKER, Sr. HALL
SCHOOL OF BUILDING CONSTRUCTION
 UNIVERSITY OF FLORIDA-GAINESVILLE
 PROJECT NO. BR-191

ARCHITECTS
CROXTON COLLABORATIVE/
GOULD EVANS ASSOCIATES

CROXTON COLLABORATIVE ARCHITECTS
 475 FIFTH AVENUE
 NEW YORK, NY 10017
 TEL 212.683.1998
 FAX 212.683.2799

GOULD EVANS ASSOCIATES
 5405 WEST CYPRESS STREET
 TAMPA, FL 33607
 TEL 813.286.0729
 FAX 813.286.0231

MEDICAL ENGINEERS
LEHR ASSOCIATES

130 WEST 30TH STREET
 NEW YORK, NY 10001-4092
 TEL 212.947.8050
 FAX 212.967.2059

STRUCTURE ENGINEERS
WALTER P. MOORE

201 EAST KENNEDY BOULEVARD
 TAMPA, FL 33602
 TEL 813.221.2424
 FAX 813.221.2269

CIVIL ENGINEERS
BROWN & COLLETT, INC.

3530 NW 43 STREET
 GAINESVILLE, FL 32605
 TEL 352.375.8999
 FAX 352.375.0833

LANDSCAPE ENGINEERS
McCLAIN DESIGN GROUP, INC.

1843 NW 39 DRIVE
 GAINESVILLE, FL 32605
 TEL 352.372.2808
 FAX 352.372.6622

CONSULTANT
SEEGY-BISCH

AUSSERE SULZBACHER STR. 118
 NURNBERG, GERMANY
 TEL 0911/59 90 99
 FAX 0911/59 98 05

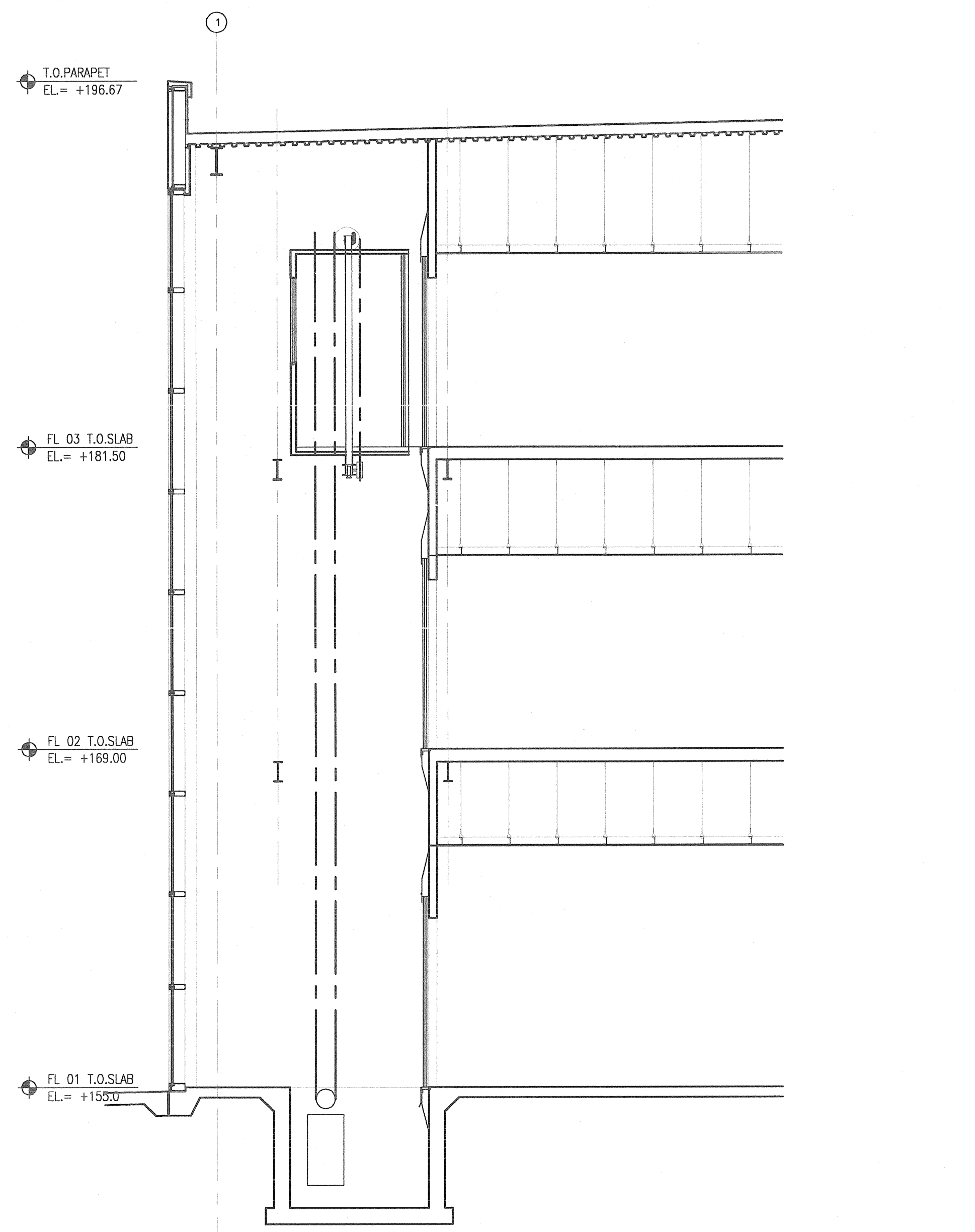
THIS DRAWING, AS AN INSTRUMENT OF SERVICE, IS AND SHALL REMAIN THE PROPERTY OF CROXTON COLLABORATIVE ARCHITECTS. THIS DRAWING SHALL NOT BE REPRODUCED, PUBLISHED, USED ON OTHER PROJECTS, USED FOR ADVERTISEMENTS, OR USED IN COMPLETION OF THIS PROJECT BY OTHERS EXCEPT BY AGREEMENT IN WRITING. © 2001 CROXTON COLLABORATIVE ARCHITECTS/GOULD EVANS ASSOCIATES.

NO. / DATE / REVISION DATE

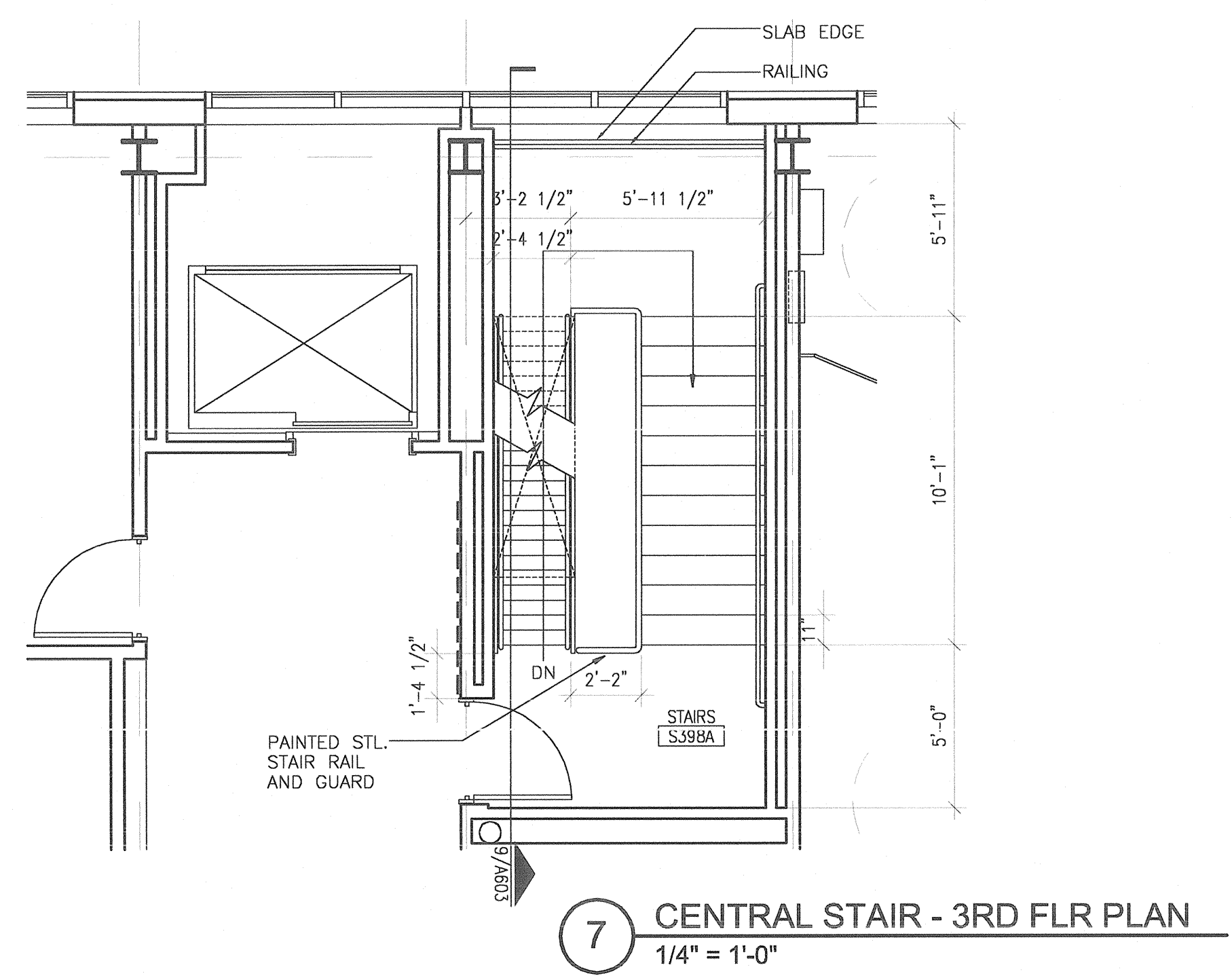
100% CONSTRUCTION DOCUMENTS

DRAWING NAME
STAIR & ELEVATOR ENLG PLAN & SECTIONS

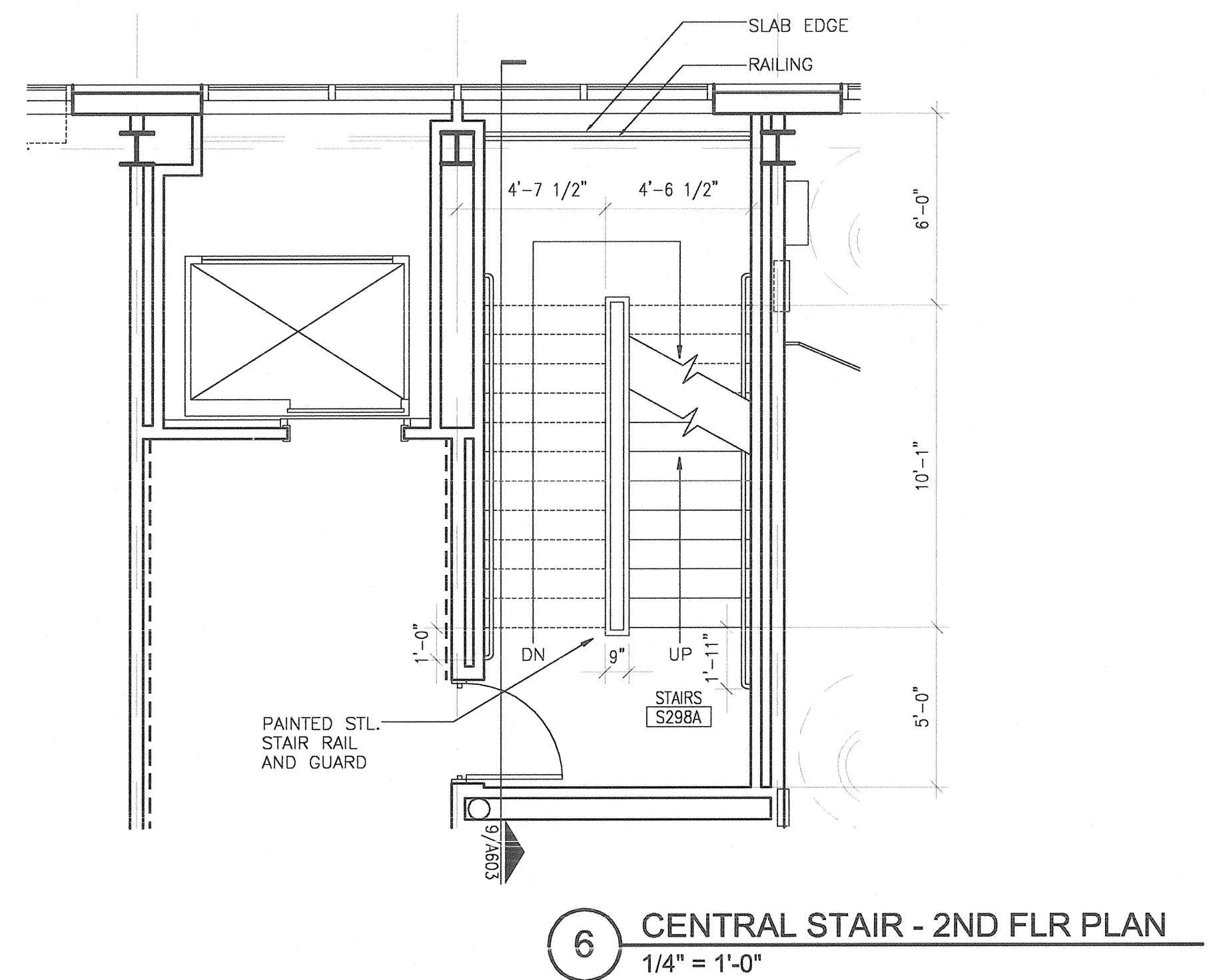
DATE 11/21/01
 SCALE 1/4" = 1'-0" **A603**
 DRAWN BY/CHECKED BY MM/JRae



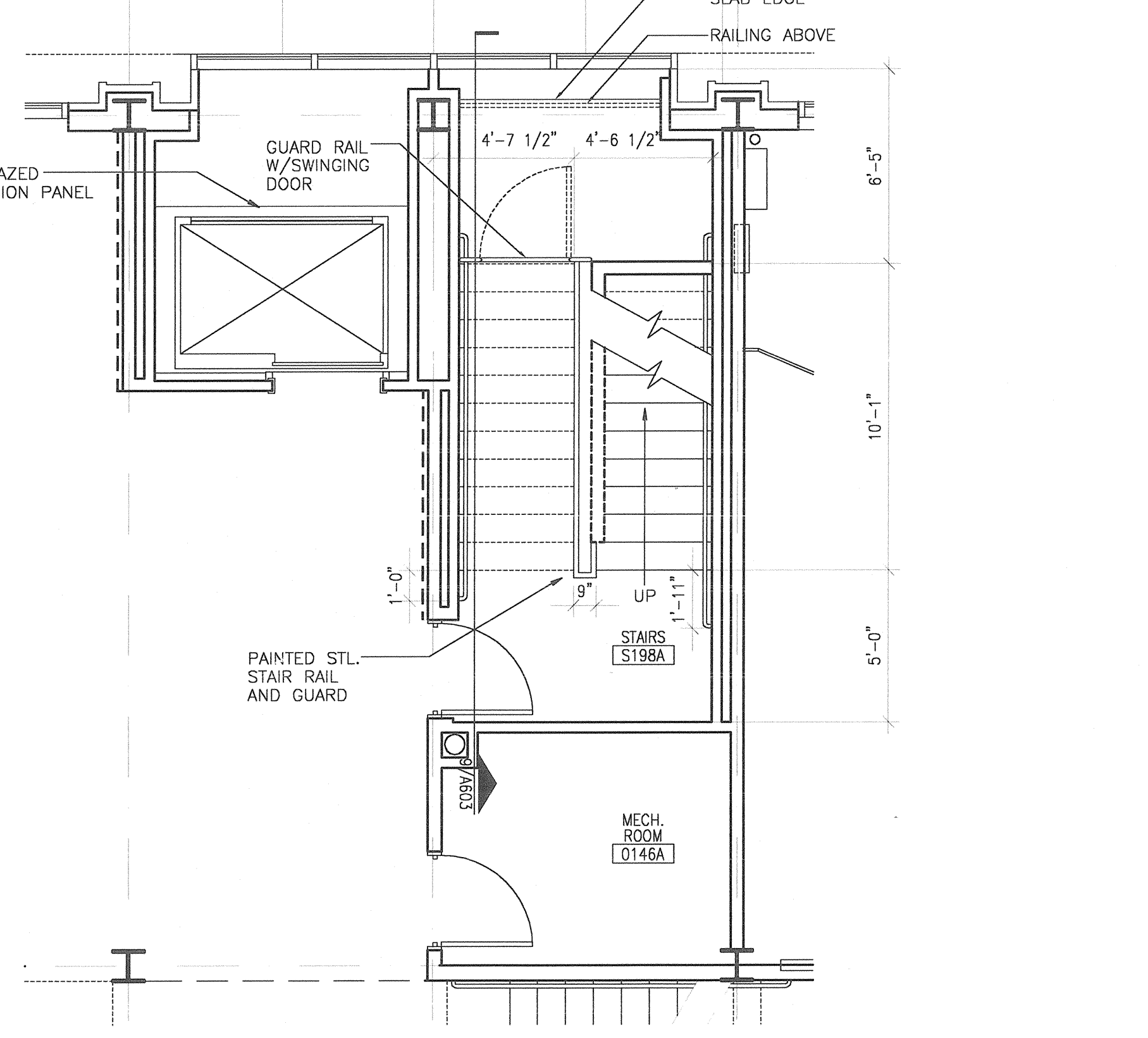
9 ELEVATOR SECTION
 1/4" = 1'-0"



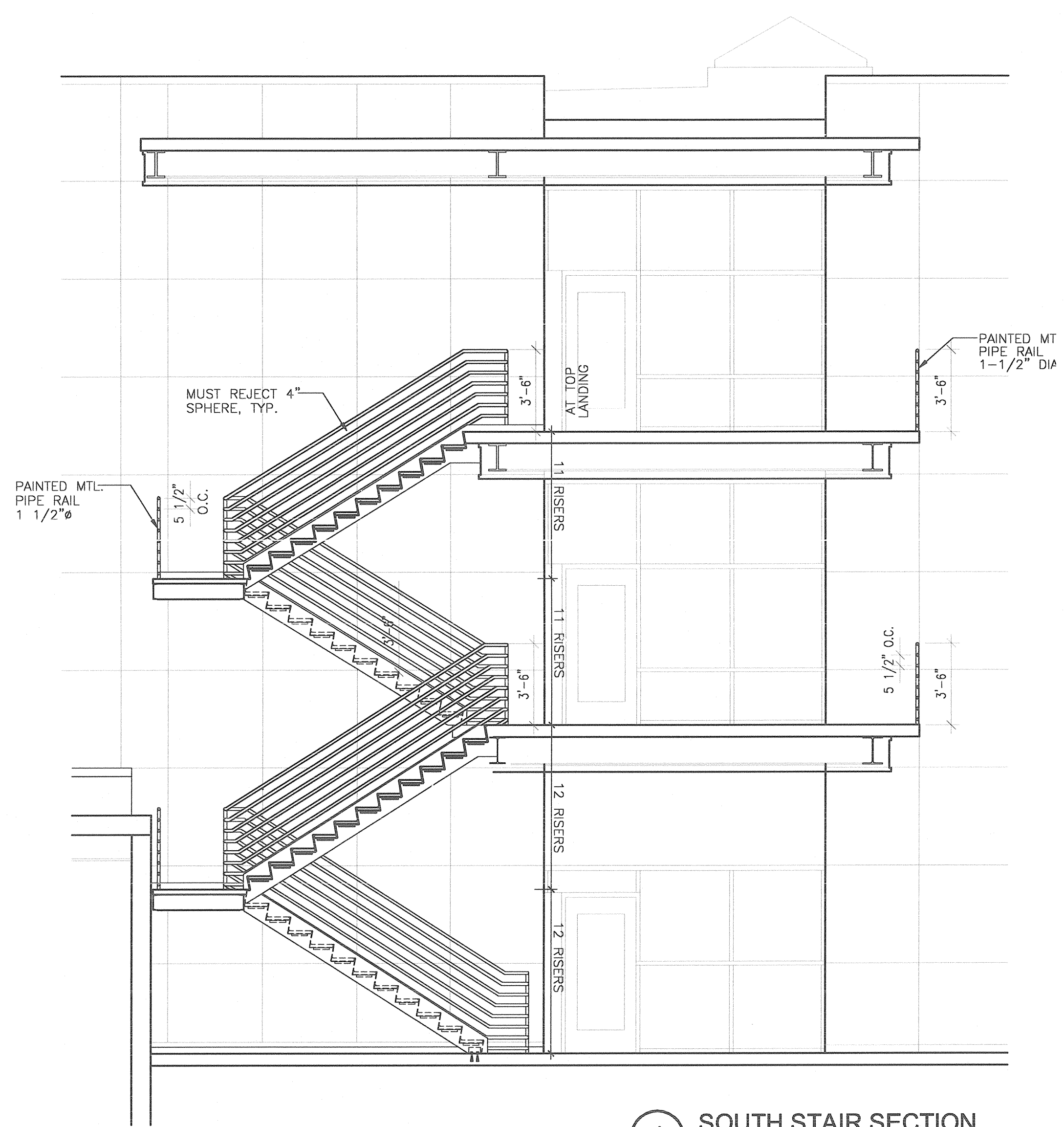
7 CENTRAL STAIR - 3RD FLR PLAN
 1/4" = 1'-0"



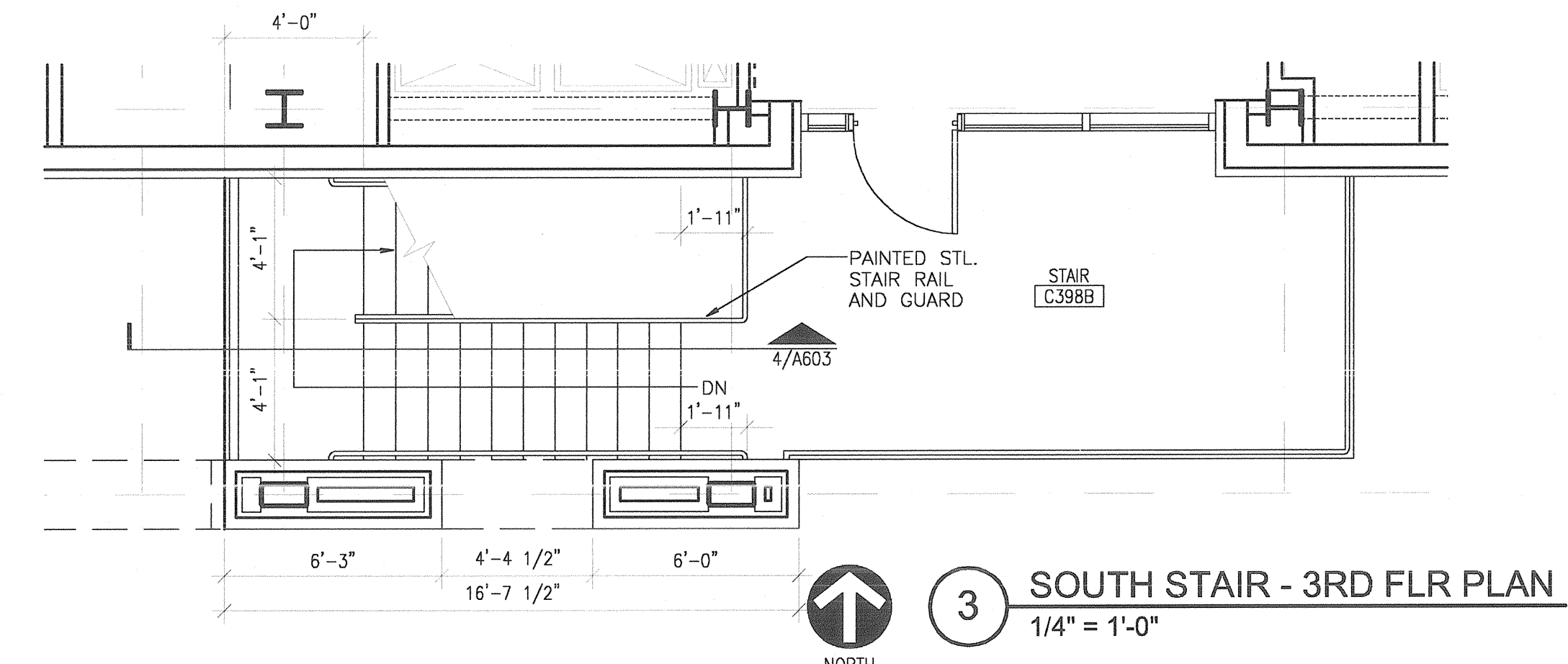
6 CENTRAL STAIR - 2ND FLR PLAN
 1/4" = 1'-0"



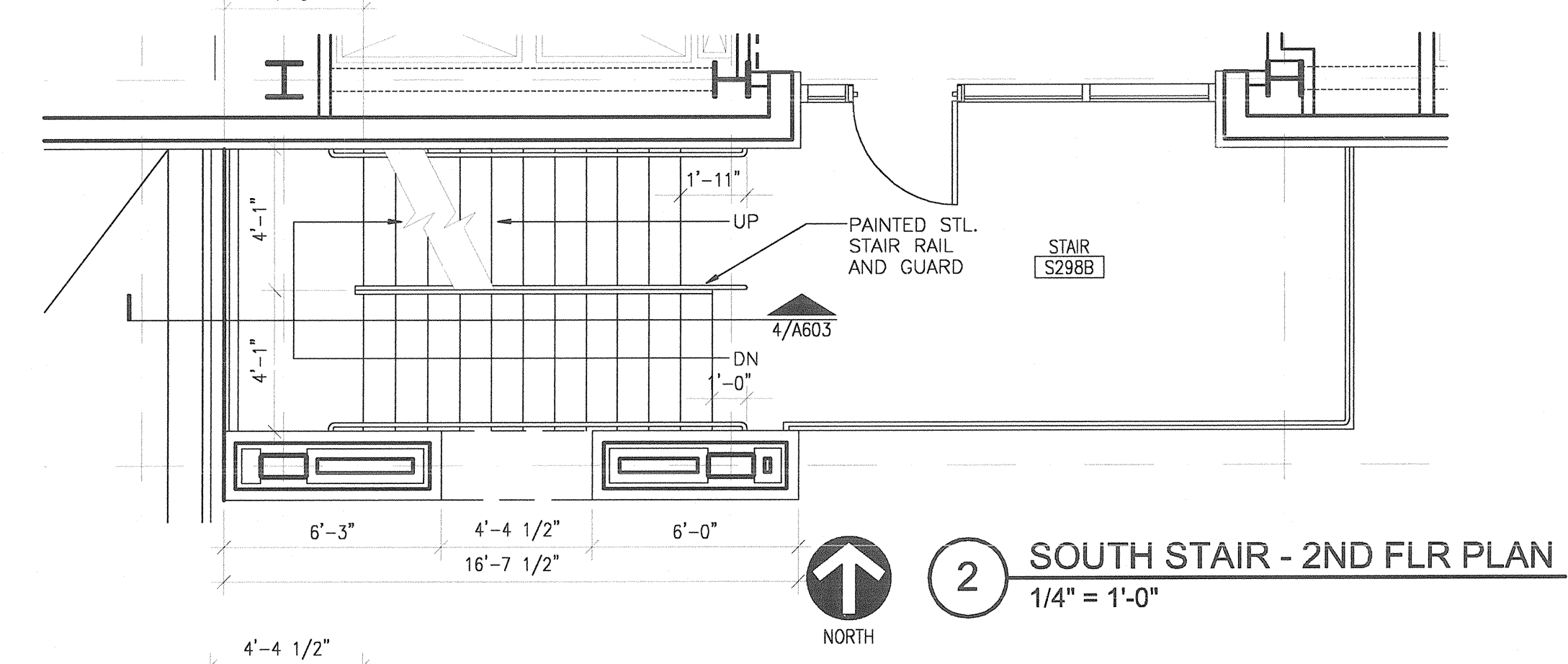
5 CENTRAL STAIR - 1ST FLR PLAN
 1/4" = 1'-0"



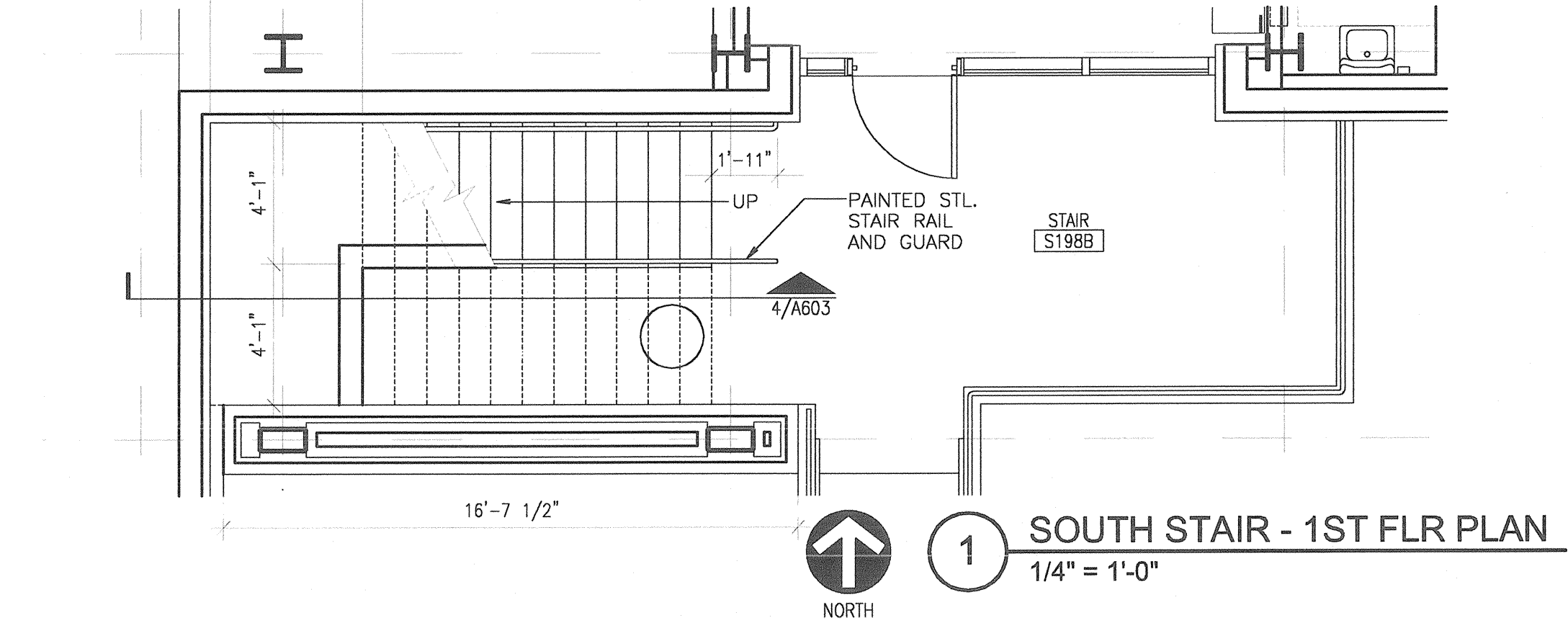
4 SOUTH STAIR SECTION
 1/4" = 1'-0"



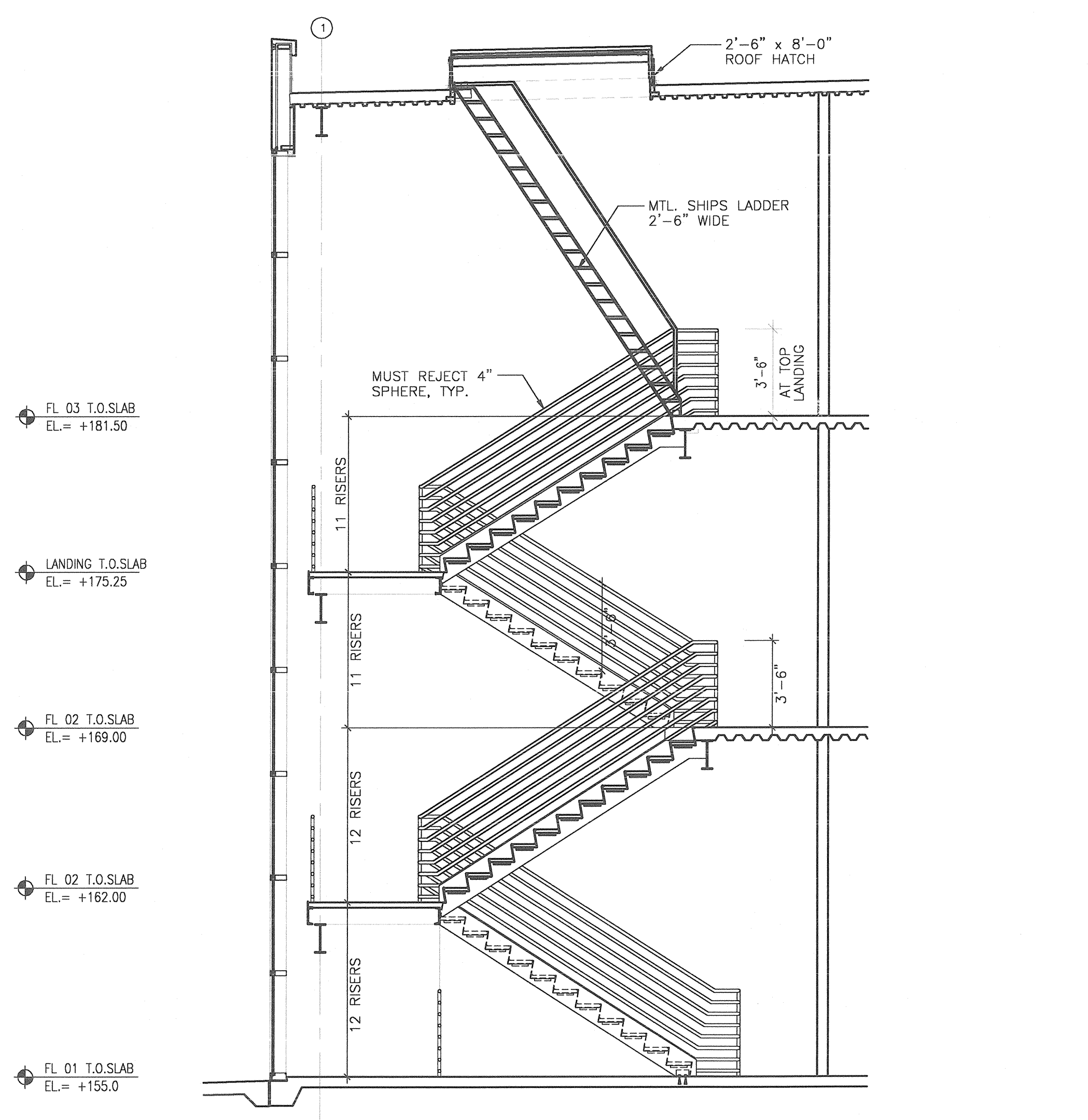
3 SOUTH STAIR - 3RD FLR PLAN
 1/4" = 1'-0"



2 SOUTH STAIR - 2ND FLR PLAN
 1/4" = 1'-0"



1 SOUTH STAIR - 1ST FLR PLAN
 1/4" = 1'-0"



8 CENTRAL STAIR - SECTION
 1/4" = 1'-0"