

M.E. RINKER, Sr. HALL
SCHOOL OF BUILDING CONSTRUCTION

UNIVERSITY OF FLORIDA-GAINESVILLE
PROJECT NO. BR-191

ARCHITECTS
CROXTON COLLABORATIVE/
GOULD EVANS ASSOCIATES

CROXTON COLLABORATIVE ARCHITECTS
475 FIFTH AVENUE
NEW YORK, NY 10017
TEL. 212.683.1988
FAX 212.683.2799

GOULD EVANS ASSOCIATES
5405 WEST CYPRESS STREET
TAMPA, FL 33607
TEL. 813.288.0729
FAX 813.288.0231

MECHANICAL ENGINEERS
LEHR ASSOCIATES
130 WEST 30TH STREET
NEW YORK, NY 10001-4092
TEL. 212.947.8050
FAX 212.967.2059

STRUCTURAL ENGINEERS
WALTER P. MOORE
201 EAST KENNEDY BOULEVARD
TAMPA, FL 33602
TEL. 813.221.2424
FAX 813.221.2289

CIVIL ENGINEERS
BROWN & CULLEN, INC.
3530 NW 43 STREET
GAINESVILLE, FL 32605
TEL. 352.375.8959
FAX 352.375.0833

LANDSCAPE ENGINEERS
MCCLAIN DESIGN GROUP, INC.
1843 NW 39 DRIVE
GAINESVILLE, FL 32605
TEL. 352.372.2808
FAX 352.372.6822

CONSULTANT
SEEGBY-BISCH
AUSSERE SULZBACHER STR. 118
NURNBERG, GERMANY
TEL. 0911/59 90 99
FAX 0911/59 98 05

THIS DRAWING, AS AN INSTRUMENT OF SERVICE, IS AND SHALL REMAIN THE PROPERTY OF CROXTON COLLABORATIVE ARCHITECTS. THIS DRAWING SHALL NOT BE REPRODUCED, PUBLISHED, USED ON OTHER PROJECTS, USED FOR ADDITIONS, OR USED IN COMPLETION OF THIS PROJECT BY OTHERS EXCEPT BY AGREEMENT IN WRITING. © 2001 CROXTON COLLABORATIVE ARCHITECTS/GOULD EVANS ASSOCIATES.

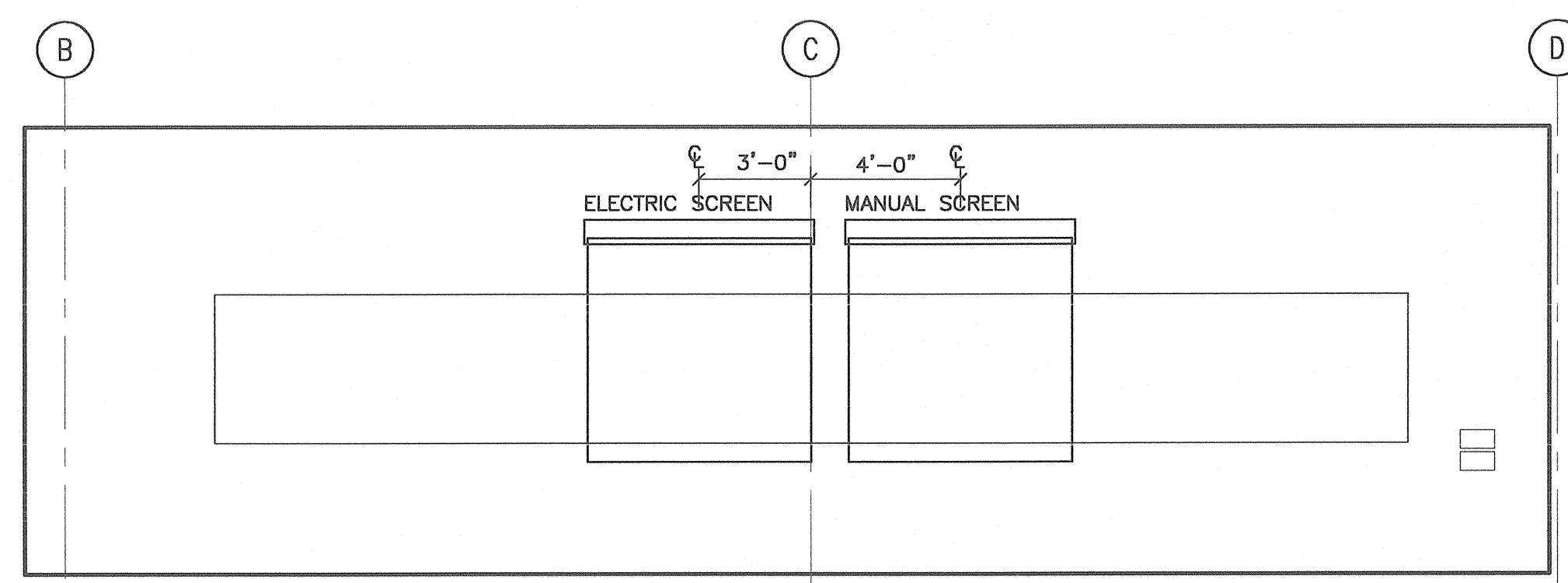
NO. ISSUE/REVISION DATE

100% CONSTRUCTION DOCUMENTS

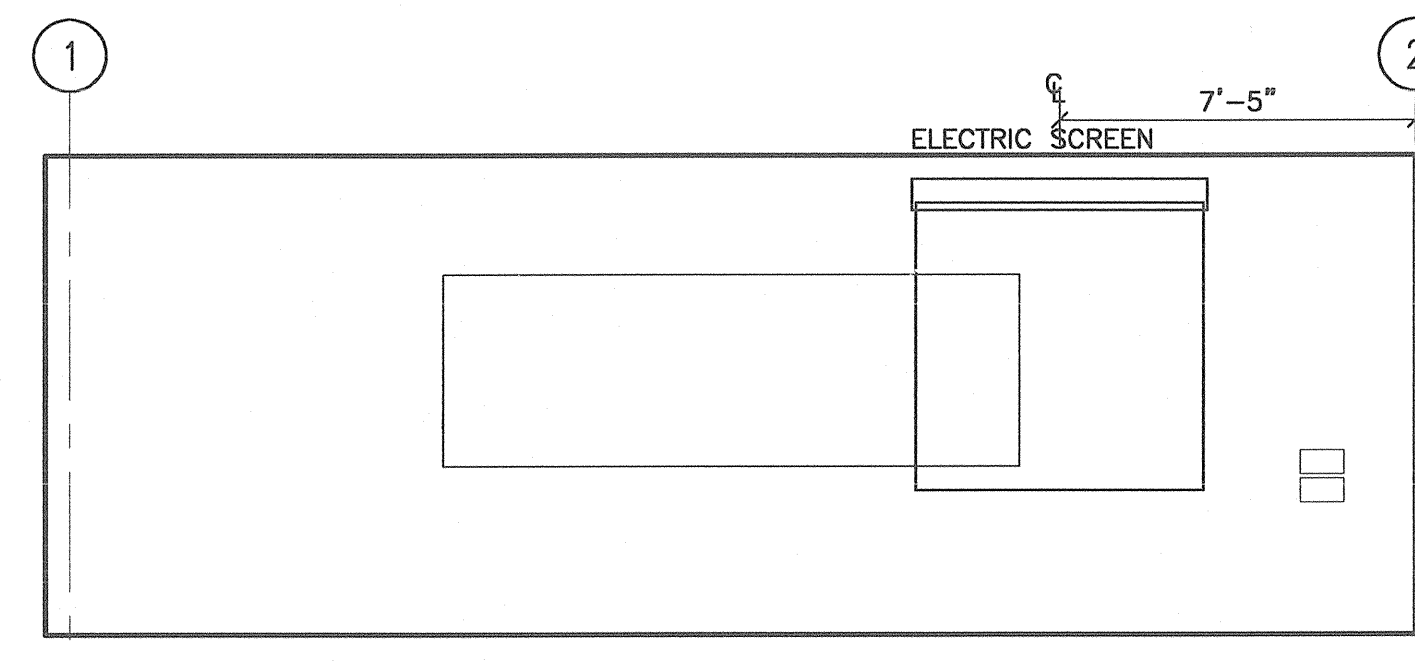
DRAWING NAME
INTERIOR FRONT WALL ELEVATIONS & SECTIONS @ CLASSROOMS

DATE 11.21.01
SCALE 1/4" = 1'-0"
DRAWN BY/DESIGNED BY DLH

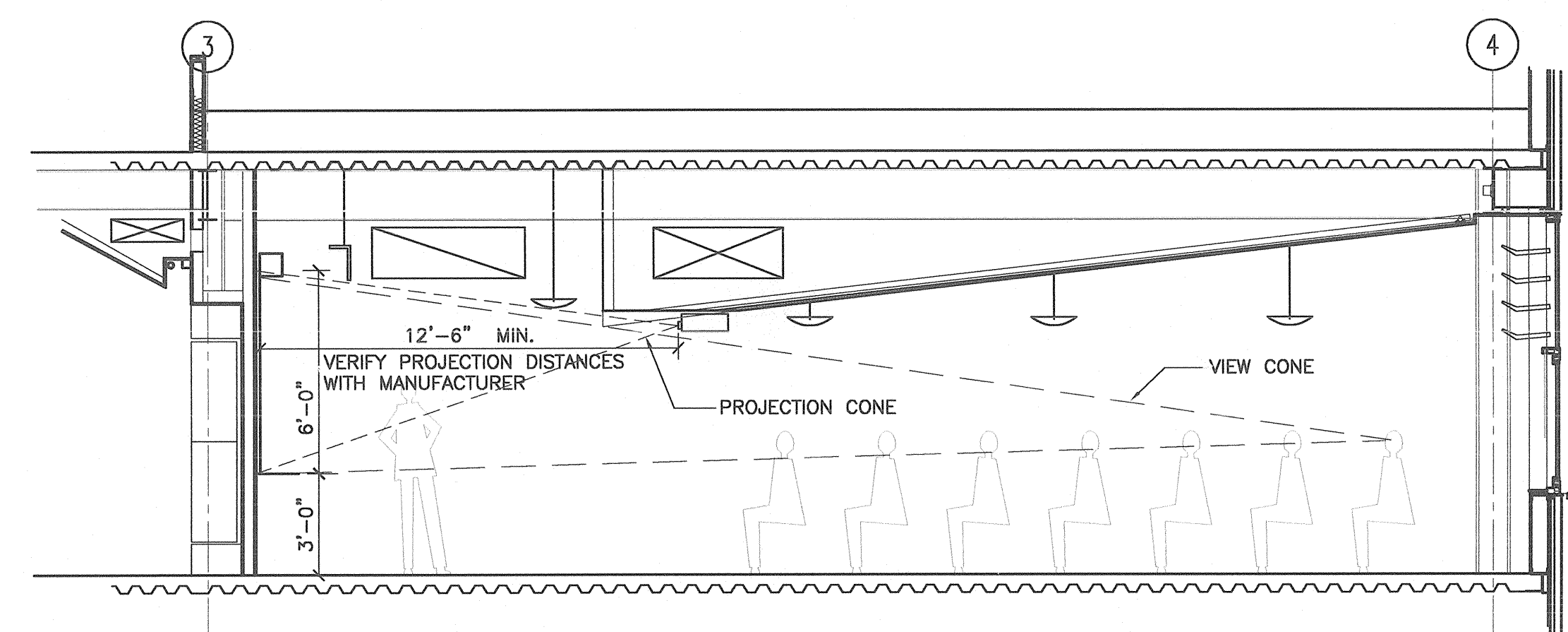
A606



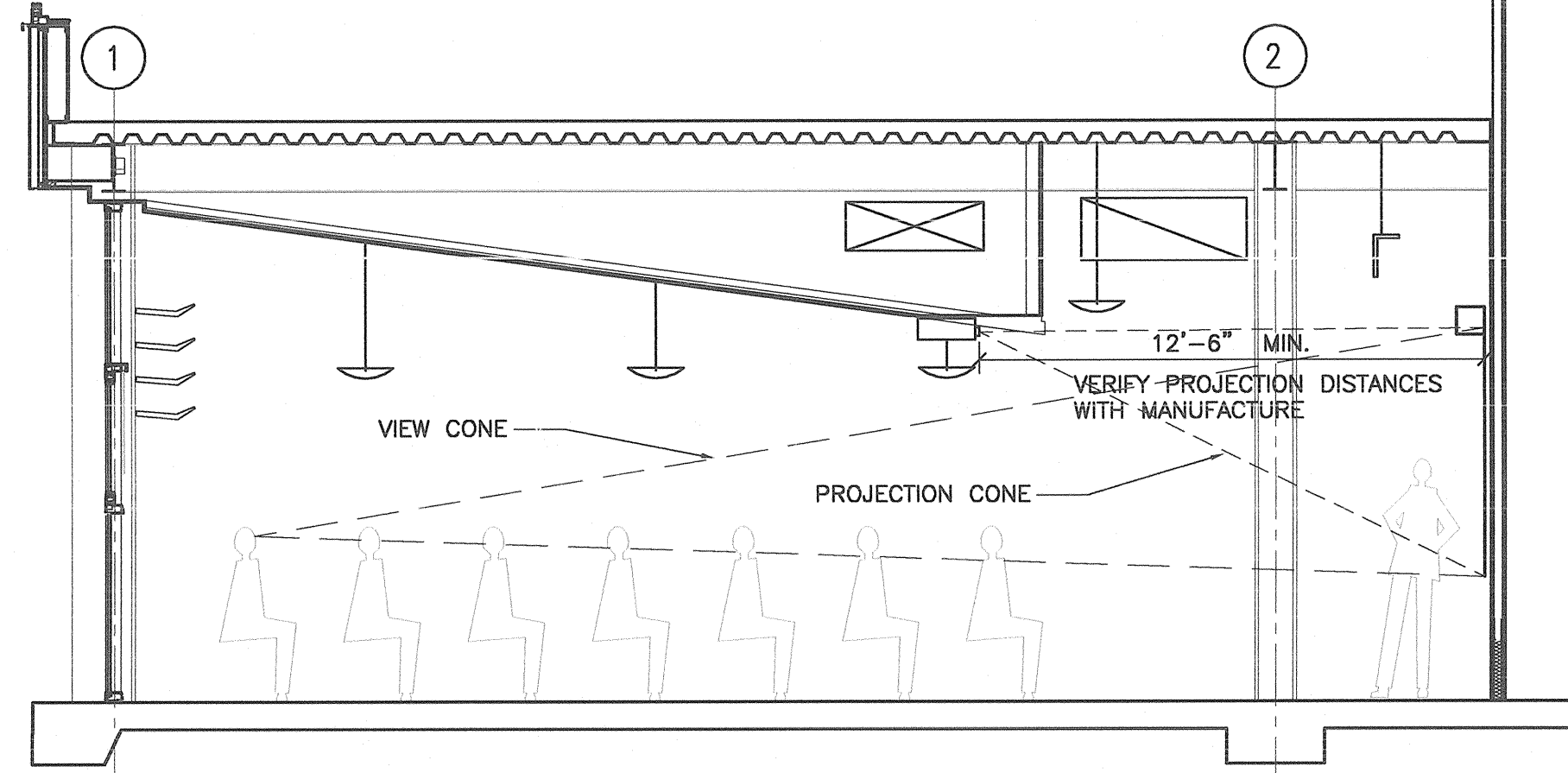
17 INT. ELEVATION @COMPUTER LAB-RM 0206
1/4" = 1'-0"



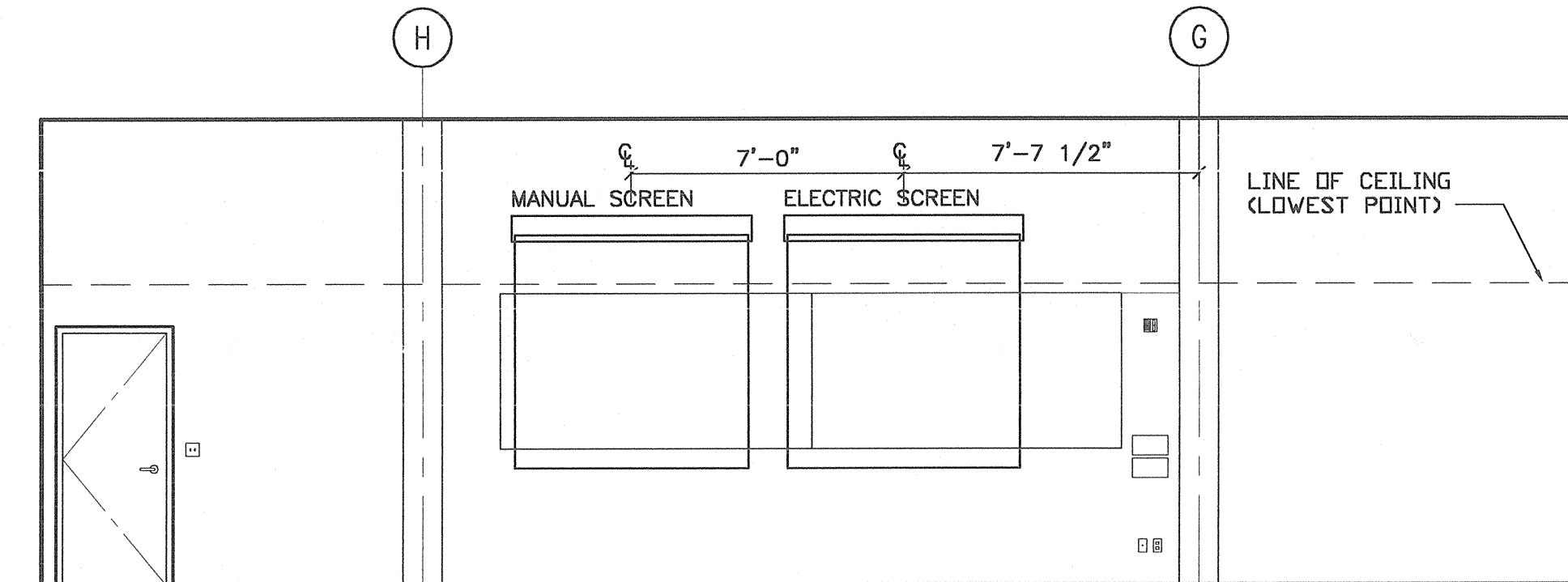
16 INT. ELEVATION @CONFERENCE RM-0303
1/4" = 1'-0"



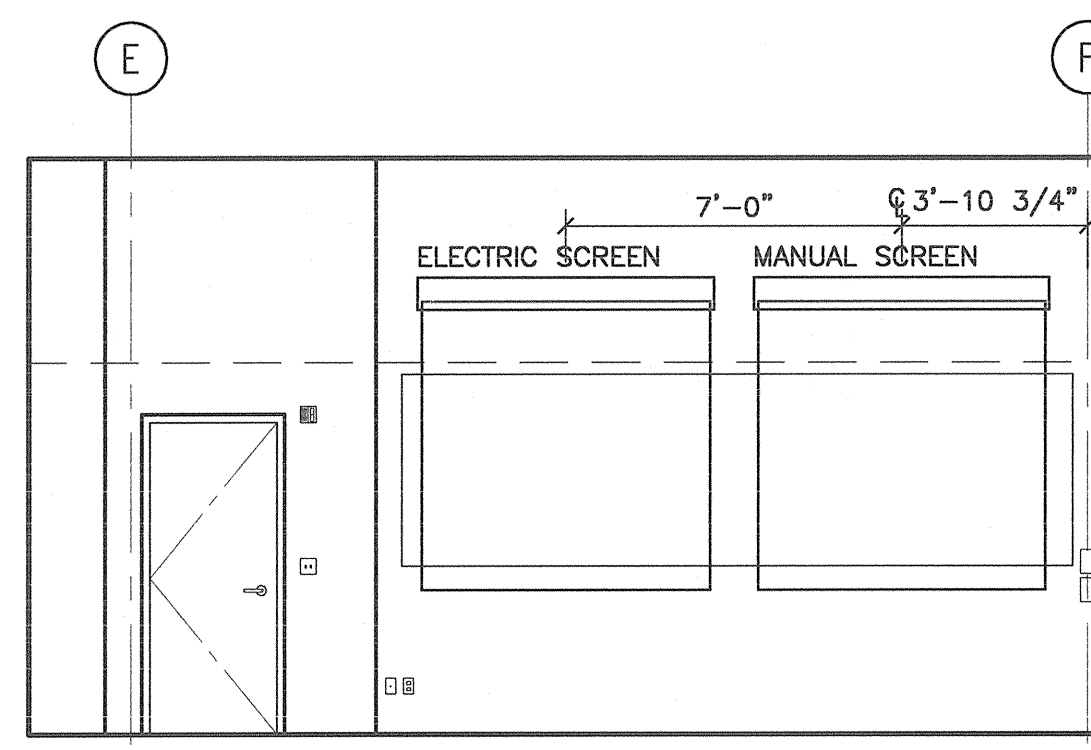
15 SECTION @ MEDIUM CLASSROOM - RM 0225
1/4" = 1'-0"



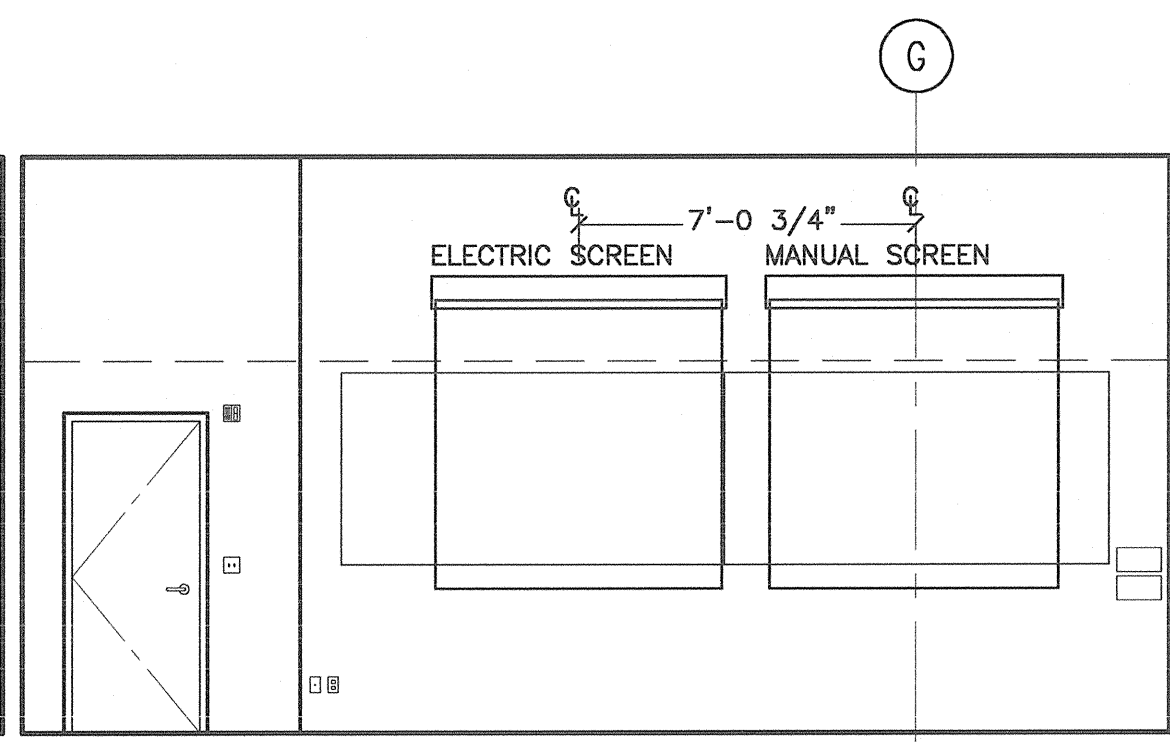
14 SECTION @ STRUCTURE STUDIO - RM 0140
1/4" = 1'-0"



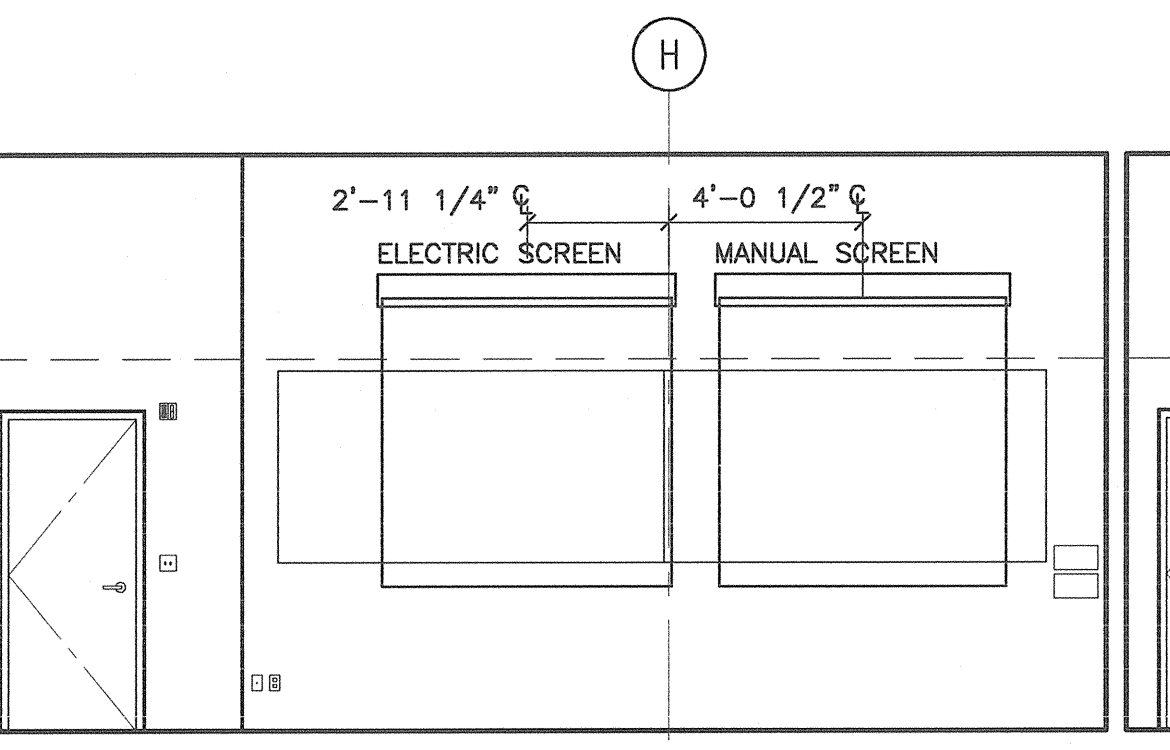
13 INT. ELEVATION @EST./DWG./SCH. - RM 0240
1/4" = 1'-0"



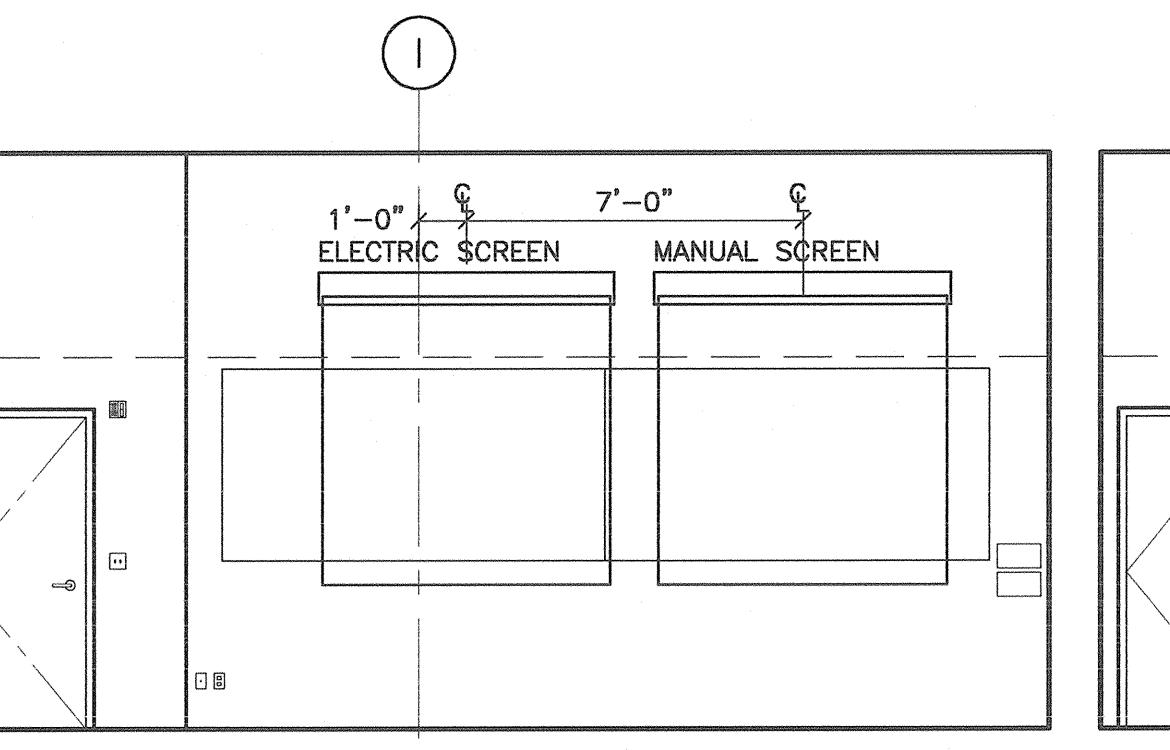
12 INT. ELEVATION @MED. CLASS RM. - RM 0210
1/4" = 1'-0"



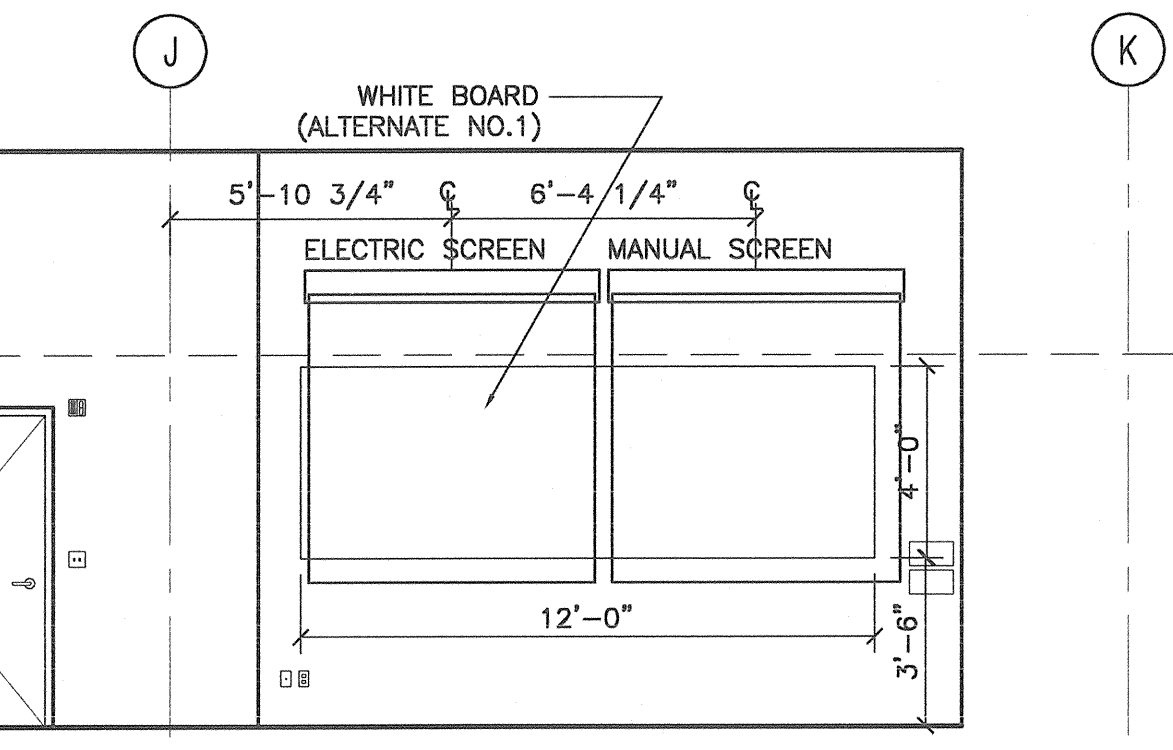
11 INT. ELEVATION @MED. CLASS RM. - RM 0215
1/4" = 1'-0"



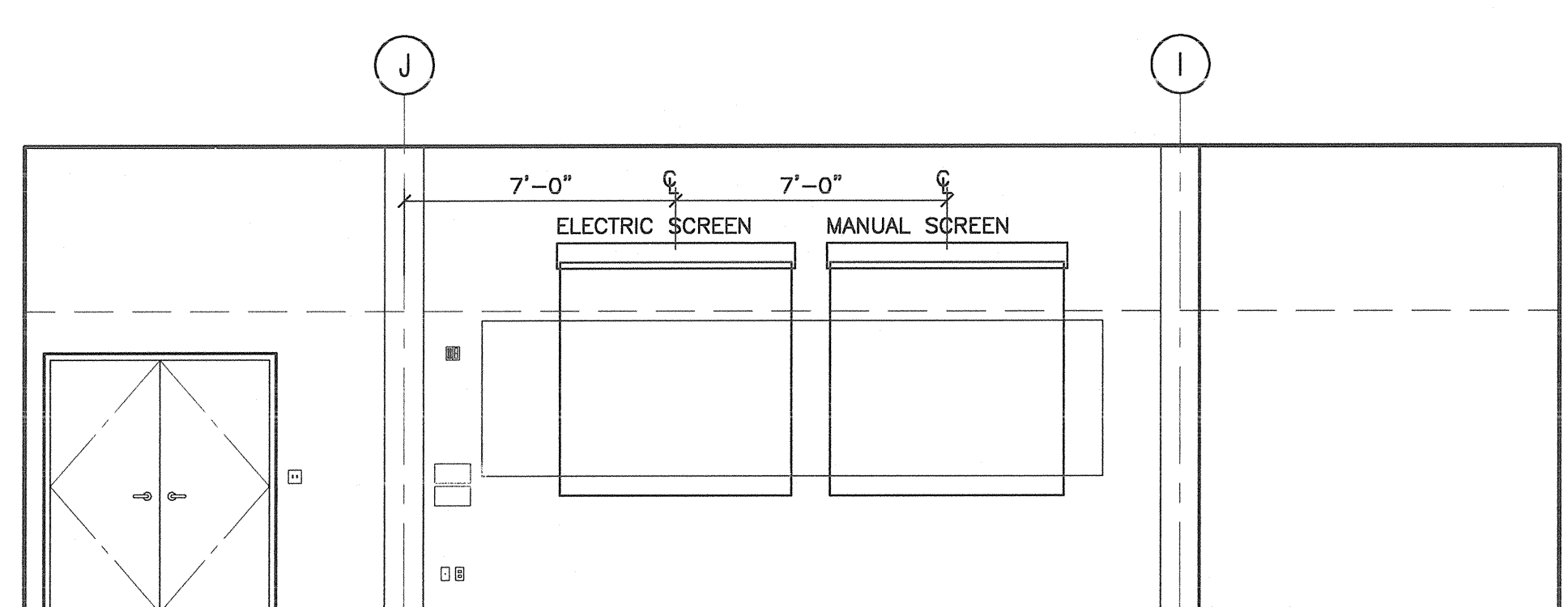
10 INT. ELEVATION @MED. CLASS RM. - RM 0220
1/4" = 1'-0"



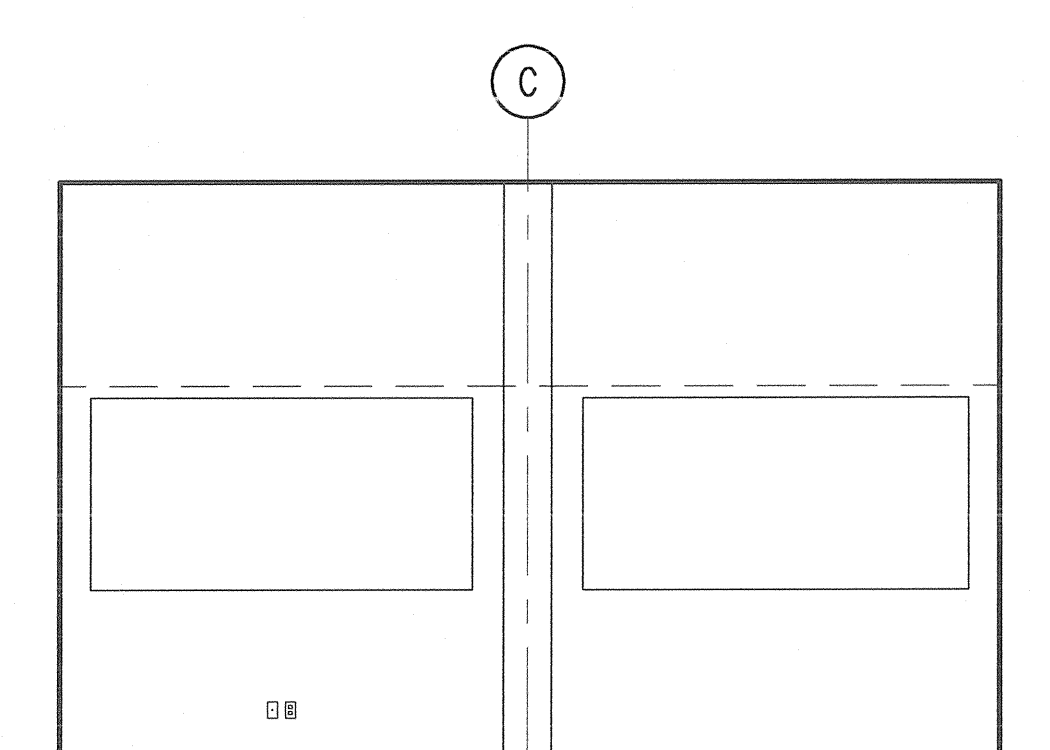
9 INT. ELEVATION @MED. CLASS RM. - RM 0225
1/4" = 1'-0"



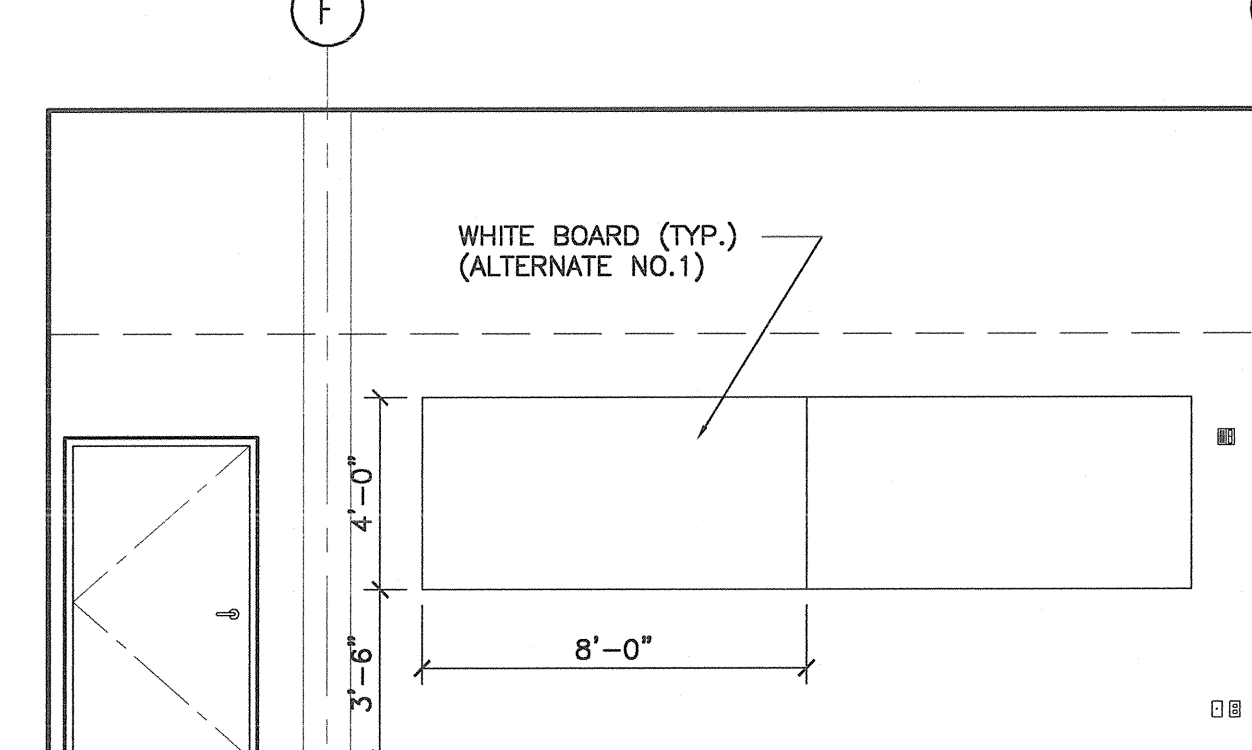
8 INT. ELEVATION @MED. CLASS RM. - RM 0230
1/4" = 1'-0"



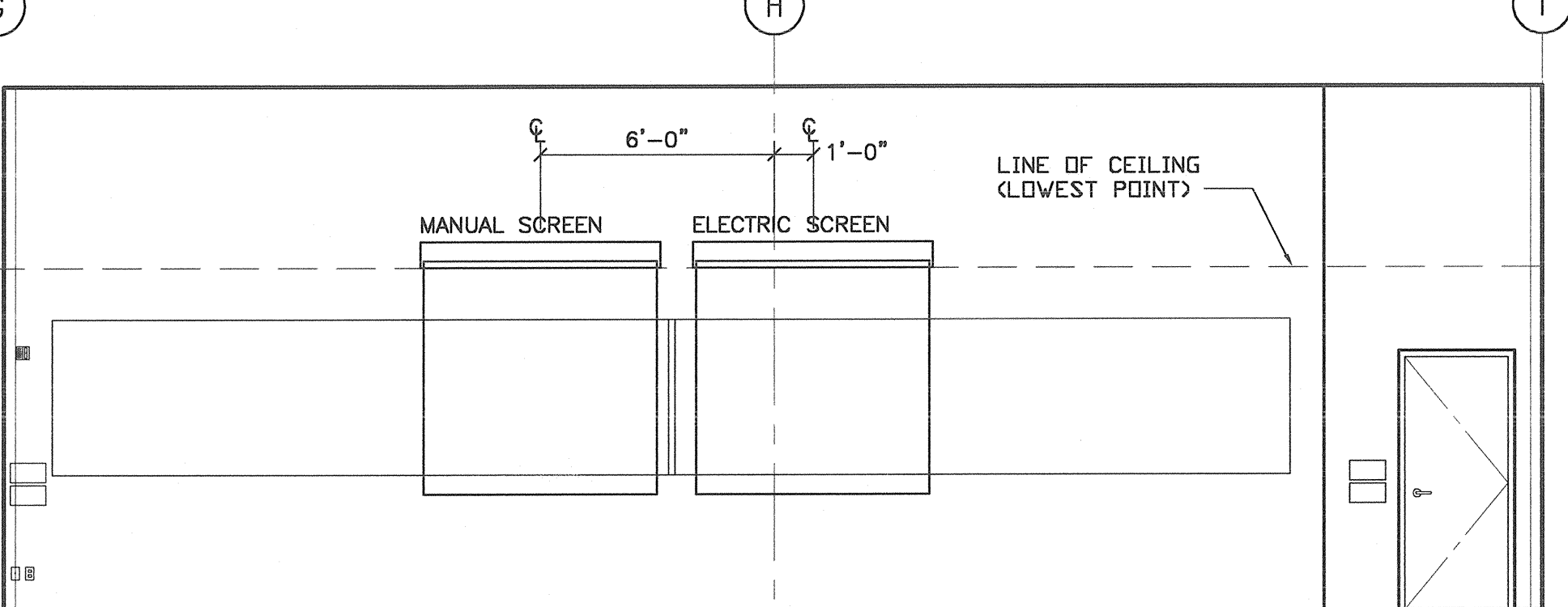
7 INT. ELEVATION @CONSTRUCTION LAB - RM 0238
1/4" = 1'-0"



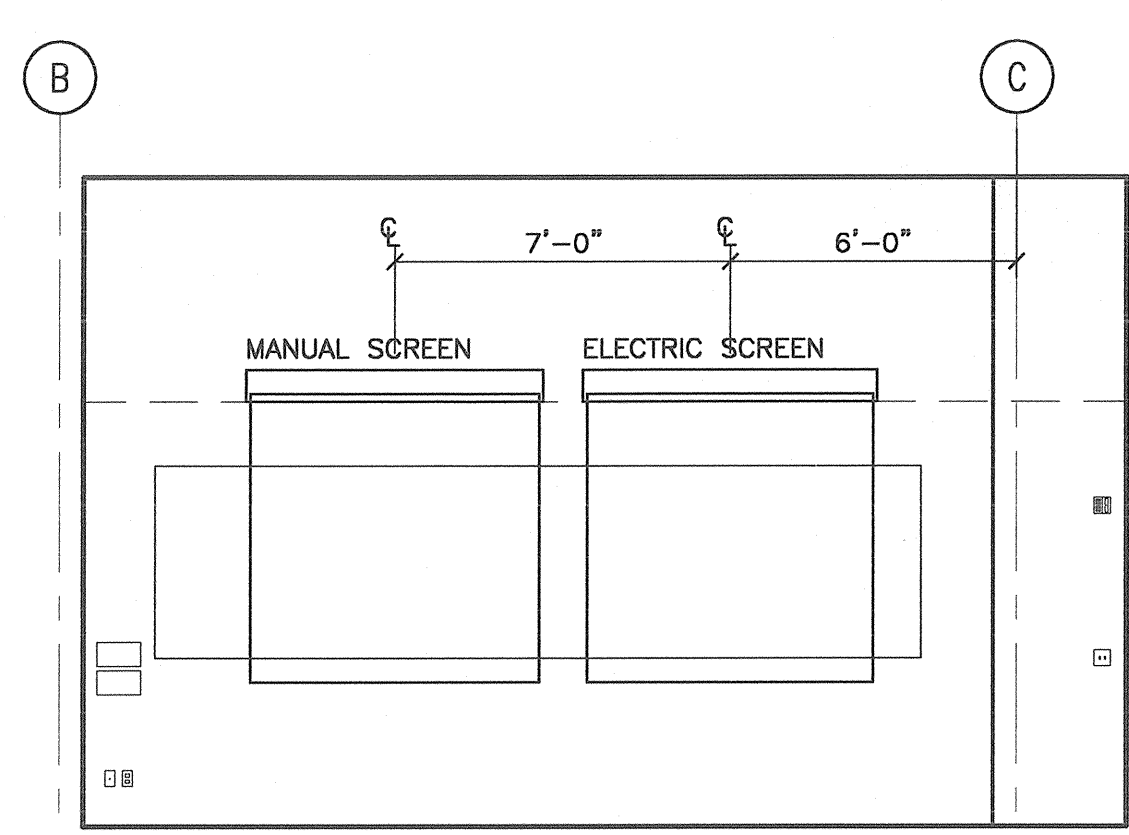
6 INT. ELEVATION @ D.E.S. - RM 0202
1/4" = 1'-0"



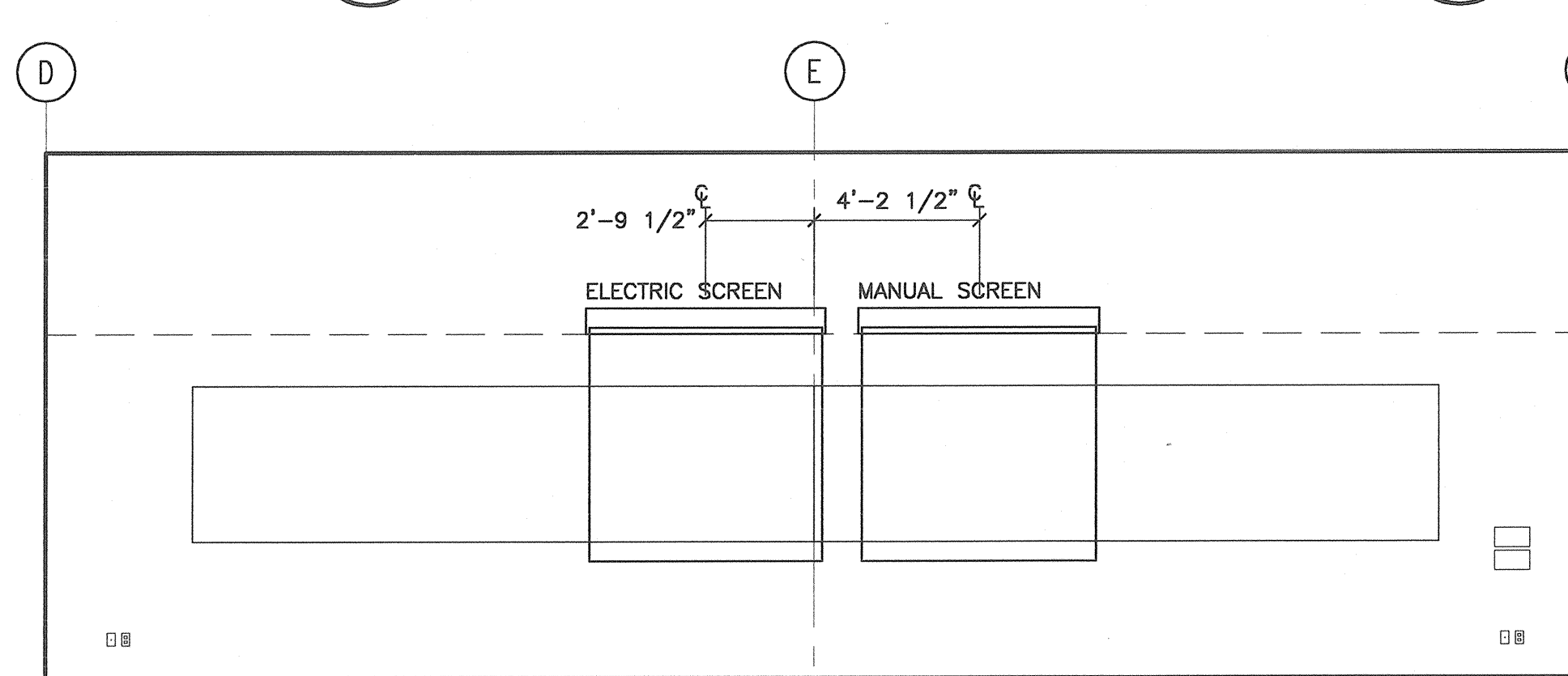
5 INT. ELEVATION @ SOILS & CONC. LAB - RM 0138
1/4" = 1'-0"



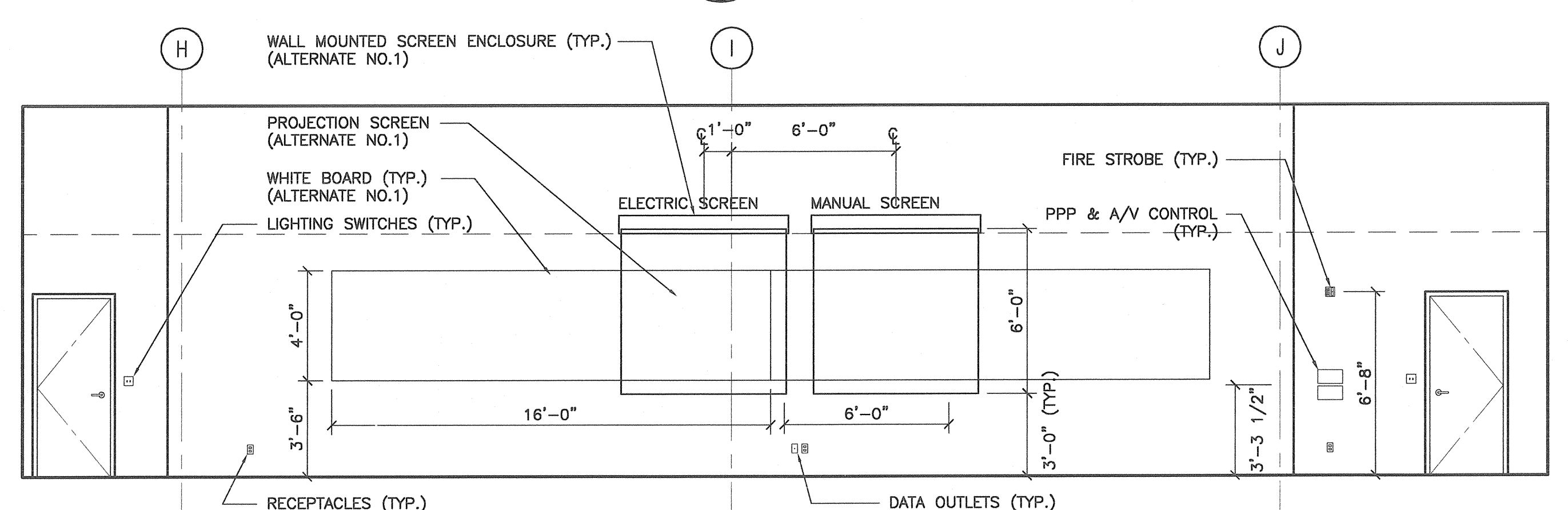
4 INT. ELEVATION @ STRUCTURES STUDIO- RM 0140
1/4" = 1'-0"



3 INT. ELEVATION @ MEDIUM CLASSROOM- RM 0106
1/4" = 1'-0"



2 INT. ELEVATION @ LARGE CLASSROOM- RM 0110
1/4" = 1'-0"



1 INT. ELEVATION @ M.E.P. STUDIO- RM 0125
1/4" = 1'-0"