



**M.E. RINKER, Sr. HALL**  
SCHOOL OF BUILDING CONSTRUCTION  
UNIVERSITY OF FLORIDA-GAINESVILLE  
PROJECT NO. BR-191

ARCHITECTS  
**CROXTON COLLABORATIVE/  
GOULD EVANS ASSOCIATES**

CROXTON COLLABORATIVE ARCHITECTS  
475 FIFTH AVENUE  
NEW YORK, NY 10017  
TEL 212.683.1998  
FAX 212.683.2799

GOULD EVANS ASSOCIATES  
5405 WEST CYPRESS STREET  
TAMPA, FL 33607  
TEL 813.288.0729  
FAX 813.288.0231

STRUCTURAL ENGINEERS  
**LEHR ASSOCIATES**

130 WEST 30TH STREET  
NEW YORK, NY 10001-4092  
TEL 212.947.8050  
FAX 212.967.2059

ENGINEERS  
**BROWN & CULLEN, INC.**

3530 NW 43 STREET  
GAINESVILLE, FL 32605  
TEL 352.375.8959  
FAX 352.375.0833

LANDSCAPE ENGINEERS  
**McCLAIN DESIGN GROUP, INC.**

1843 NW 30 DRIVE  
GAINESVILLE, FL 32605  
TEL 352.372.2808  
FAX 352.372.6622

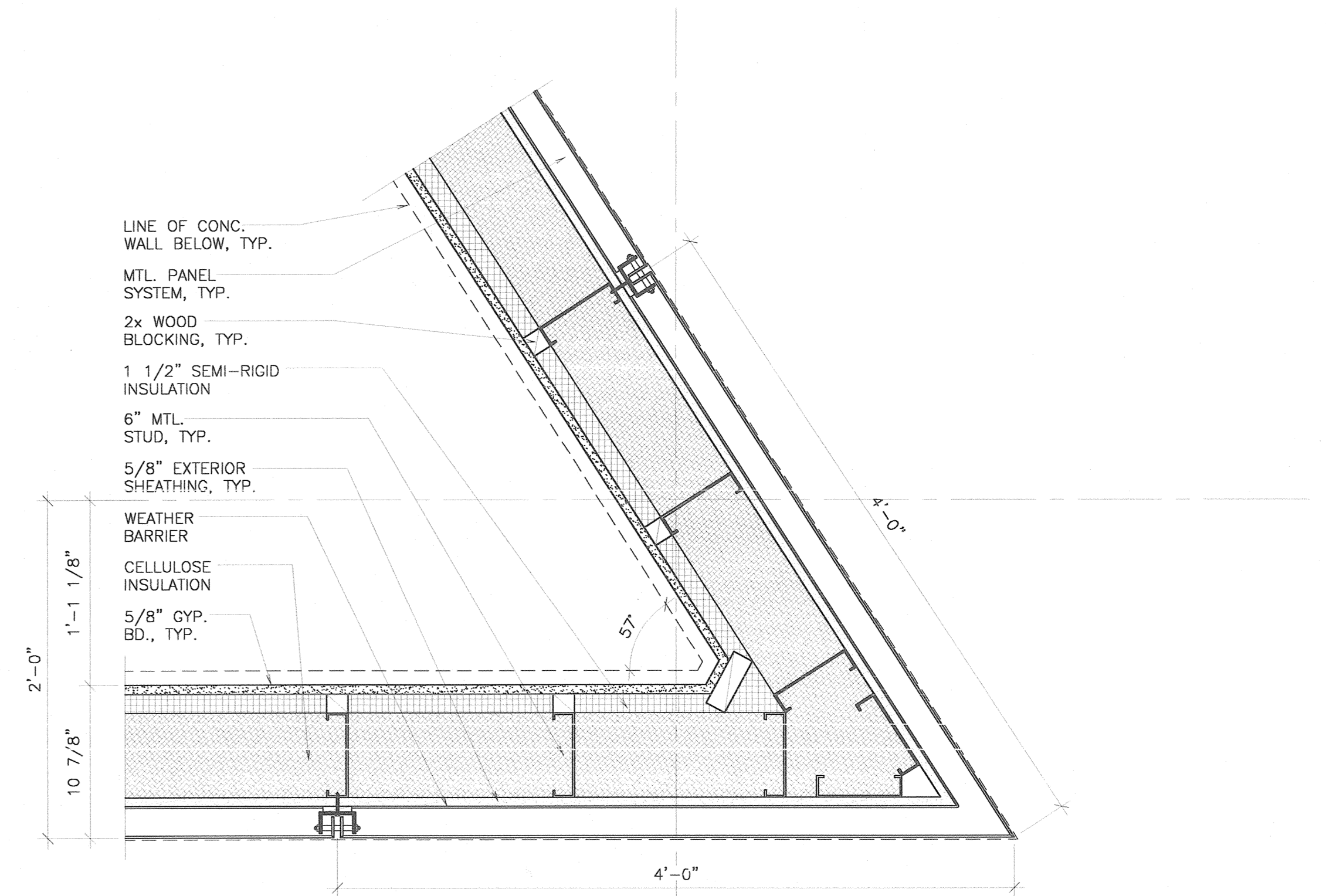
CONSULTANT  
**SEEGY-BISCH**

AUSSERE SULZBACHER STR. 118  
NURNBERG, GERMANY  
TEL 0911/59 90 99  
FAX 0911/59 98 05

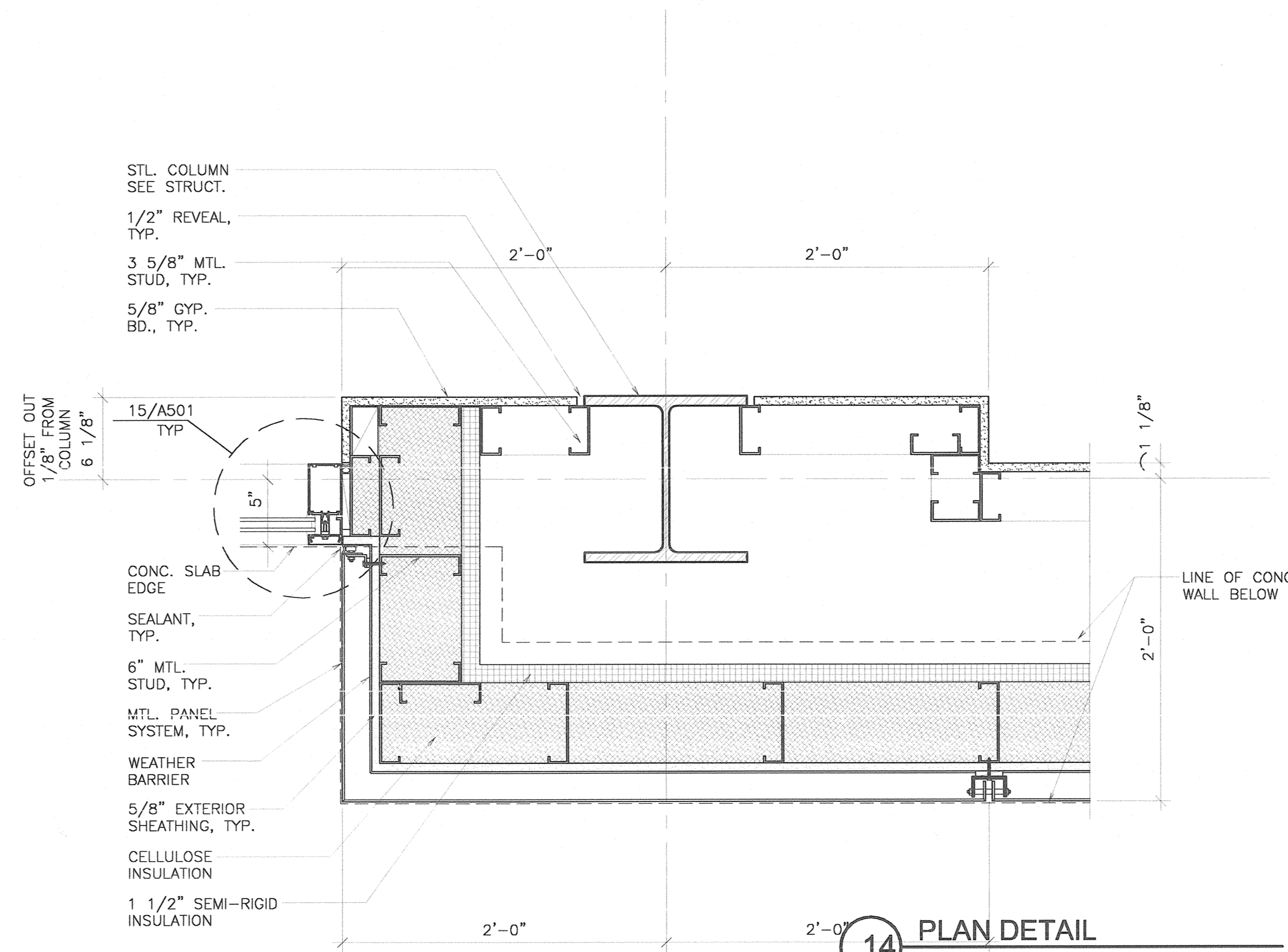
THIS DRAWING, AS AN INSTRUMENT OF SERVICE, IS AND SHALL REMAIN THE PROPERTY OF CROXTON COLLABORATIVE ARCHITECTS. THIS DRAWING SHALL NOT BE REPRODUCED, PUBLISHED, USED ON OTHER PROJECTS, USED FOR ADDITIONS, OR USED IN COMPLETION OF THIS PROJECT BY OTHERS, EXCEPT BY AGREEMENT IN WRITING. © 2001 CROXTON COLLABORATIVE ARCHITECTS/GOULD EVANS ASSOCIATES.

100% CONSTRUCTION DOCUMENTS

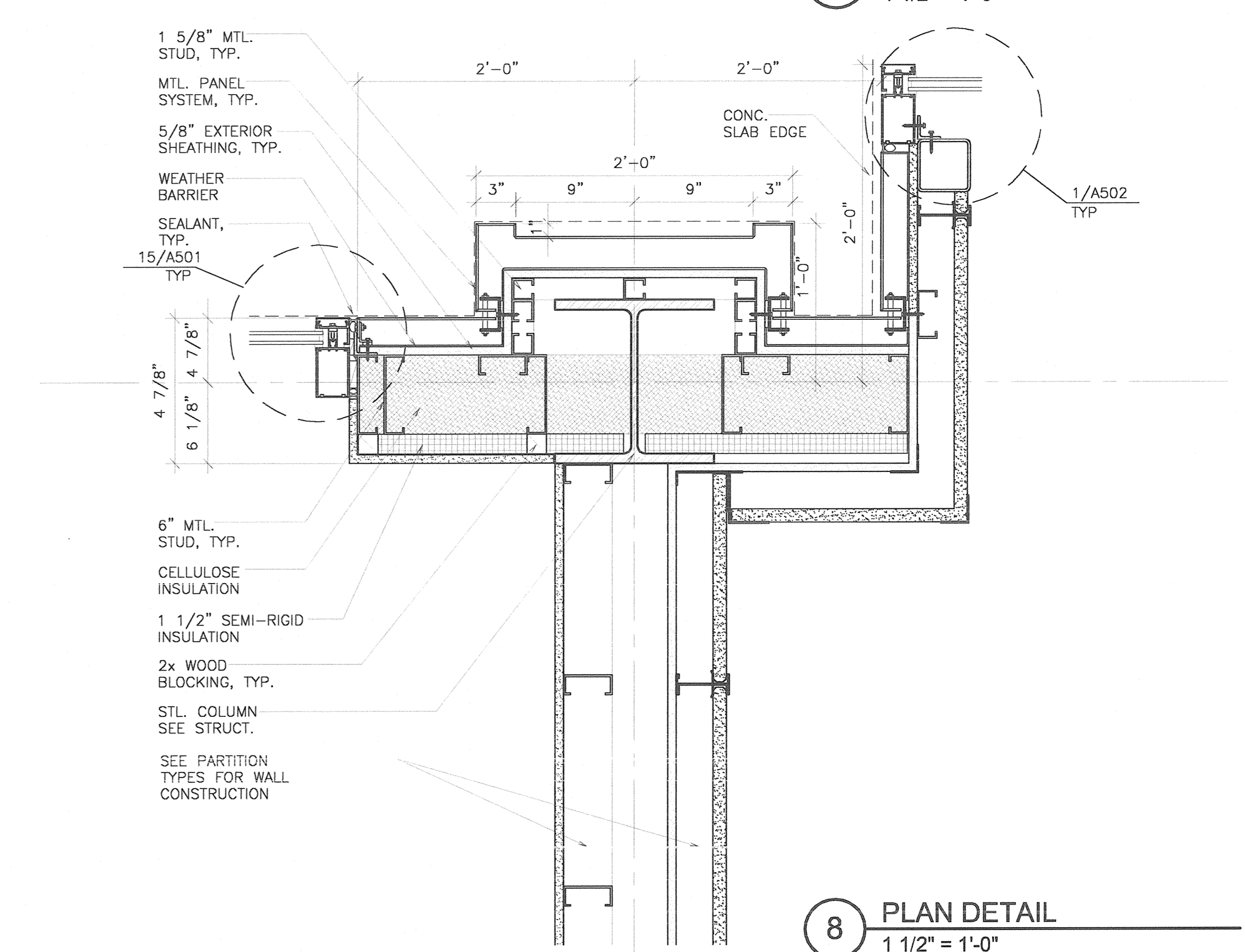
DATE 11/21/01  
SCALE 1 1/2"=1'-0"  
DRAWN BY/CHECKED BY MM/JRae  
DATE 11/21/01  
SCALE 1 1/2"=1'-0"  
DRAWING NUMBER A702



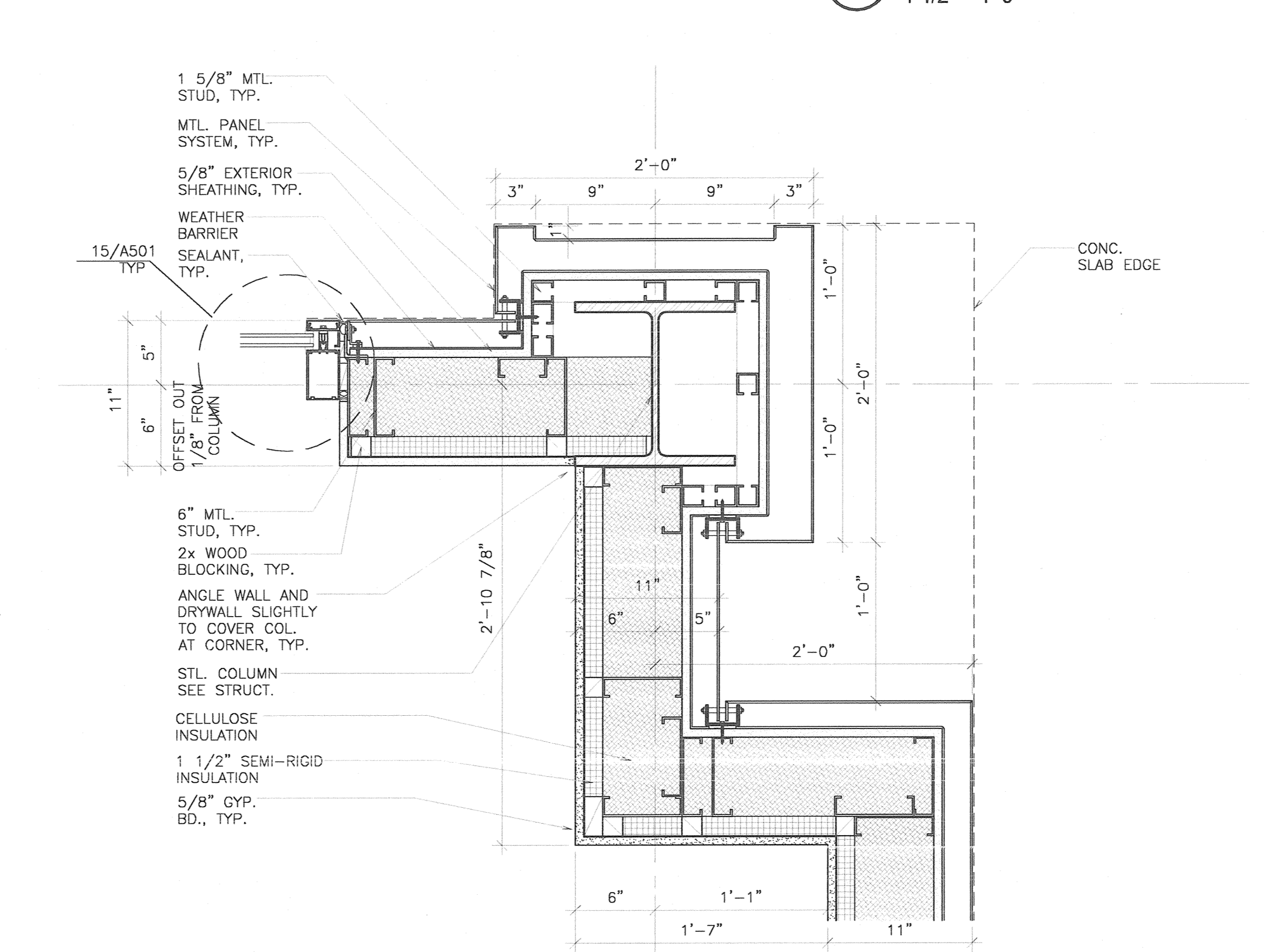
13 PLAN DETAIL  
1 1/2" = 1'-0"



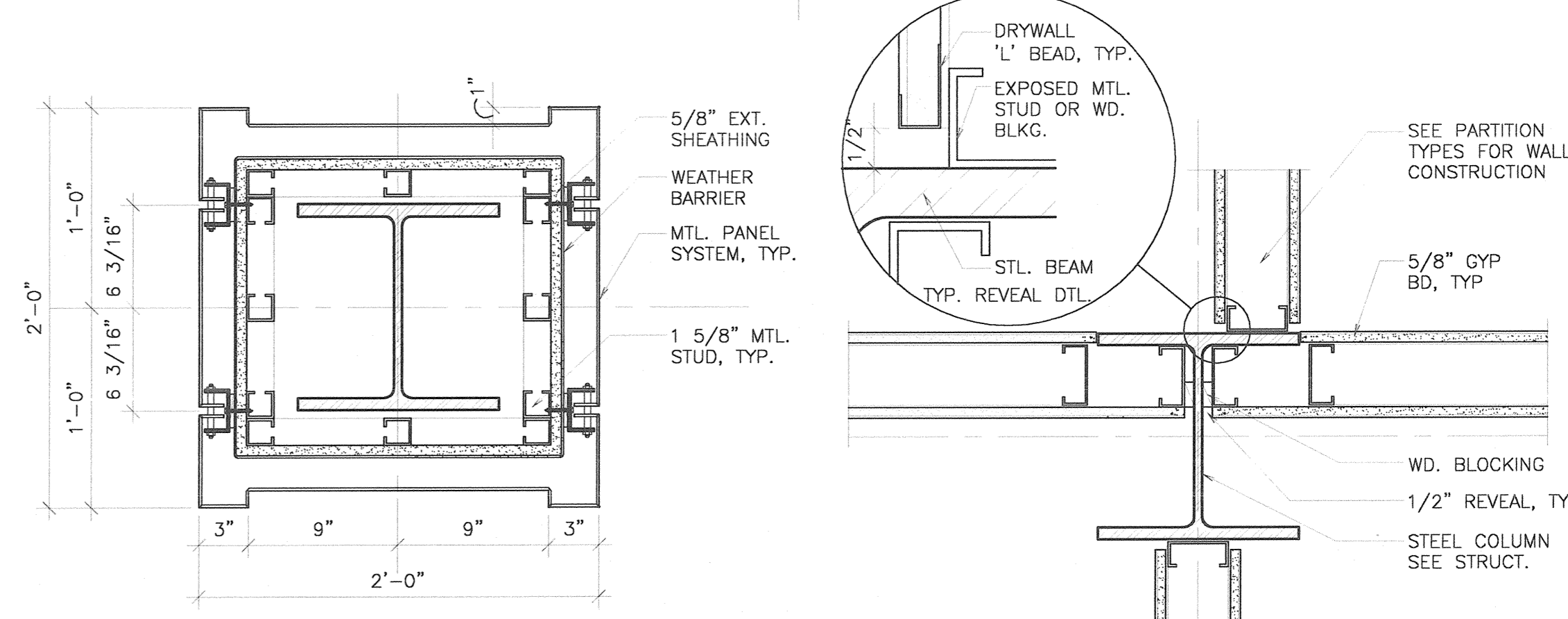
14 PLAN DETAIL  
1 1/2" = 1'-0"



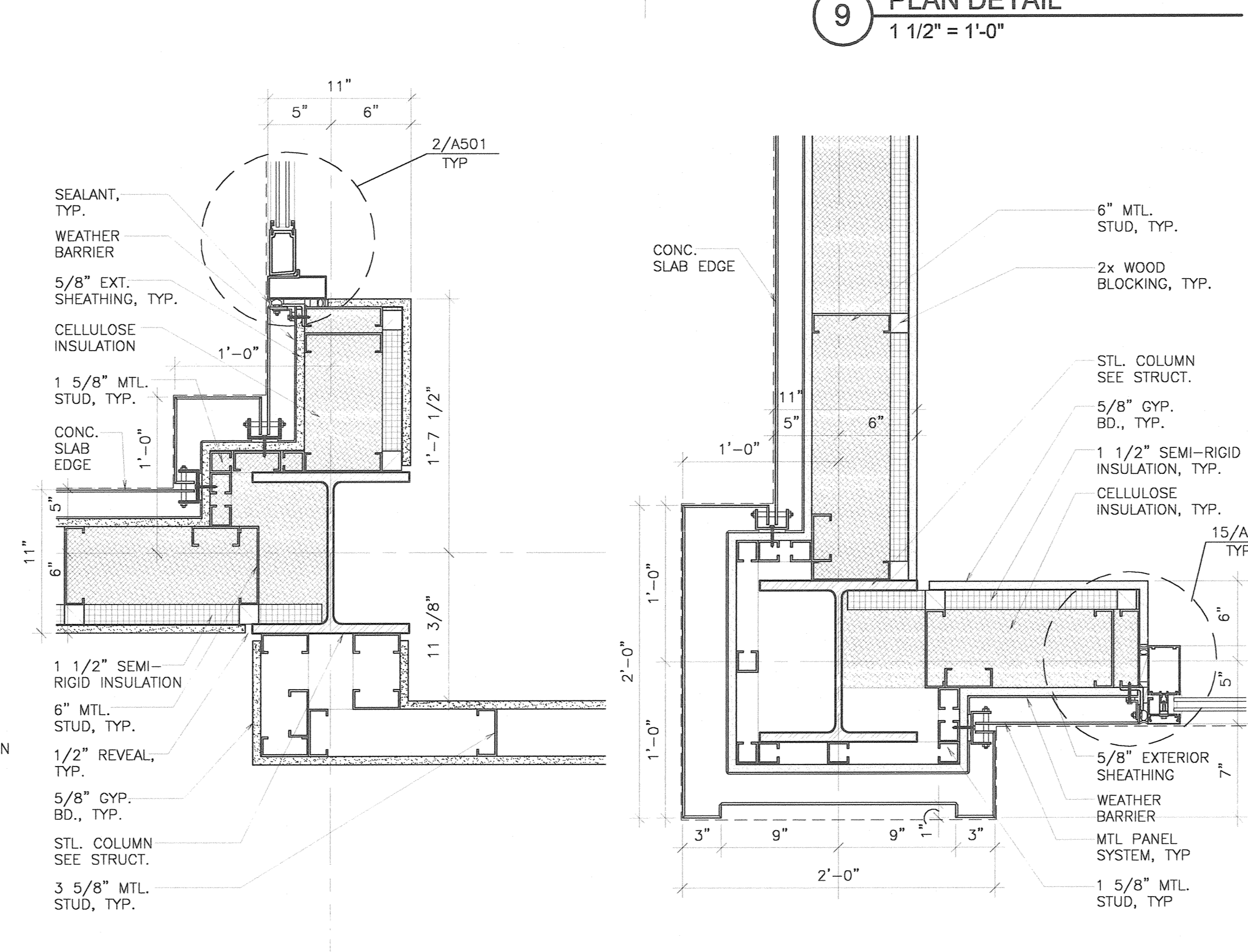
8 PLAN DETAIL  
1 1/2" = 1'-0"



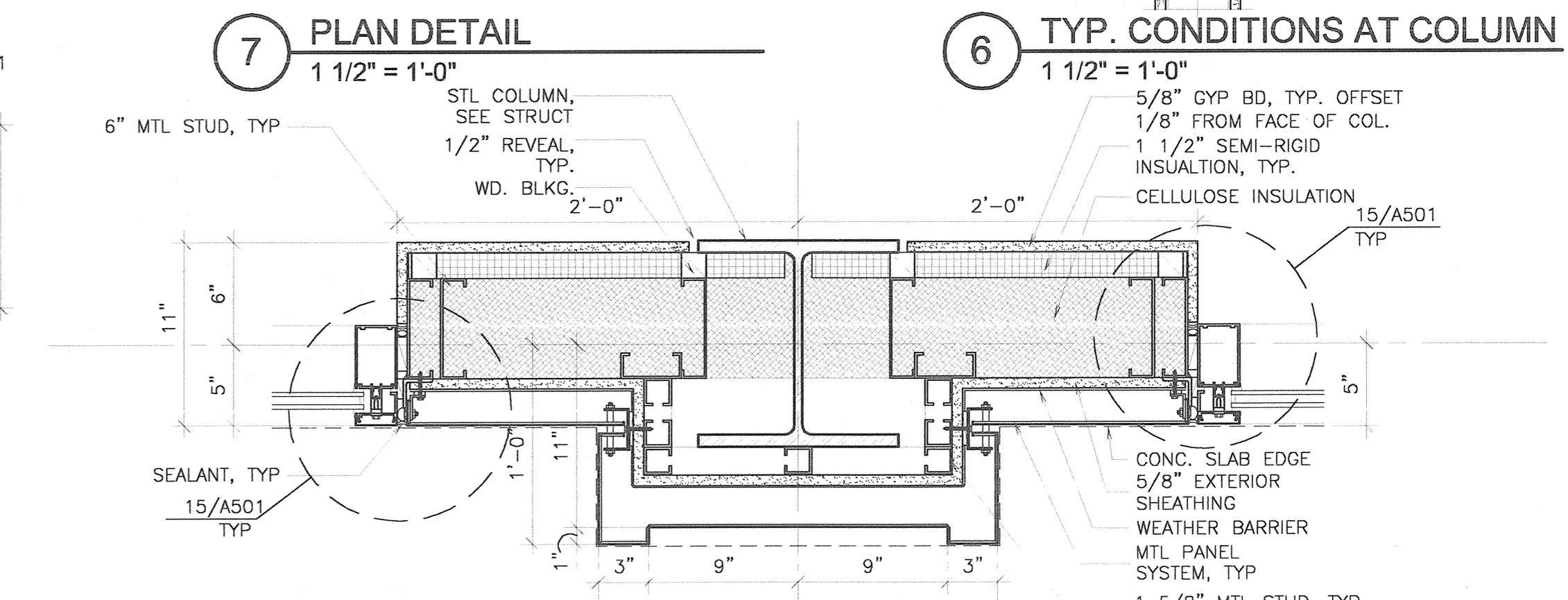
9 PLAN DETAIL  
1 1/2" = 1'-0"



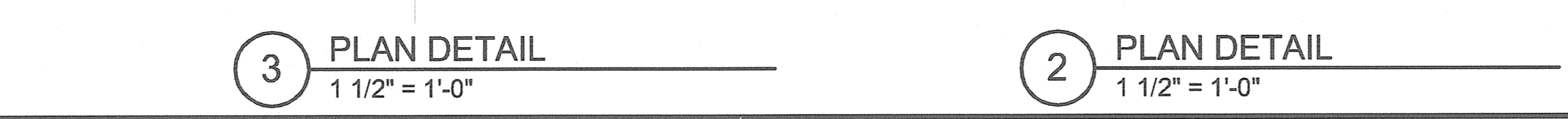
7 PLAN DETAIL  
1 1/2" = 1'-0"



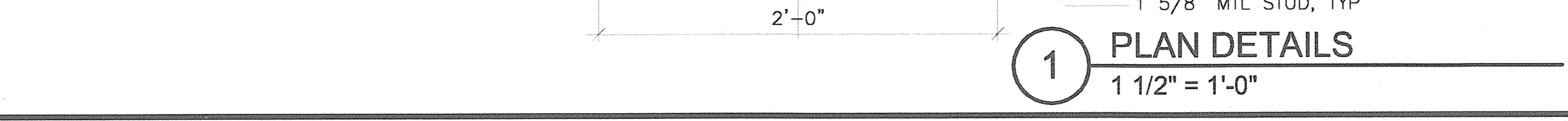
2 PLAN DETAIL  
1 1/2" = 1'-0"



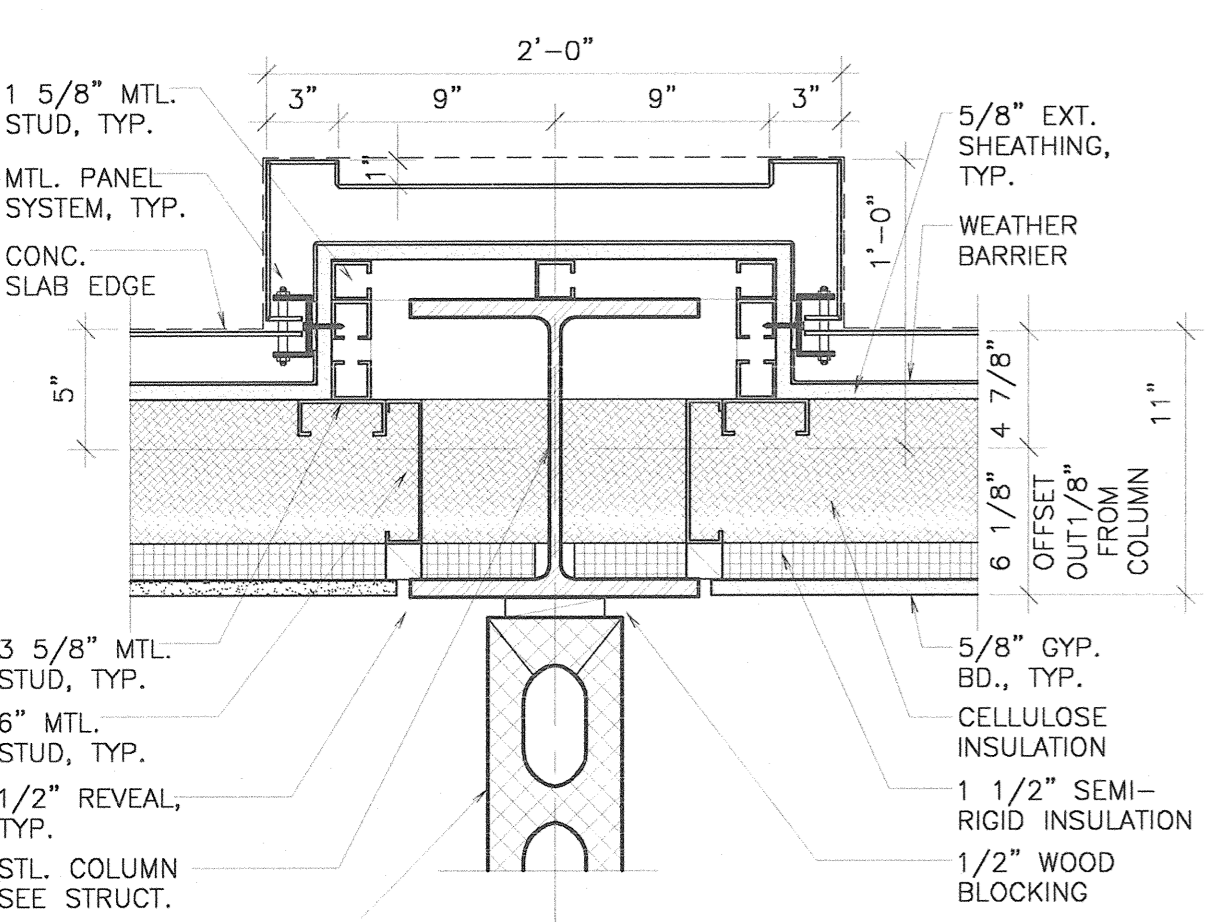
6 TYP. CONDITIONS AT COLUMN  
1 1/2" = 1'-0"



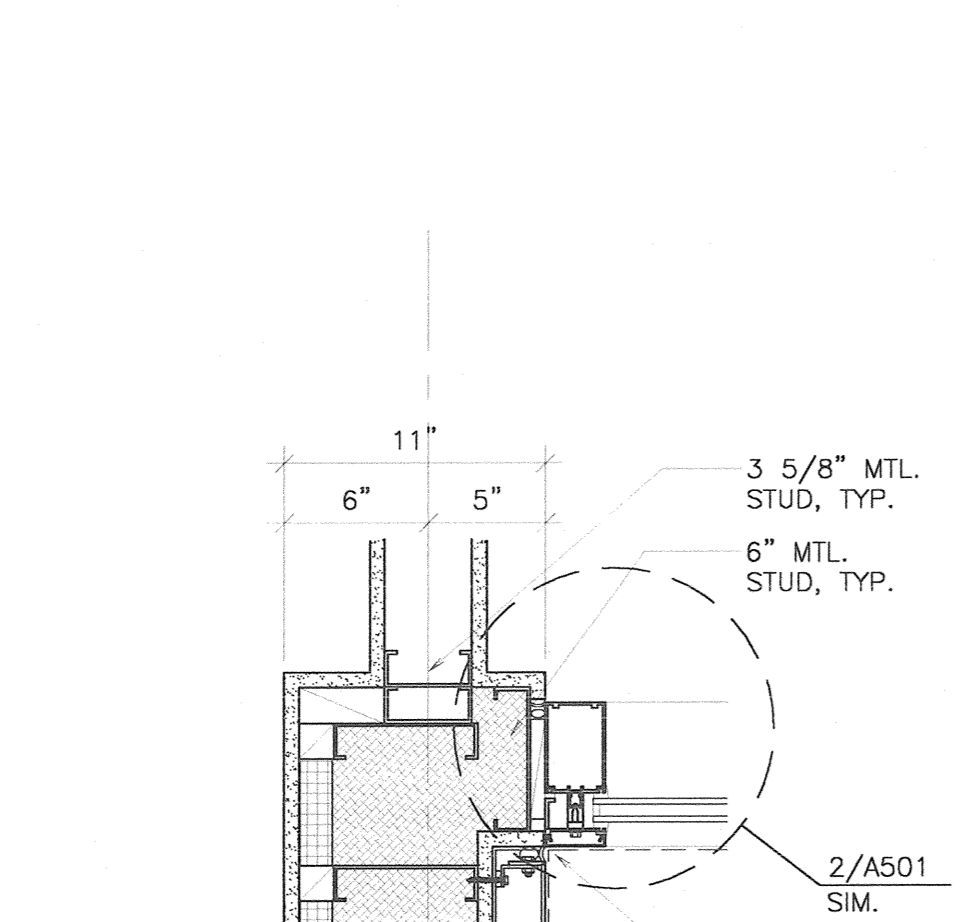
3 PLAN DETAIL  
1 1/2" = 1'-0"



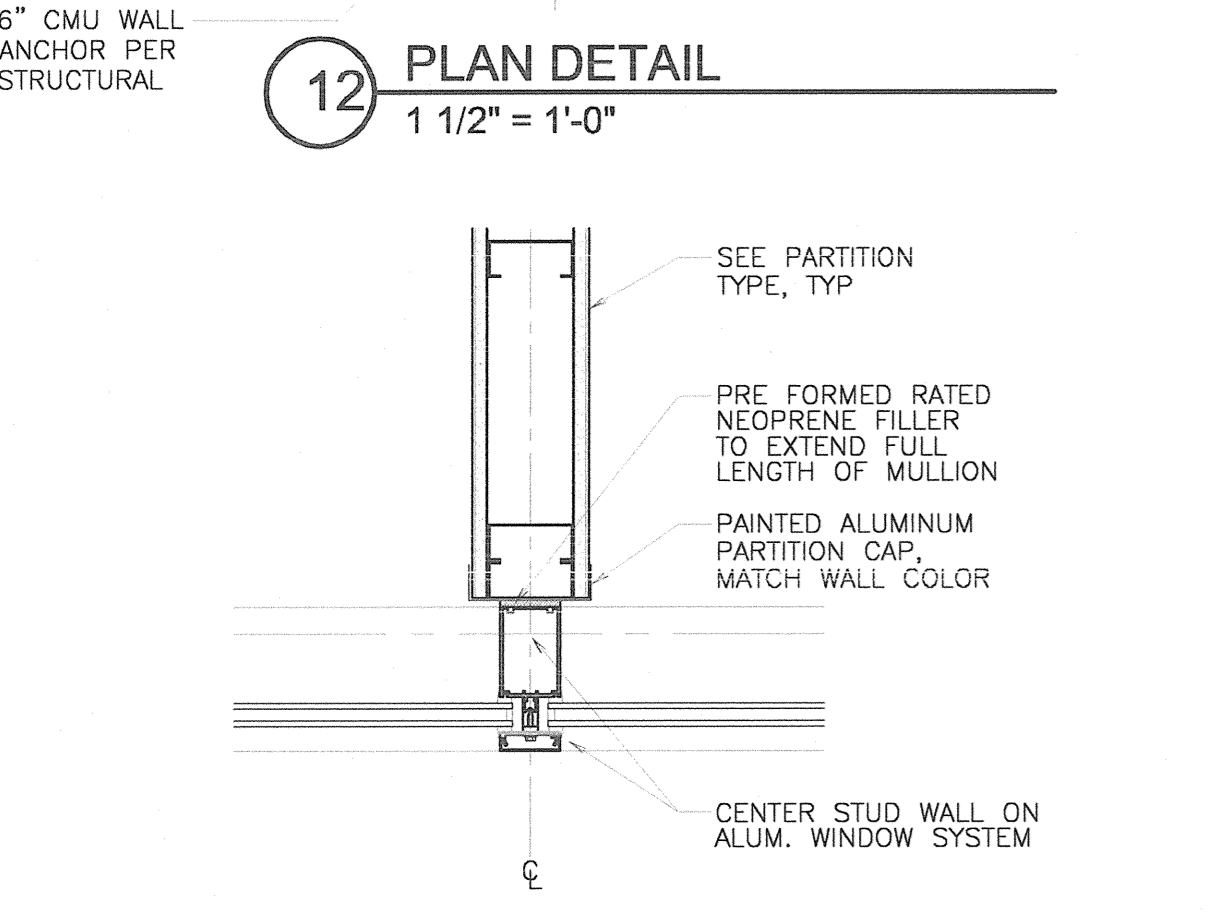
1 PLAN DETAILS  
1 1/2" = 1'-0"



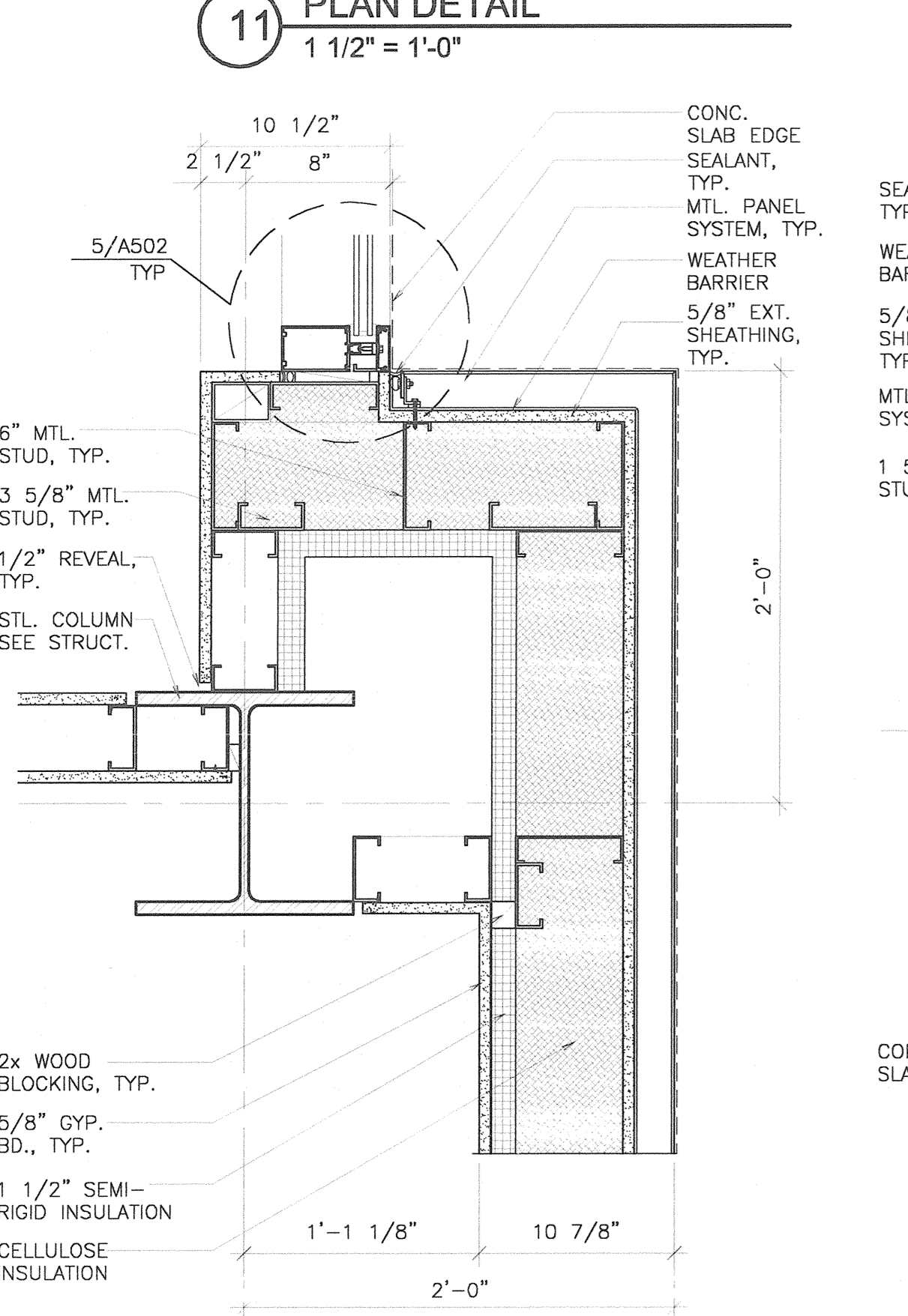
12 PLAN DETAIL  
1 1/2" = 1'-0"



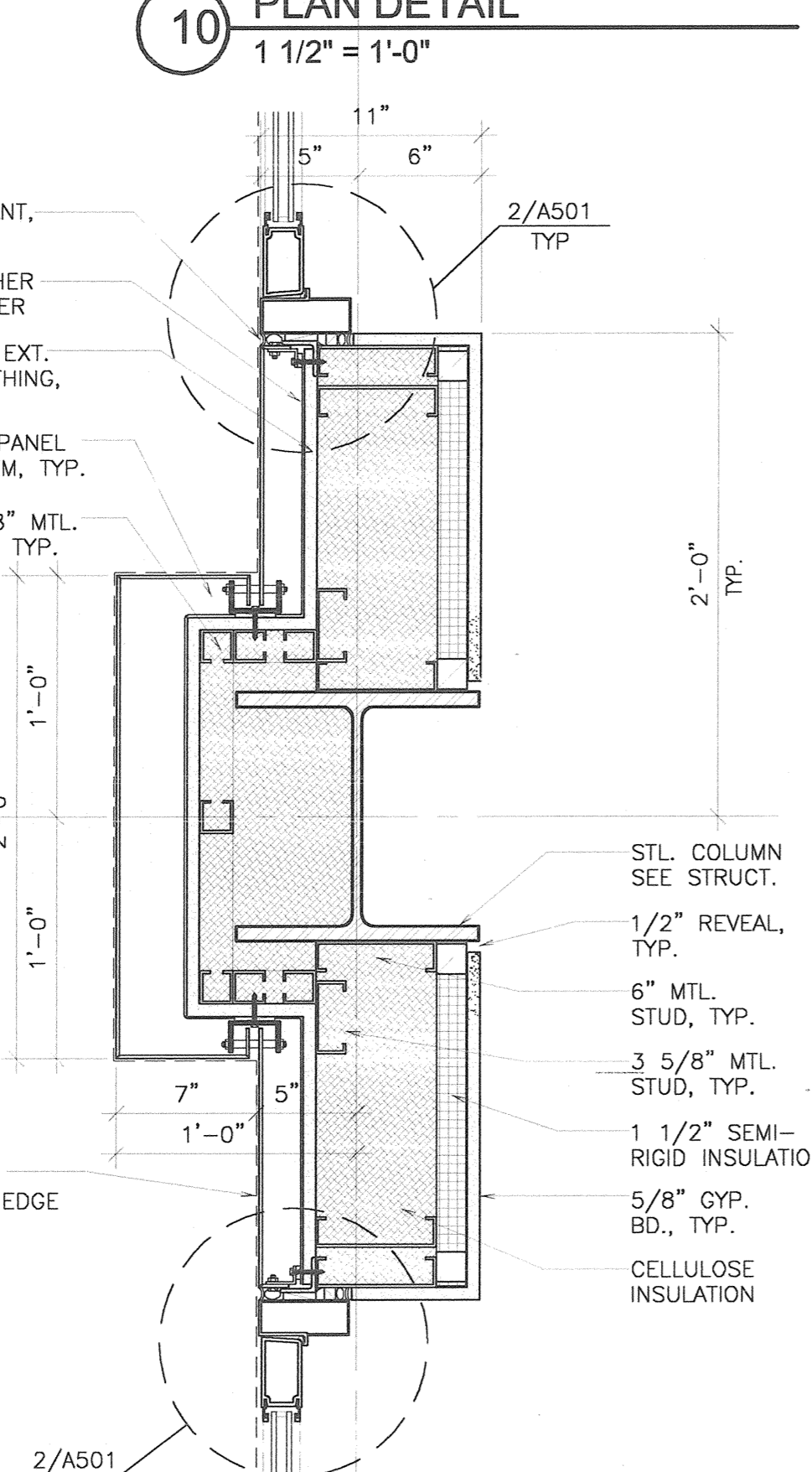
10 PLAN DETAIL  
1 1/2" = 1'-0"



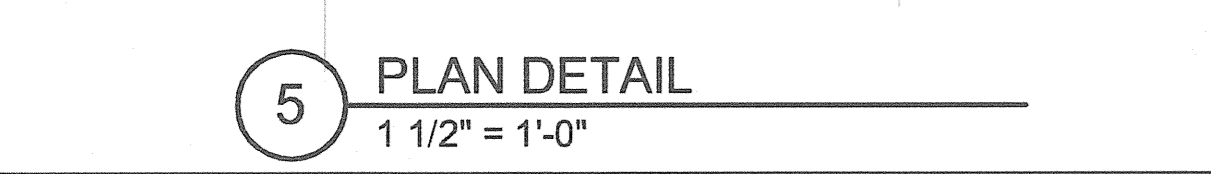
11 PLAN DETAIL  
1 1/2" = 1'-0"



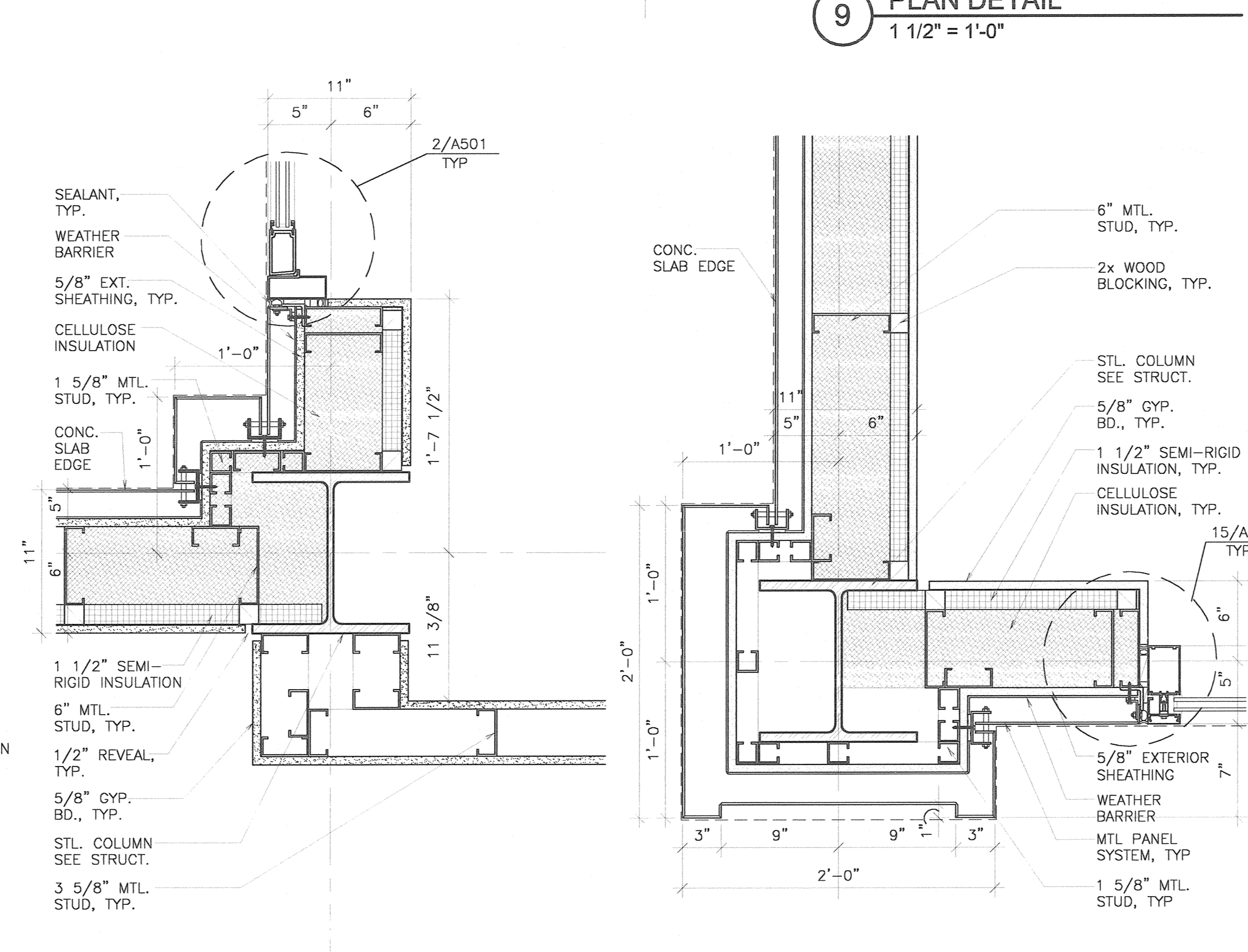
5 PLAN DETAIL  
1 1/2" = 1'-0"



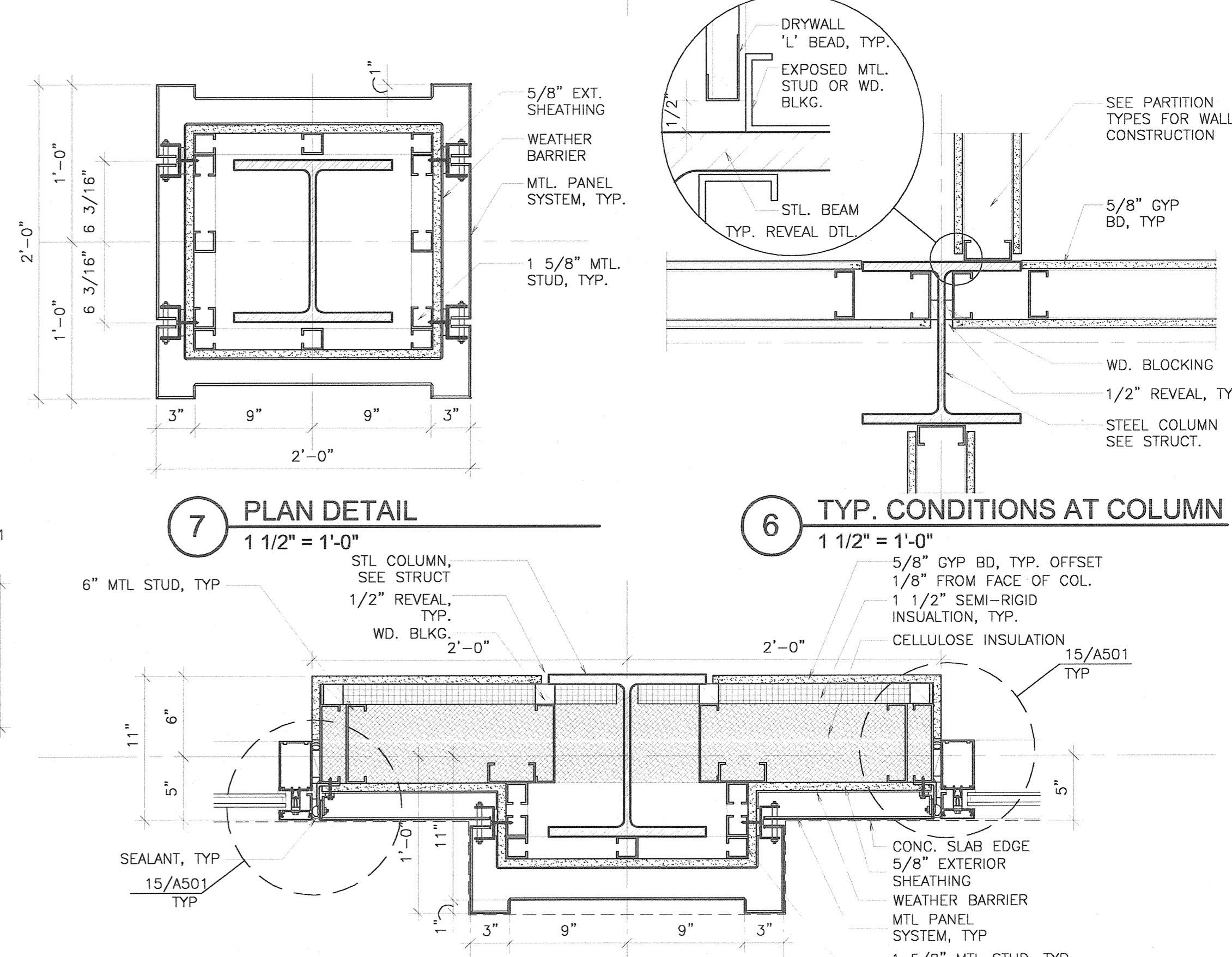
4 PLAN DETAIL  
1 1/2" = 1'-0"



11 PLAN DETAIL  
1 1/2" = 1'-0"



3 PLAN DETAIL  
1 1/2" = 1'-0"



6 TYP. CONDITIONS AT COLUMN  
1 1/2" = 1'-0"