



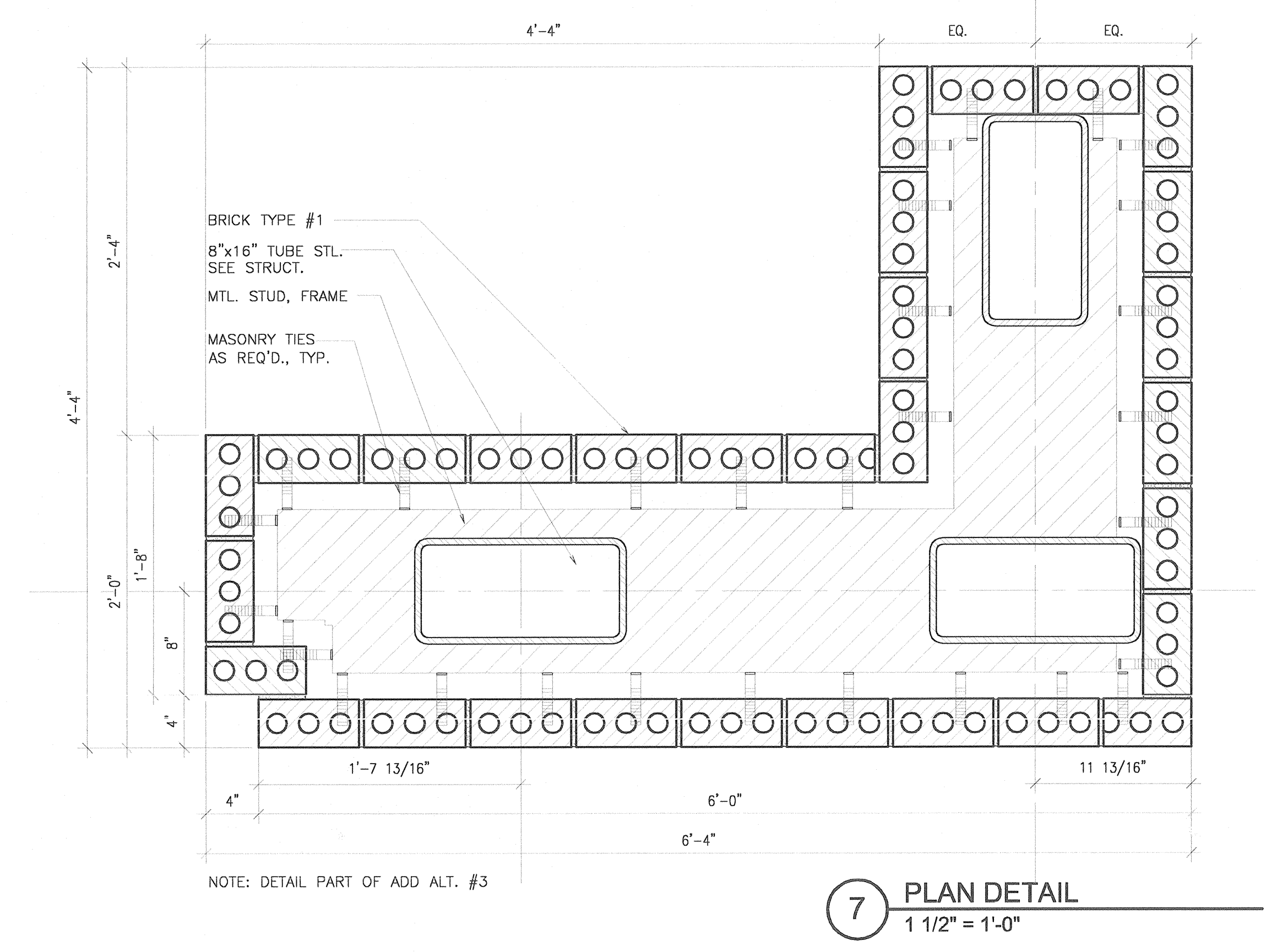
**M.E. RINKER, Sr. HALL**  
**SCHOOL OF BUILDING CONSTRUCTION**  
 UNIVERSITY OF FLORIDA-GAINESVILLE  
 PROJECT NO. BR-191

ADDRESSES  
**CROXTON COLLABORATIVE/ GOULD EVANS ASSOCIATES**  
 CROXTON COLLABORATIVE ARCHITECTS  
 475 FIFTH AVENUE  
 NEW YORK, NY 10017  
 TEL 212.683.1998  
 FAX 212.683.2799  
 GOULD EVANS ASSOCIATES  
 5405 WEST CYPRESS STREET  
 TAMPA, FL 33607  
 TEL 813.288.0729  
 FAX 813.288.0231  
 MEDICAL ENGINEERS  
**LEHR ASSOCIATES**  
 130 WEST 30TH STREET  
 NEW YORK, NY 10001-4092  
 TEL 212.947.8050  
 FAX 212.967.2059  
 STRUCTURAL ENGINEERS  
**WALTER P. MOORE**  
 201 EAST KENNEDY BOULEVARD  
 TAMPA, FL 33602  
 TEL 813.221.2424  
 FAX 813.221.2289  
 CIVIL ENGINEERS  
**BROWN & CULLEN, INC.**  
 3530 NW 43 STREET  
 GAINESVILLE, FL 32605  
 TEL 352.375.8999  
 FAX 352.375.0833  
 LANDSCAPE ENGINEERS  
**McCLAIN DESIGN GROUP, INC.**  
 1843 NW 39 DRIVE  
 GAINESVILLE, FL 32605  
 TEL 352.372.2808  
 FAX 352.372.6622  
 CONSULTANT  
**SEEGY-BISCH**  
 AUSSERE SULZBACHER STR. 118  
 NURNBERG, GERMANY  
 TEL 0911/59 90 99  
 FAX 0911/59 98 05

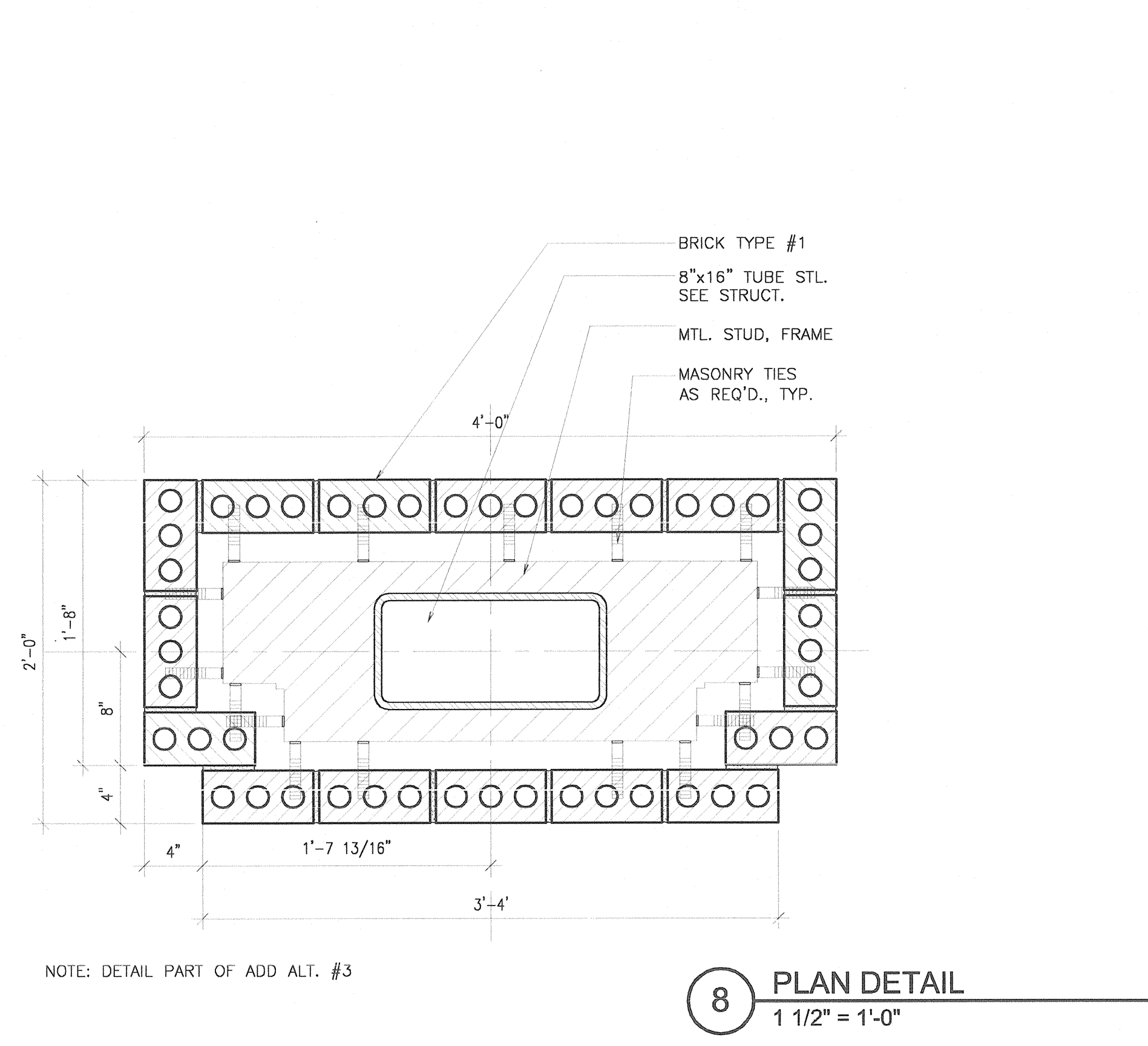
THIS DRAWING, AS AN INSTRUMENT OF SERVICE, IS AND SHALL REMAIN THE PROPERTY OF CROXTON COLLABORATIVE ARCHITECTS. THIS DRAWING SHALL NOT BE REPRODUCED, PUBLISHED, USED ON OTHER PROJECTS, USED FOR ADVERTISEMENTS, OR USED IN COMPLETION OF THIS PROJECT BY OTHERS EXCEPT BY AGREEMENT IN WRITING. © 2001 CROXTON COLLABORATIVE ARCHITECTS/ GOULD EVANS ASSOCIATES.

NO. / DATE / REVISION DATE  
 100% CONSTRUCTION DOCUMENTS

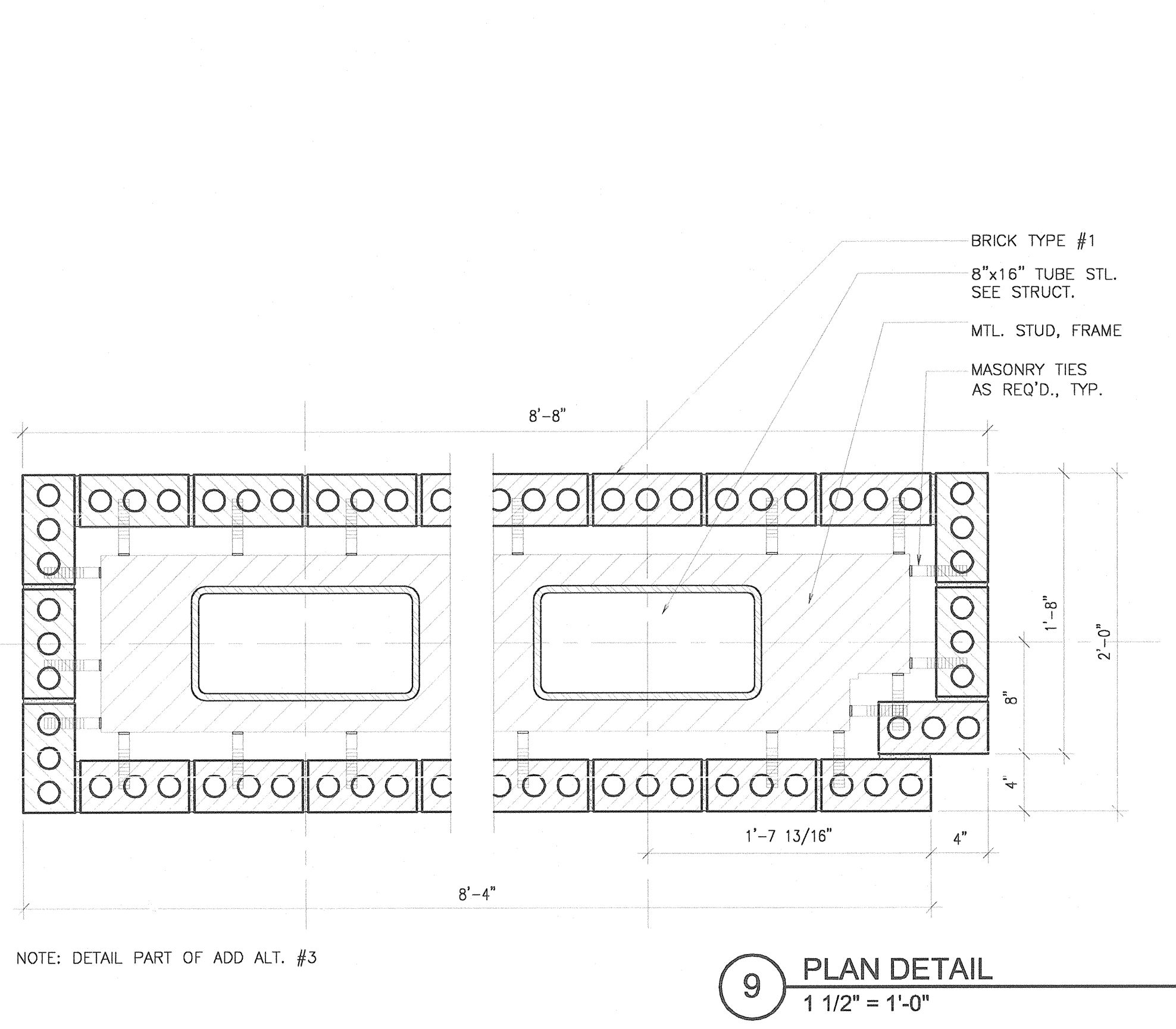
DRAWING NAME  
**PLAN & WALL DETAILS**  
 DATE 11/21/01  
 SCALE 1 1/2"=1'-0"  
 DRAWN BY/CHECKED BY MM/JRae  
**A703**



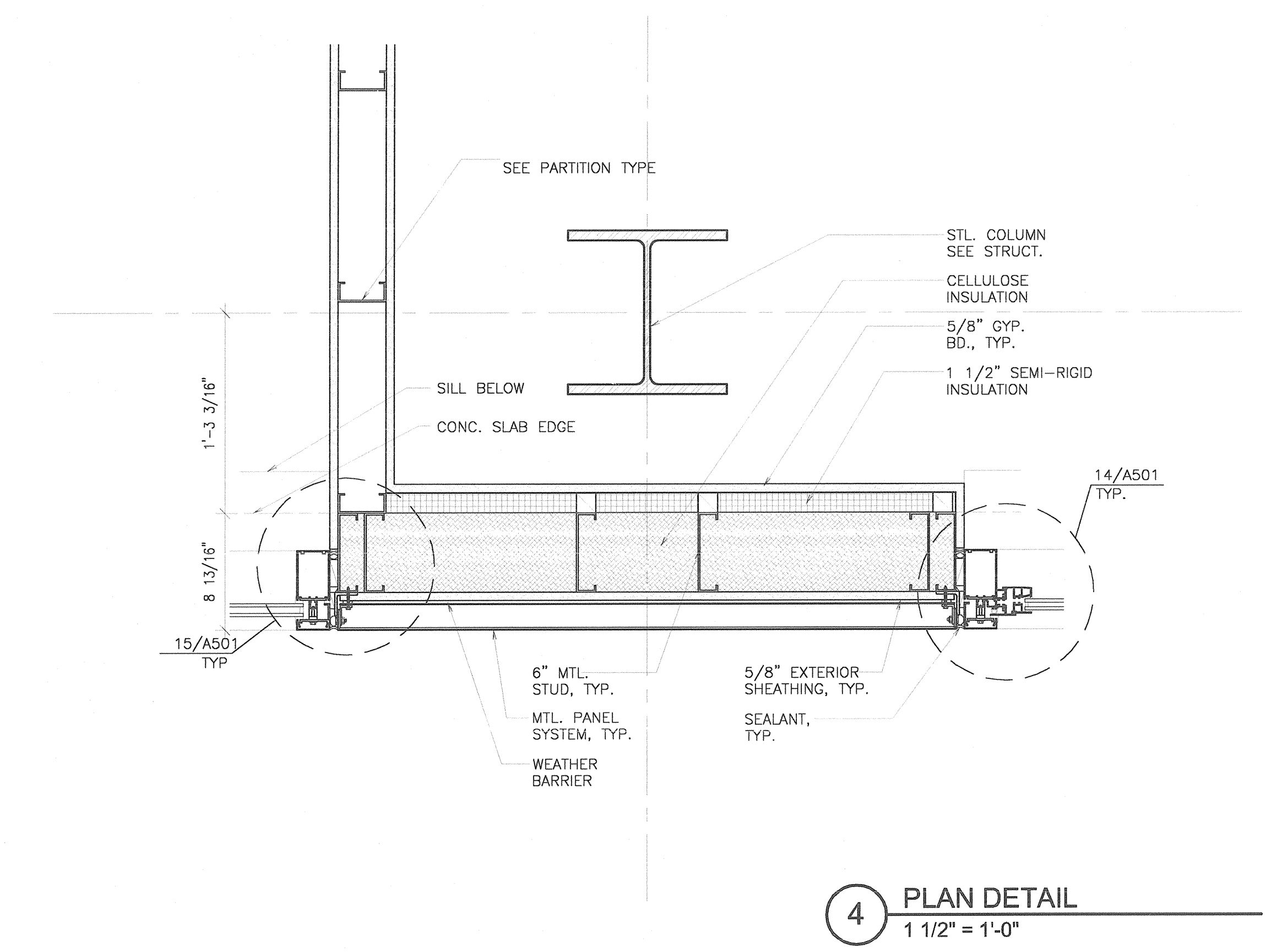
**7 PLAN DETAIL**  
 1 1/2" = 1'-0"



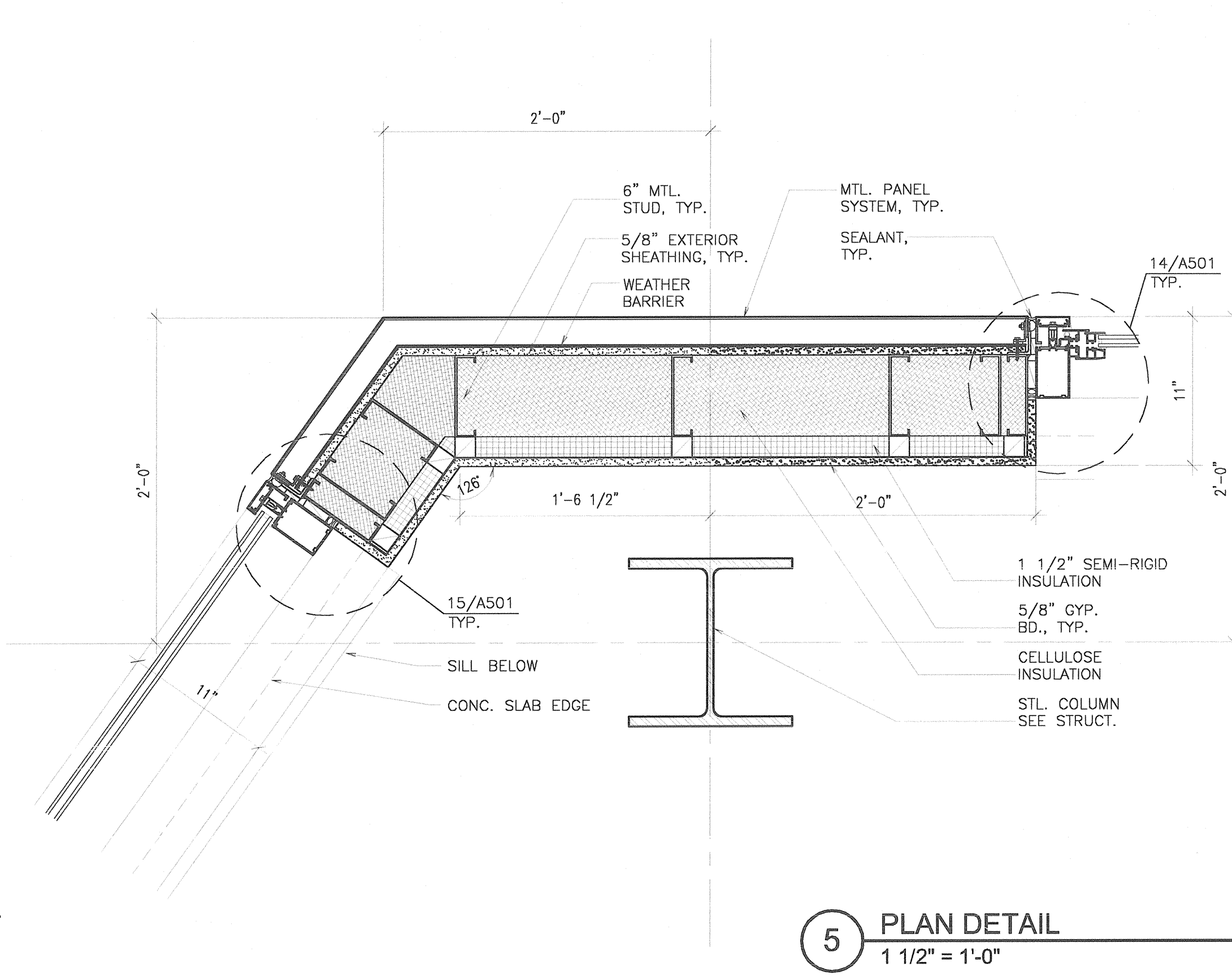
**8 PLAN DETAIL**  
 1 1/2" = 1'-0"



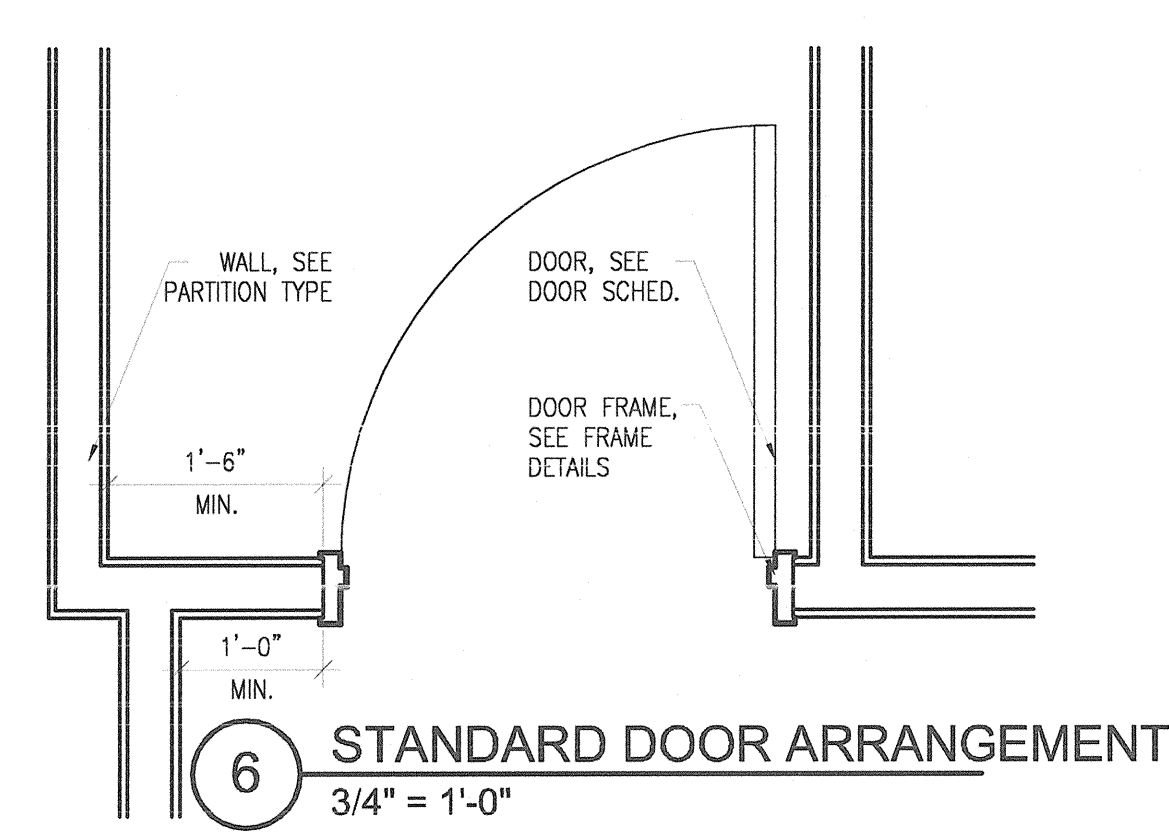
**9 PLAN DETAIL**  
 1 1/2" = 1'-0"



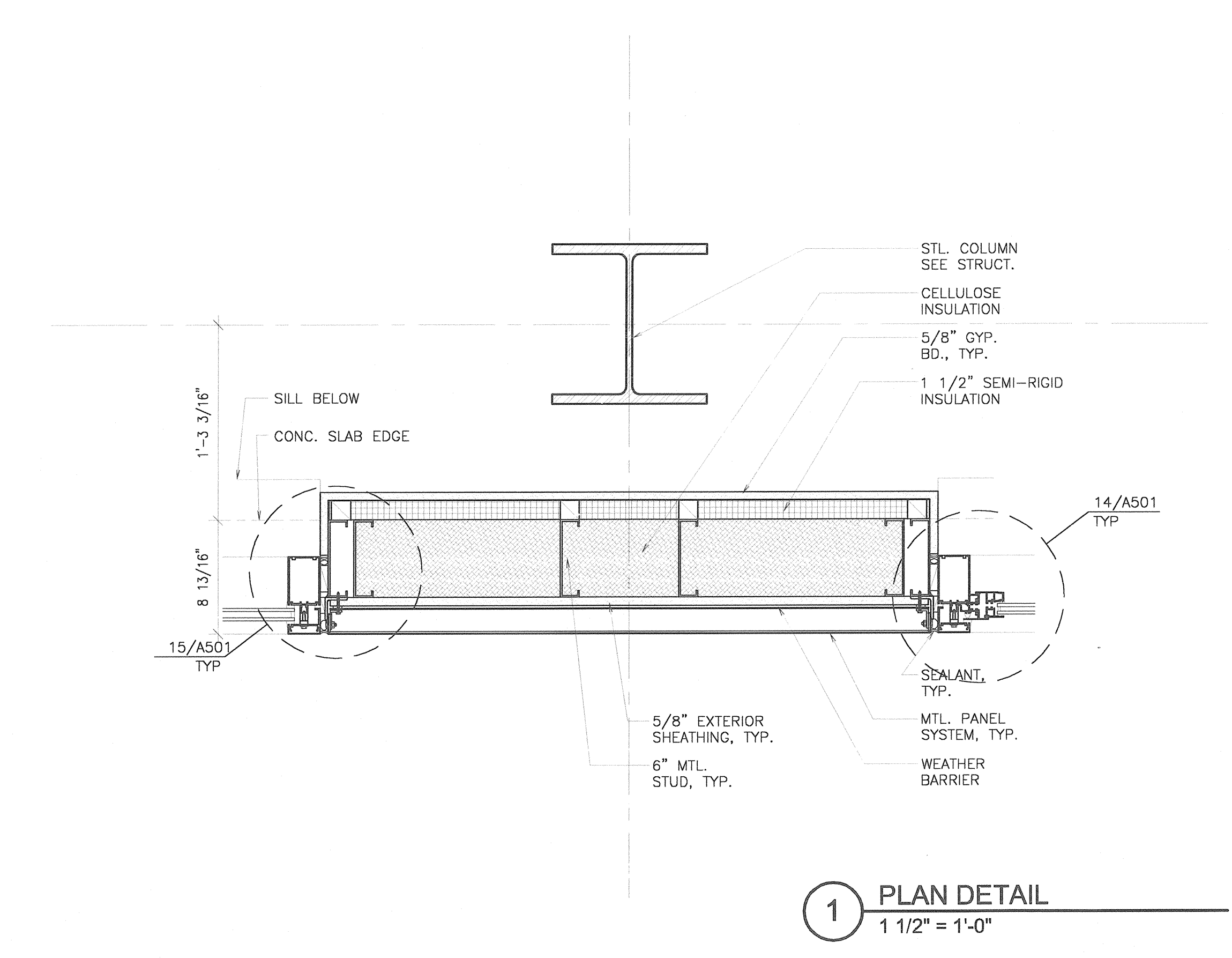
**4 PLAN DETAIL**  
 1 1/2" = 1'-0"



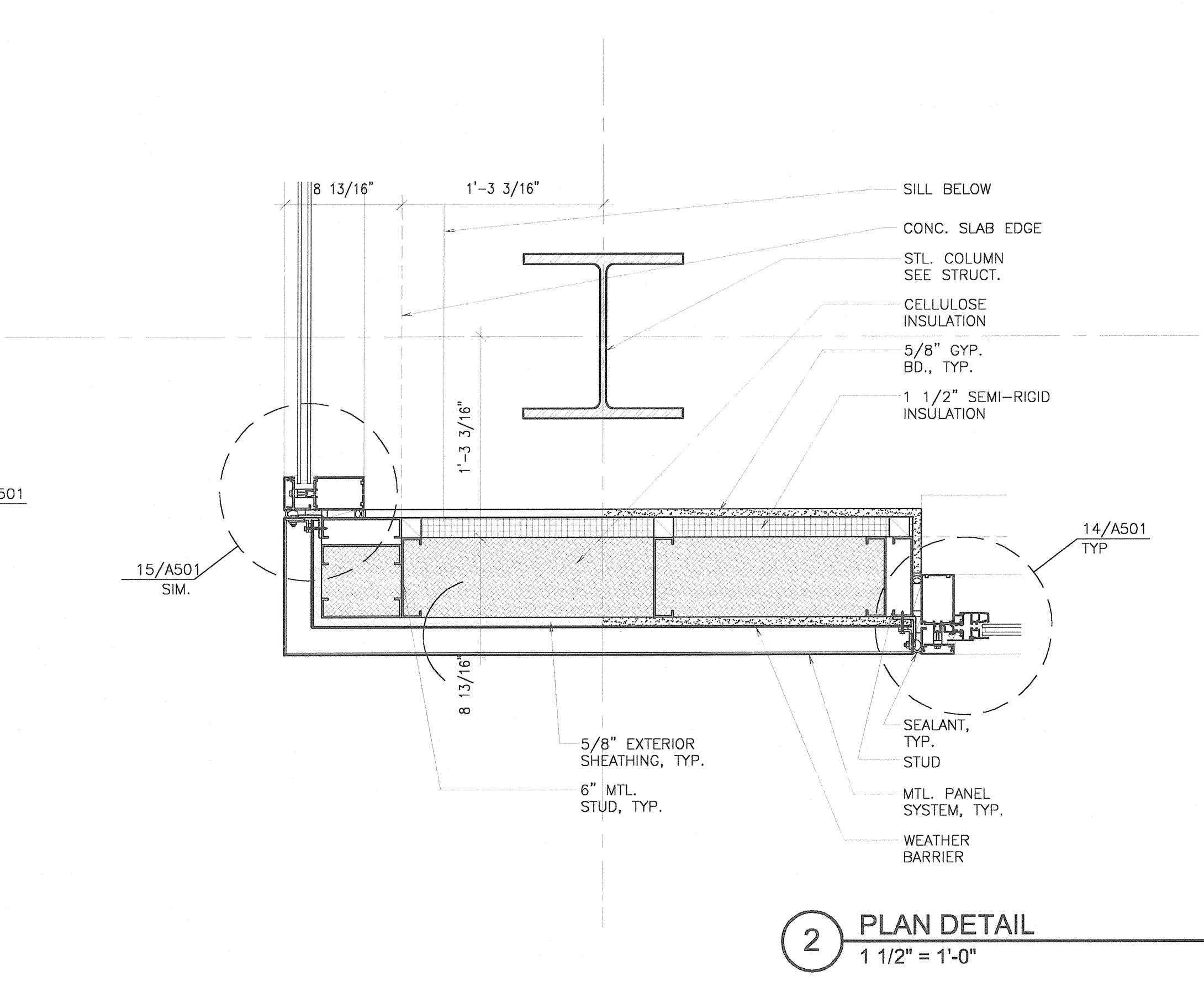
**5 PLAN DETAIL**  
 1 1/2" = 1'-0"



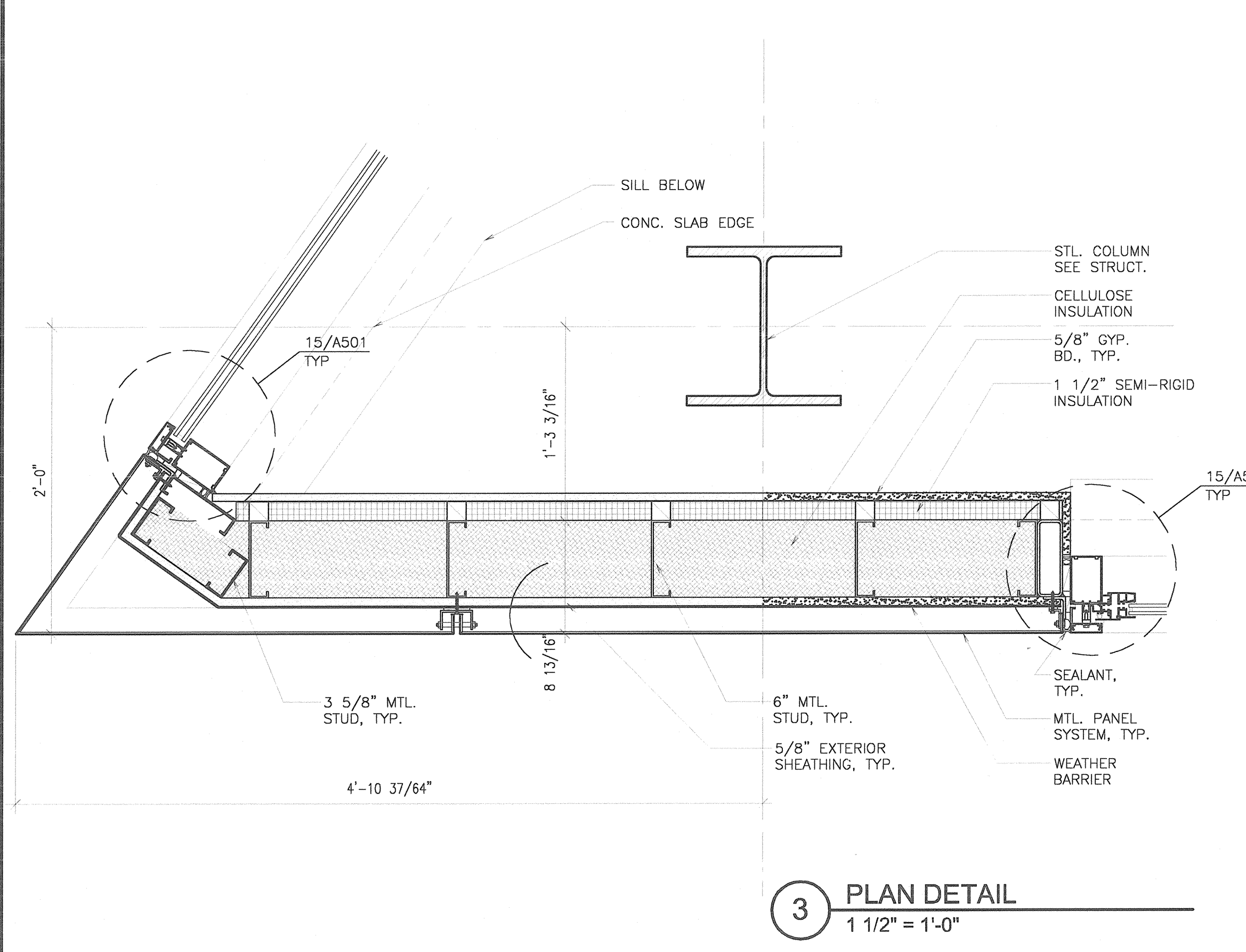
**6 STANDARD DOOR ARRANGEMENT**  
 3/4" = 1'-0"



**1 PLAN DETAIL**  
 1 1/2" = 1'-0"



**2 PLAN DETAIL**  
 1 1/2" = 1'-0"



**3 PLAN DETAIL**  
 1 1/2" = 1'-0"

NOTE: DETAIL PART OF ADD. ALT. #3

NOTE: DETAIL PART OF ADD. ALT. #3

NOTE: DETAIL PART OF ADD. ALT. #3