

M.E. RINKER, Sr. HALL
SCHOOL OF BUILDING CONSTRUCTION

UNIVERSITY OF FLORIDA-GAINESVILLE
PROJECT NO. BR-191

ARCHITECTS
**CROXTON COLLABORATIVE/
GOULD EVANS ASSOCIATES**

CROXTON COLLABORATIVE ARCHITECTS
475 FIFTH AVENUE
NEW YORK, NY 10017
TEL. 212.683.1898
FAX 212.683.2799

GOULD EVANS ASSOCIATES
5405 WEST CYPRESS STREET
TAMPA, FL 33607
TEL. 813.288.0729
FAX 813.288.0231

MECHANICAL ENGINEERS
LEHR ASSOCIATES
130 WEST 30TH STREET
NEW YORK, NY 10001-4092
TEL. 212.947.8050
FAX 212.967.2059

STRUCTURAL ENGINEERS
WALTER P. MOORE
201 EAST KENNEDY BOULEVARD
TAMPA, FL 33602
TEL. 813.221.2424
FAX 813.221.2289

CIVIL ENGINEERS
BROWN & CULLEN, INC.
3530 NW 43 STREET
GAINESVILLE, FL 32605
TEL. 352.375.8999
FAX 352.375.0833

LANDSCAPE ARCHITECTS
McCLAIN DESIGN GROUP, INC.
1843 HWY 39 DRIVE
GAINESVILLE, FL 32605
TEL. 352.372.2808
FAX 352.372.6622

CONSULTANT
SEEGBY-BISCH
AUSSERE SULZBACHER STR. 118
NURNBERG, GERMANY
TEL. 0911/59 90 99
FAX 0911/59 98 05

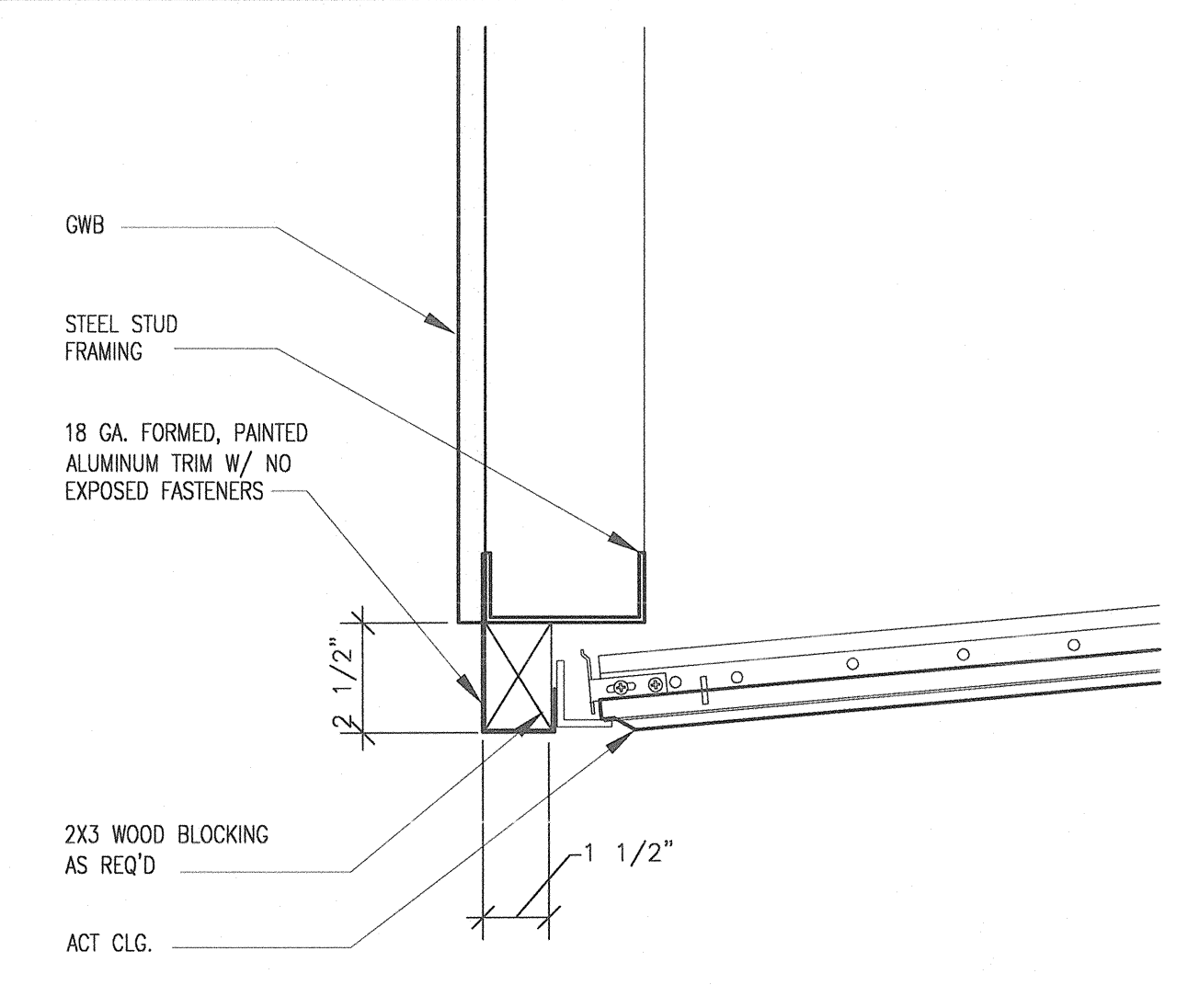
THIS DRAWING, AS AN INSTRUMENT OF SERVICE, IS AND SHALL REMAIN THE PROPERTY OF CROXTON COLLABORATIVE ARCHITECTS. THIS DRAWING SHALL NOT BE REPRODUCED, PUBLISHED, USED ON OTHER PROJECTS, USED FOR ADDITIONS, OR USED IN COMPLETION OF THIS PROJECT BY OTHERS WITHOUT AGREEMENT IN WRITING. © 2001 CROXTON COLLABORATIVE ARCHITECTS/GOULD EVANS ASSOCIATES.

NO. ISSUE/REVISION DATE

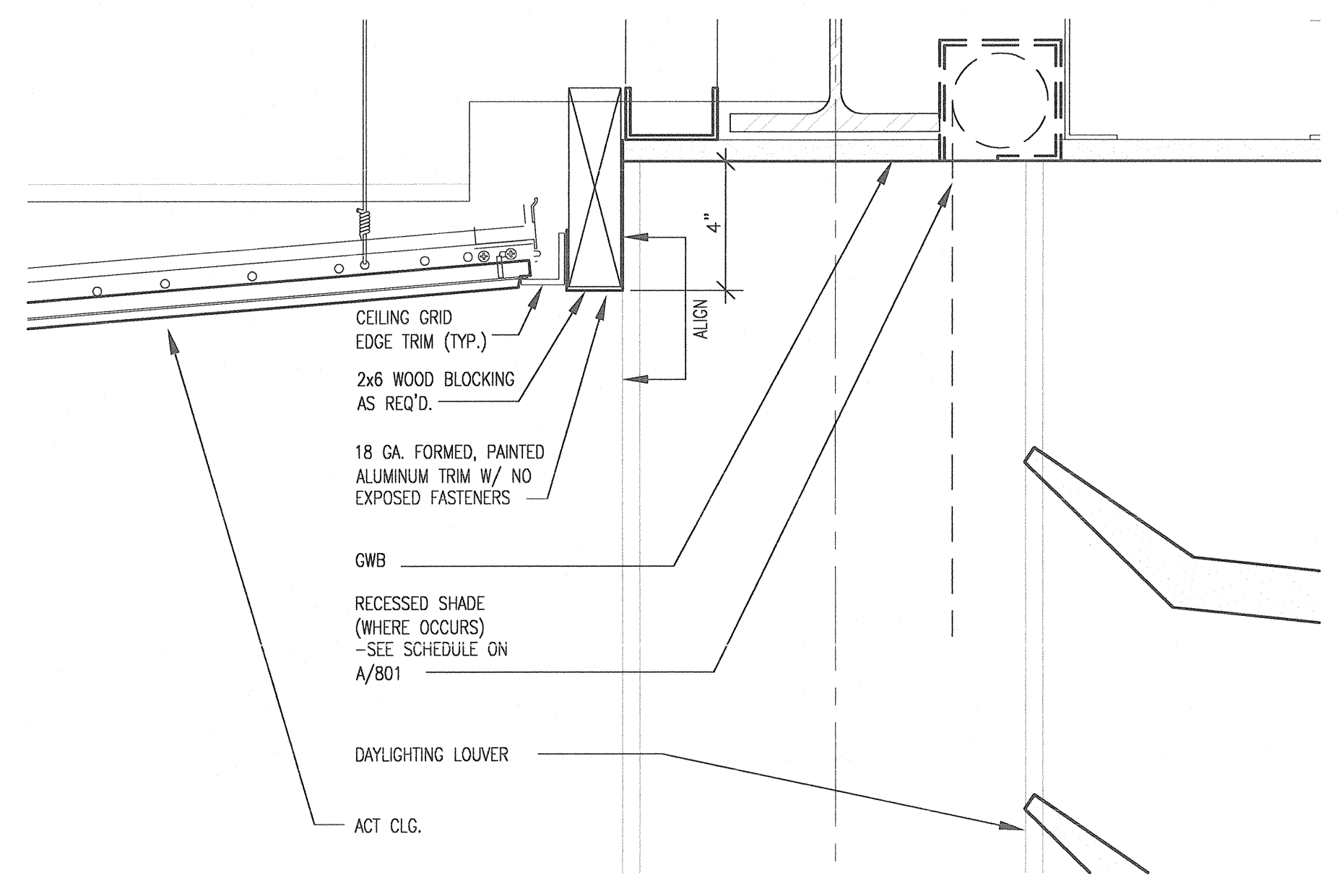
100% CONSTRUCTION DOCUMENTS

DRAWING NAME
CEILING & LOUVER DETAILS

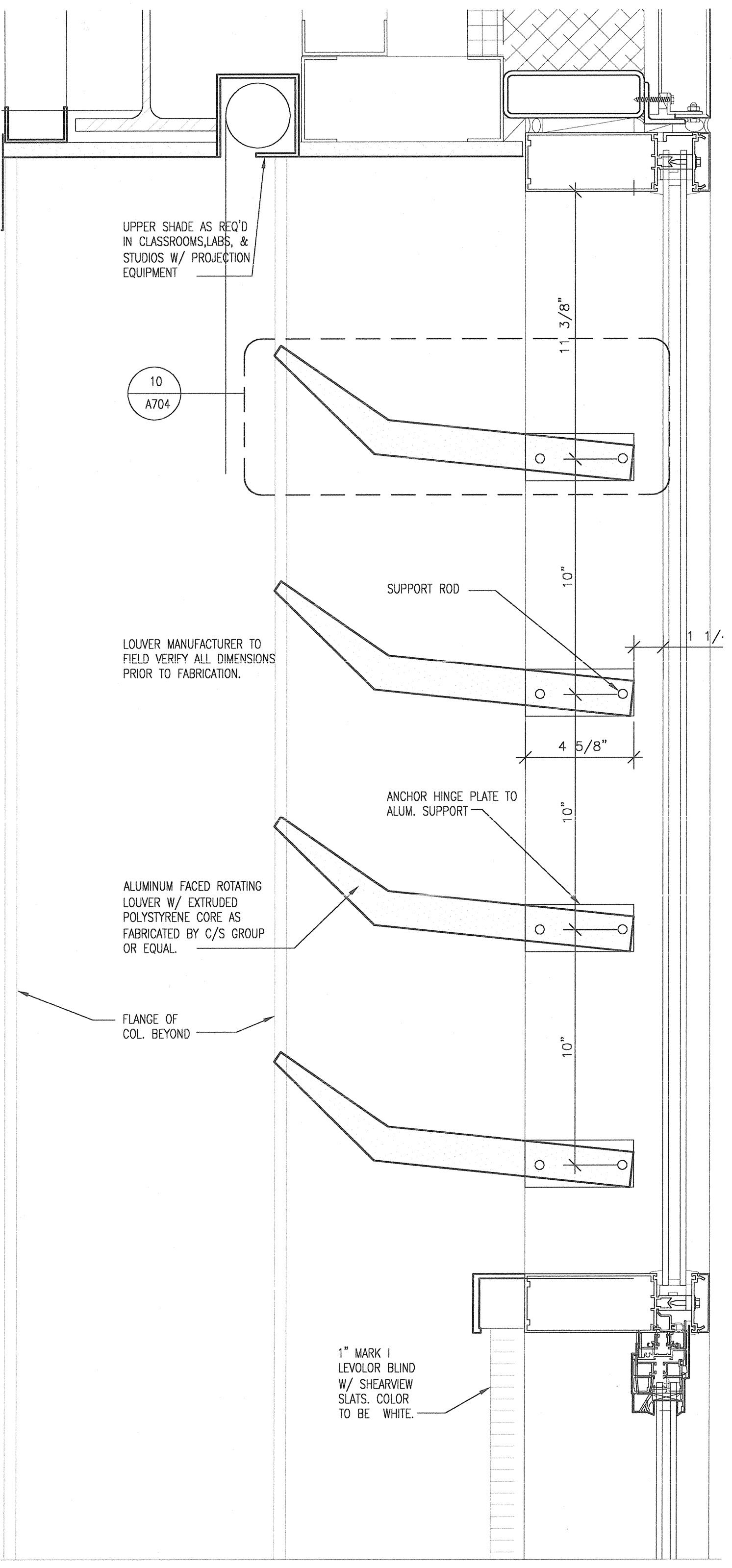
DATE 11/21/01
SCALE 3"=1'-0"
DRAWN BY/DESIGNED BY DLH
DRAWING NUMBER **A704**



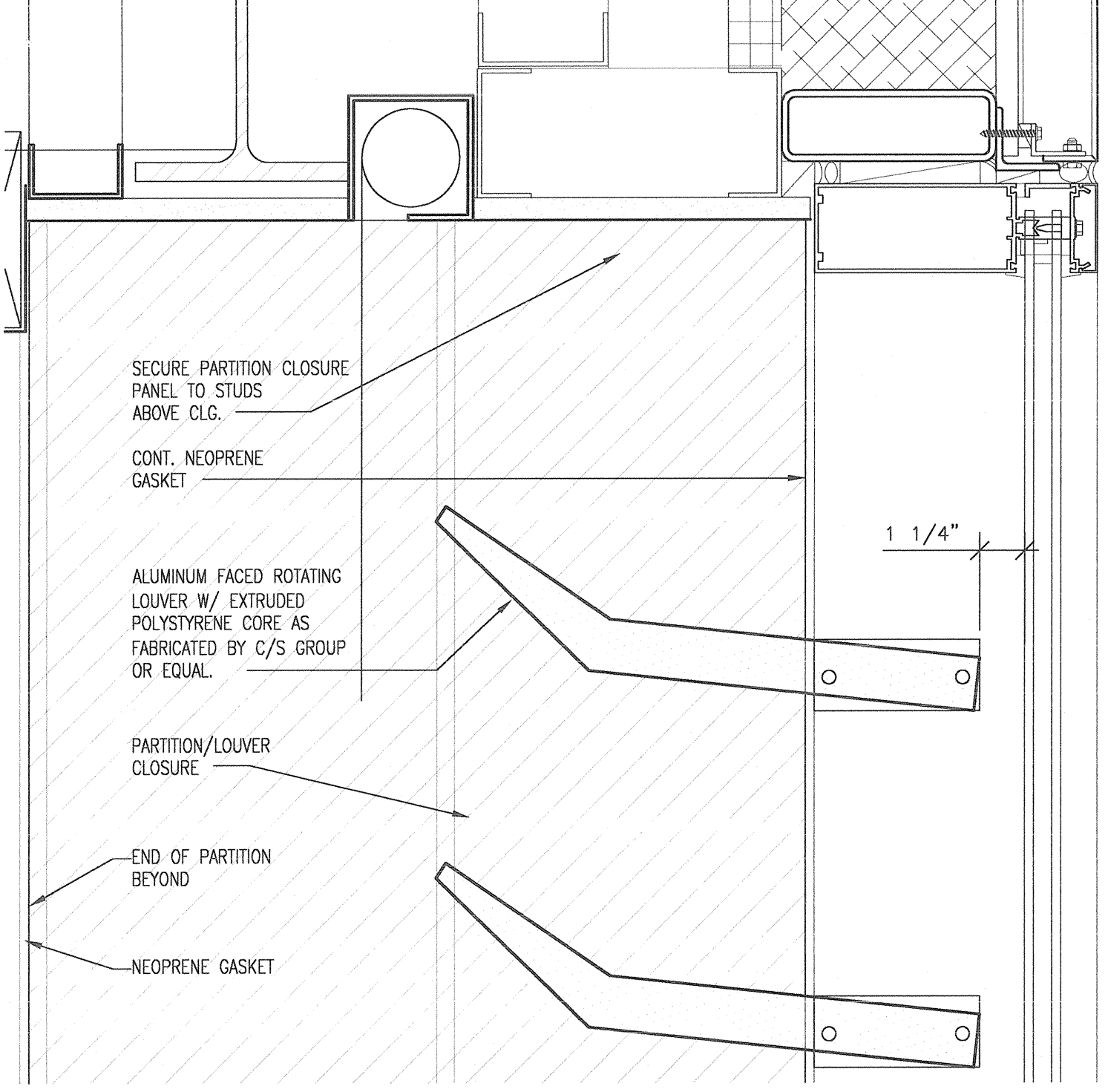
9 CEILING DETAIL
3"=1'-0"



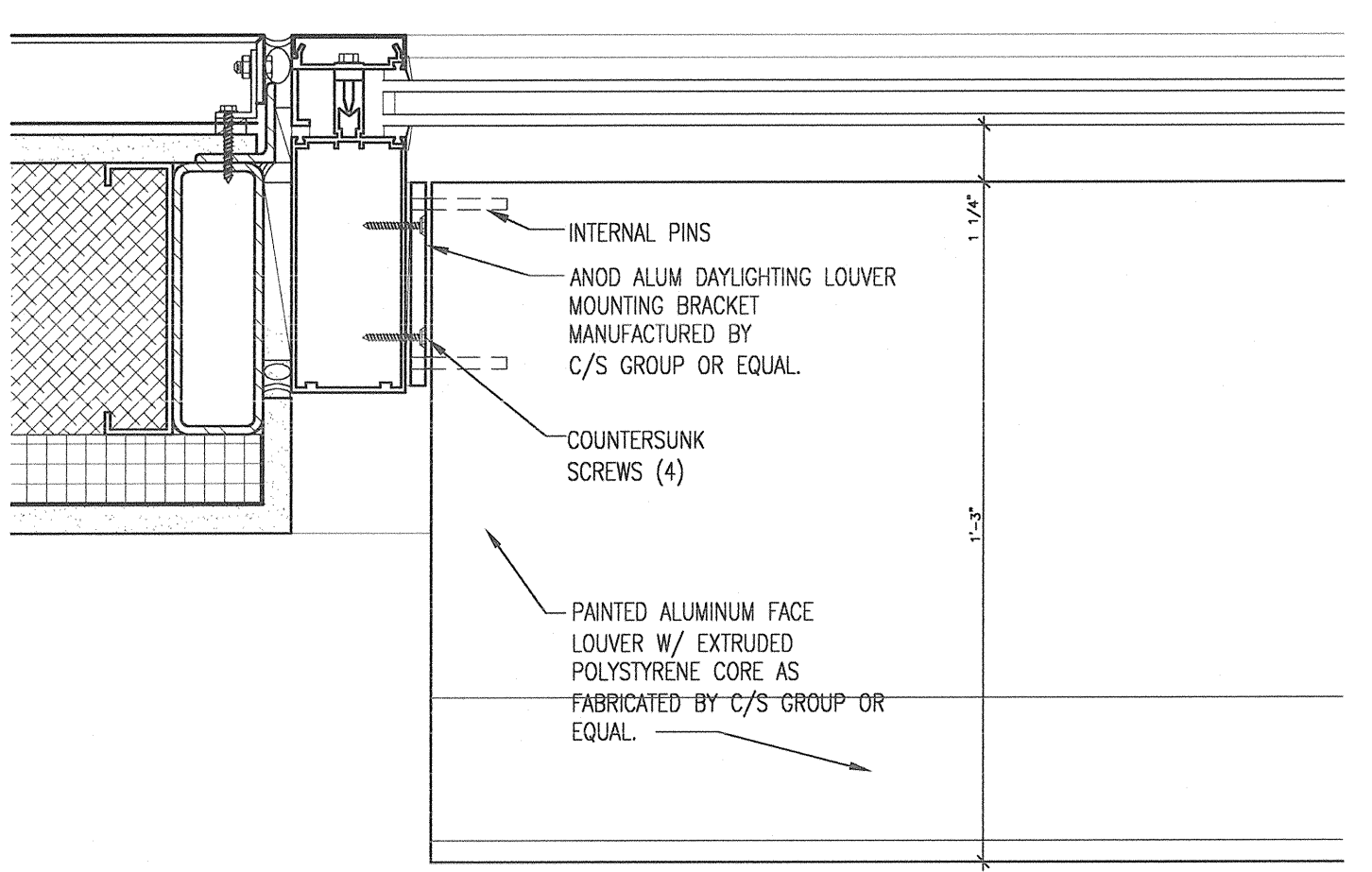
8 CEILING DETAIL
3"=1'-0"



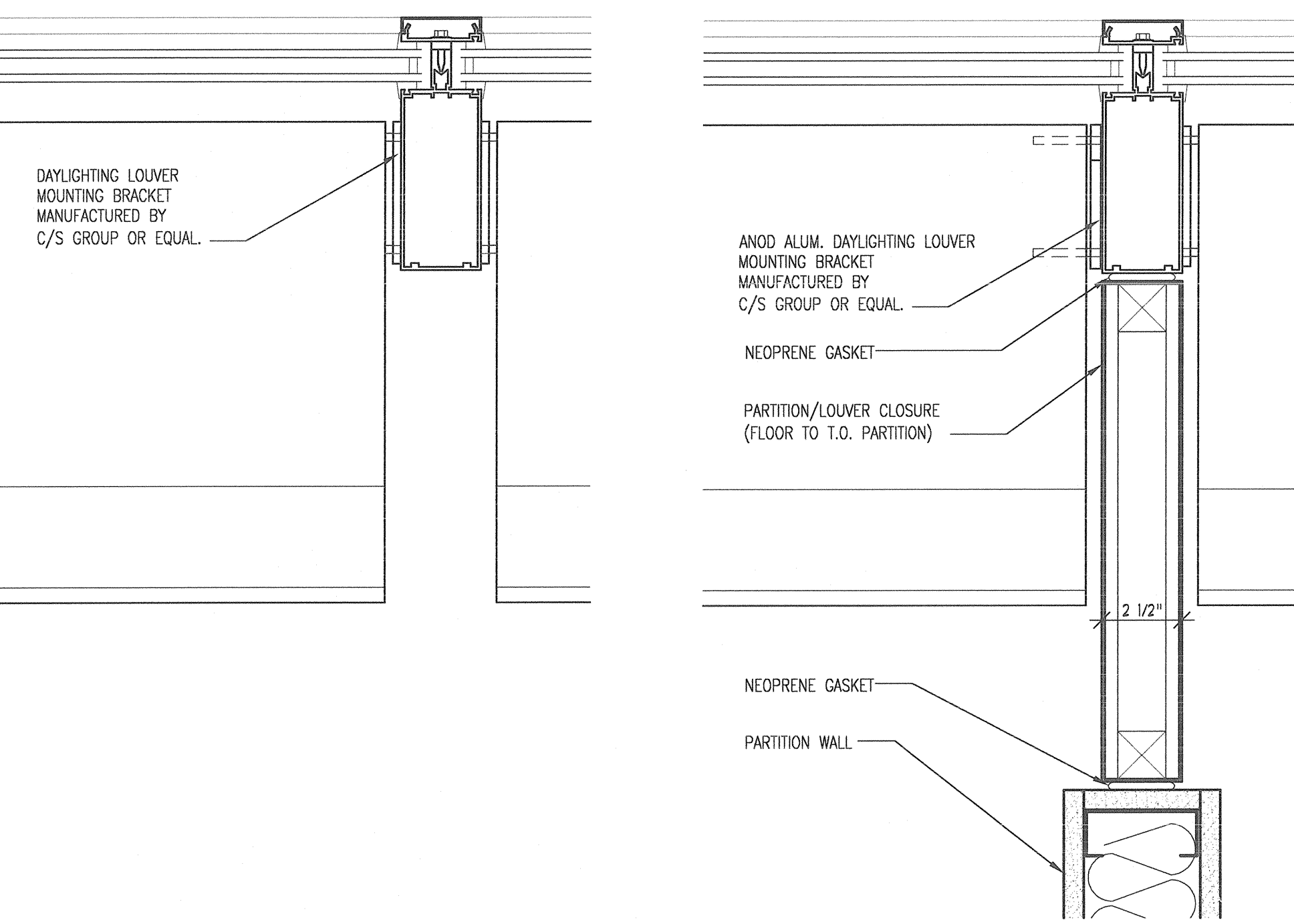
4 LOUVER SECTION (TYP.)
3"=1'-0"



3 LOUVER SECTION @ PARTITION CLOSURE
3"=1'-0"

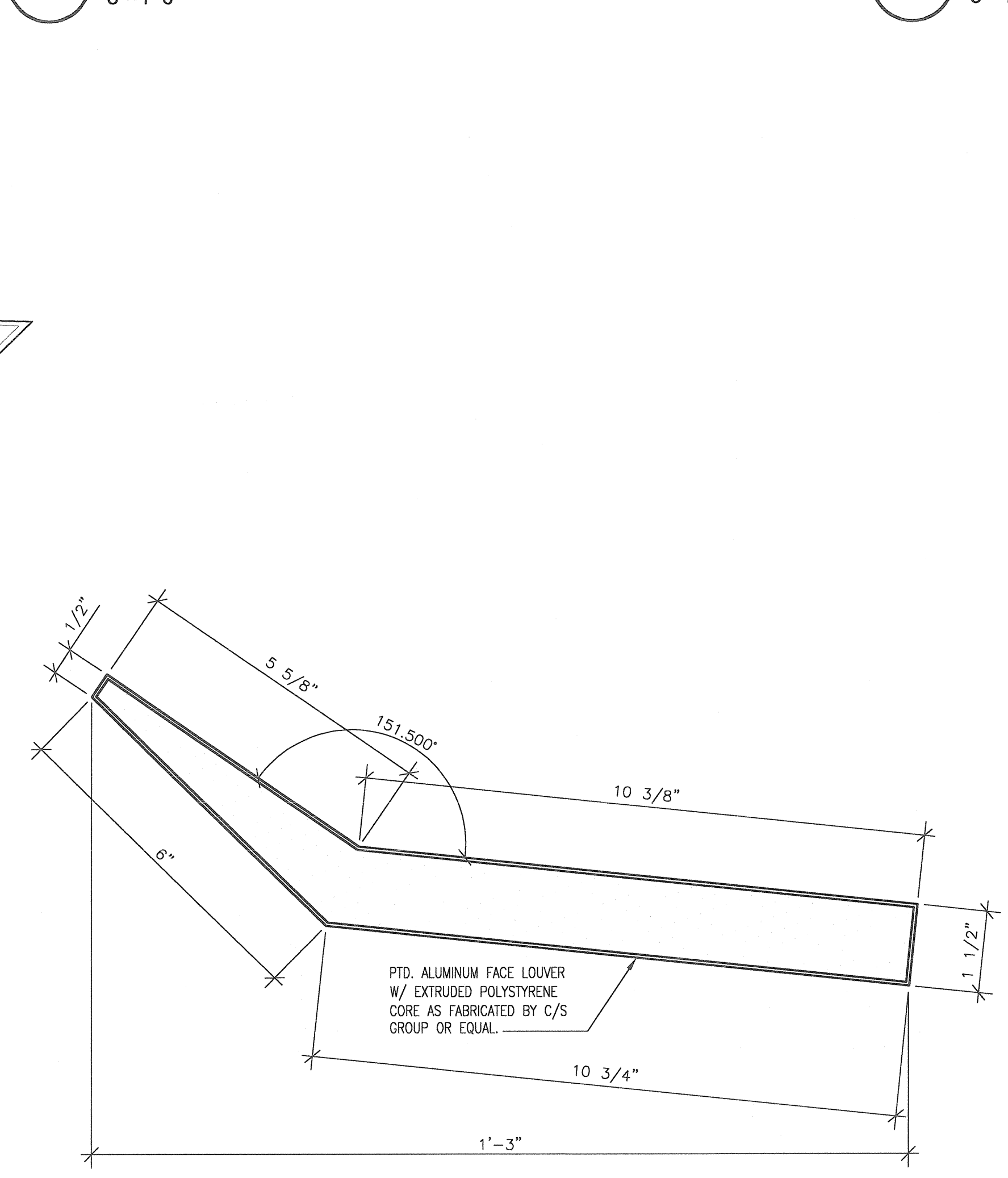


7 PLAN DETAIL: LOUVER
3"=1'-0"

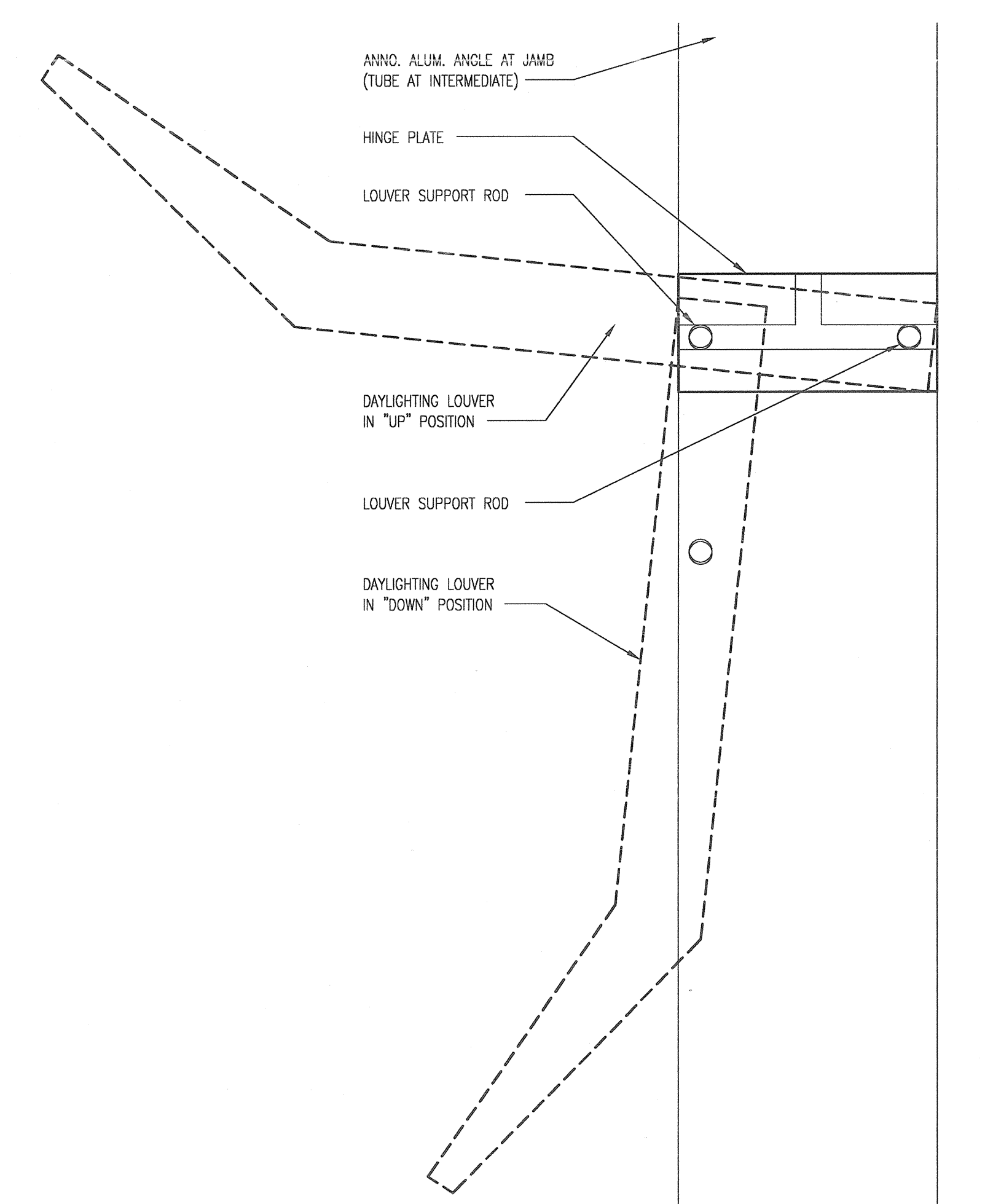


6 LOUVER DETL. @ INTERM. MUL.
3"=1'-0"

5 LOUVER DETL. @ PART. CLOSURE
3"=1'-0"



2 LOUVER DETAIL
6"=1'-0"



1 LOUVER DETAIL
6"=1'-0"