



**M.E. RINKER, Sr. HALL**  
SCHOOL OF BUILDING CONSTRUCTION

UNIVERSITY OF FLORIDA-GAINESVILLE  
PROJECT NO. BR-191

ARCHITECTS  
CROXTON COLLABORATIVE/  
GOULD EVANS ASSOCIATES

CROXTON COLLABORATIVE ARCHITECTS  
475 FIFTH AVENUE  
NEW YORK, NY 10017  
TEL. 212.683.1998  
FAX 212.683.2799

GOULD EVANS ASSOCIATES  
5405 WEST CYPRESS STREET  
TAMPA, FL 33607  
TEL. 813.288.0729  
FAX 813.288.0231

MECHANICAL ENGINEERS  
LEHR ASSOCIATES

130 WEST 30TH STREET  
NEW YORK, NY 10001-4092  
TEL. 212.947.8050  
FAX 212.967.2059

STRUCTURAL ENGINEERS  
WALTER P. MOORE

201 EAST KENNEDY BOULEVARD  
TAMPA, FL 33602  
TEL. 813.221.2424  
FAX 813.221.2289

CIVIL ENGINEERS  
BROWN & COLLIER, INC.

3530 NW 43 STREET  
GAINESVILLE, FL 32605  
TEL. 352.375.8999  
FAX 352.375.0633

LANDSCAPE ENGINEERS  
McCLAIN DESIGN GROUP, INC.

1843 NW 39 DRIVE  
GAINESVILLE, FL 32605  
TEL. 352.372.2808  
FAX 352.372.6822

CONSULTING  
SEEGY-BISCH

AUSSERER SULZBACHER STR. 118  
NURNBERG, GERMANY  
TEL. 0911/59 90 99  
FAX 0911/59 98 05

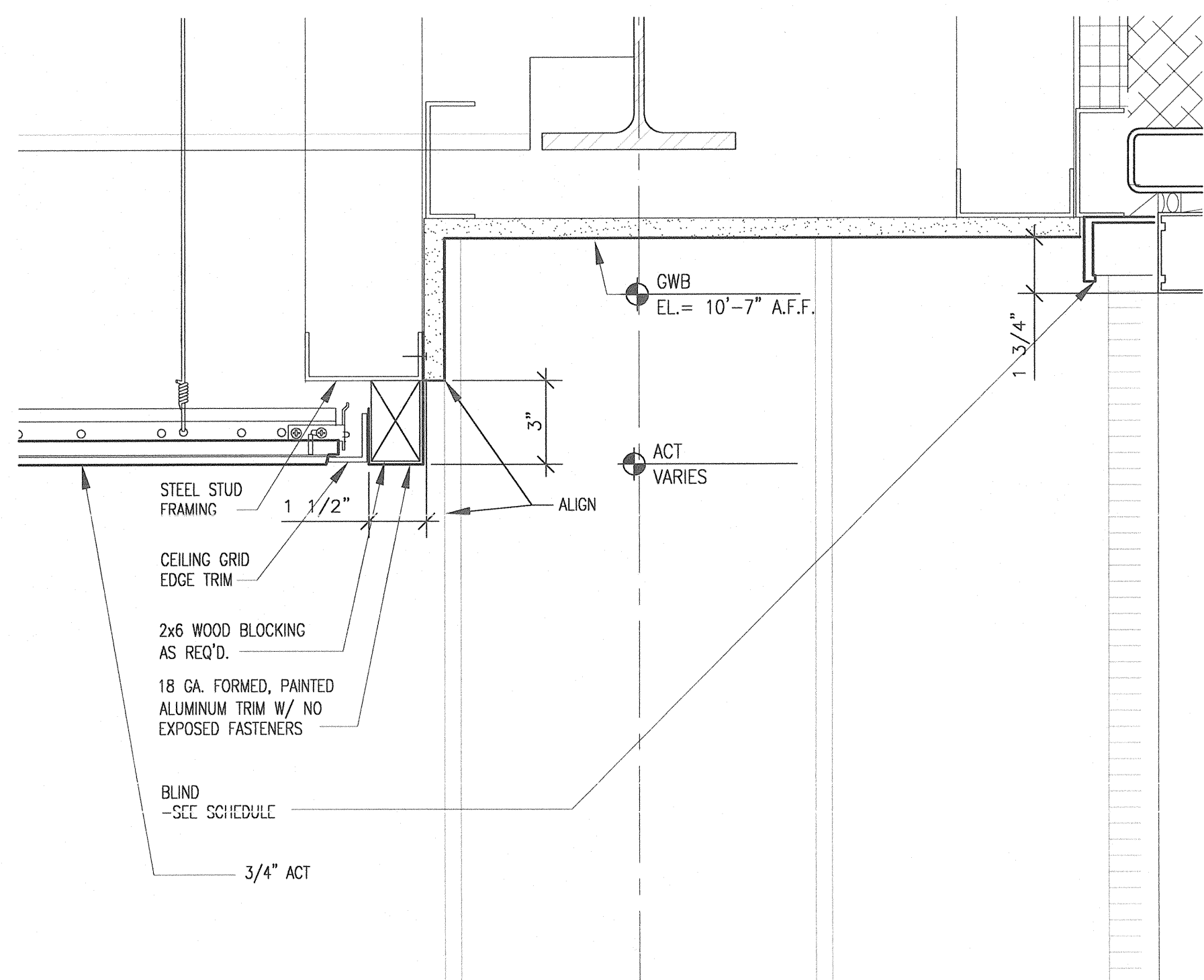
THIS DRAWING IS AN INSTRUMENT OF SERVICE AND SHALL REMAIN THE PROPERTY OF CROXTON COLLABORATIVE ARCHITECTS. THIS DRAWING SHALL NOT BE REPRODUCED, PUBLISHED, USED ON OTHER PROJECTS, USED FOR ADDITIONS, OR USED IN COMPLETION OF THIS PROJECT BY OTHERS EXCEPT BY AGREEMENT IN WRITING. © 2001 CROXTON COLLABORATIVE ARCHITECTS/GOULD EVANS ASSOCIATES.

NO. ISSUE/REVISION DATE

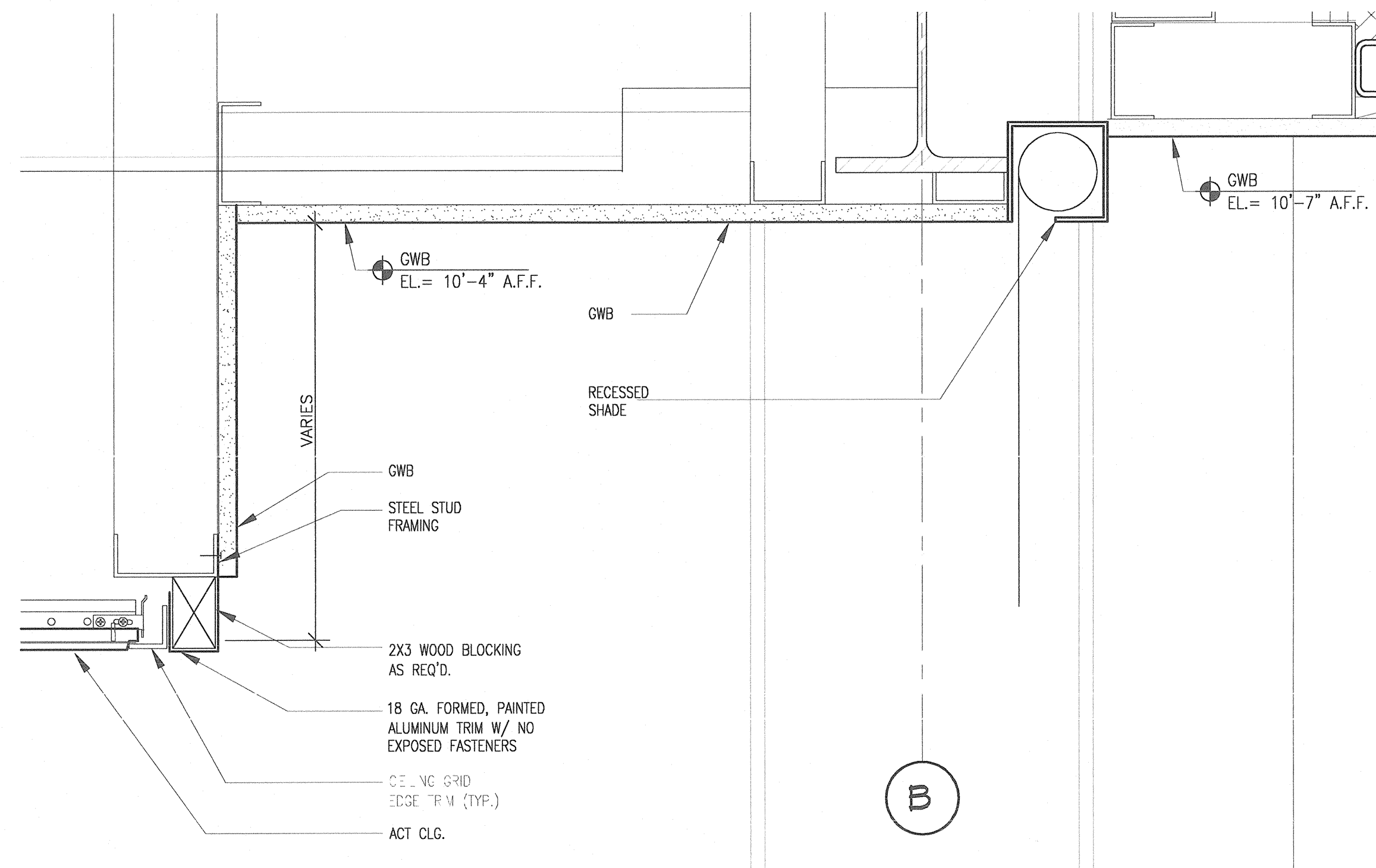
**100% CONSTRUCTION DOCUMENTS**

DRAWING TITLE  
**CEILING DETAILS**

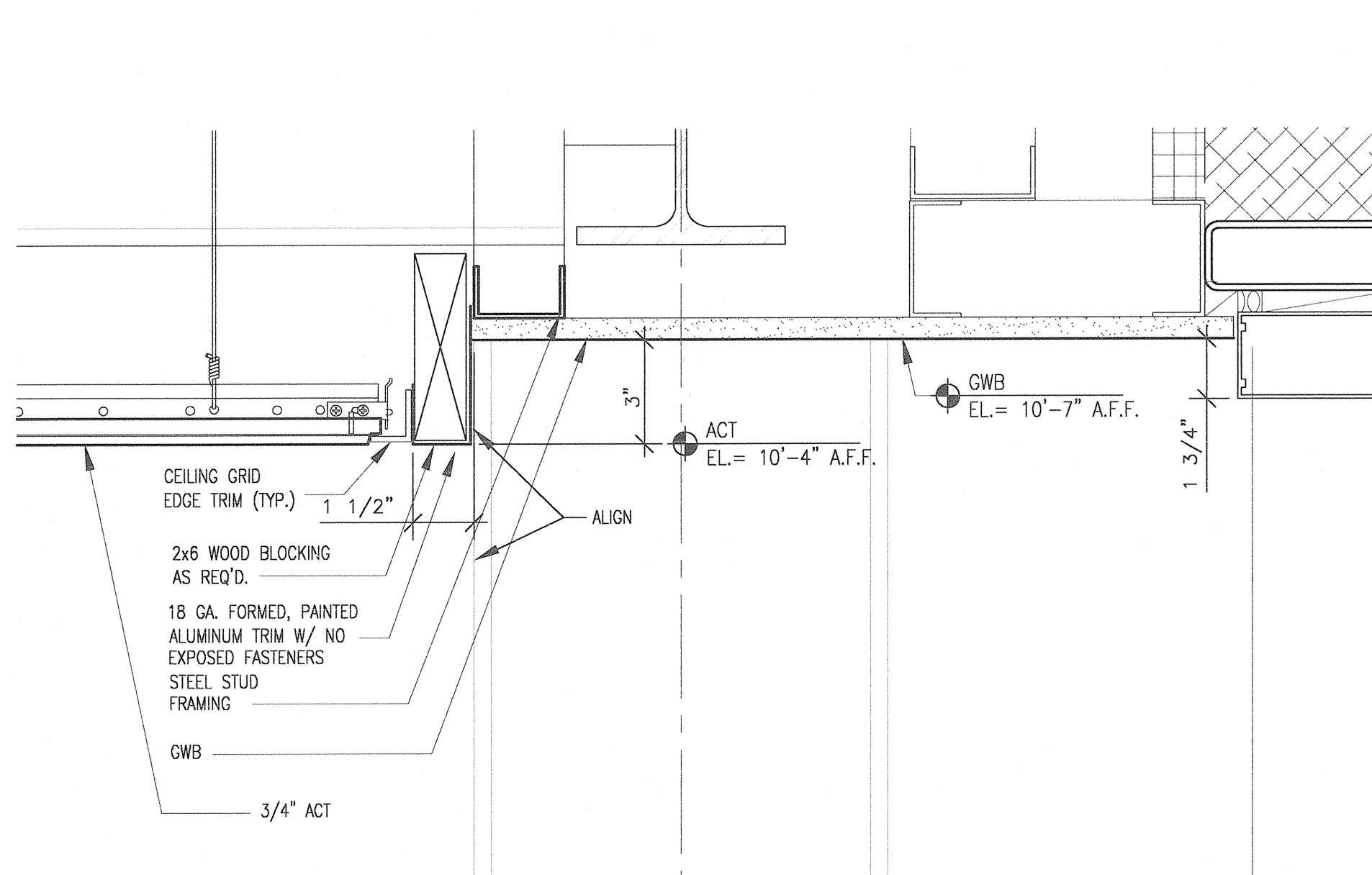
DATE 11/21/01  
SCALE 3"=1'-0"  
DRAWN BY/CHECKED BY  
**A705**  
DLH



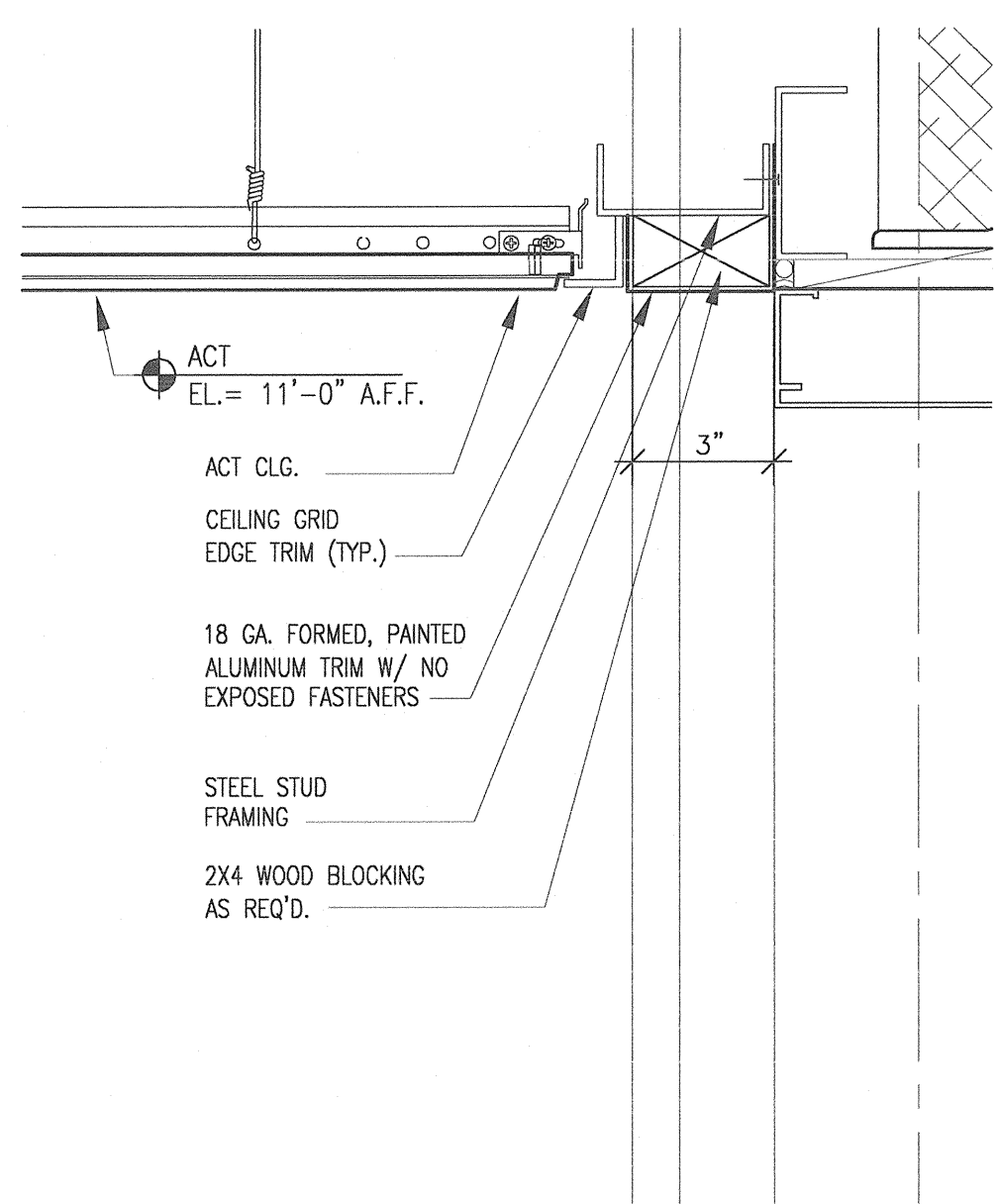
**10** CEILING DETAIL: RM 0206  
3"=1'-0"



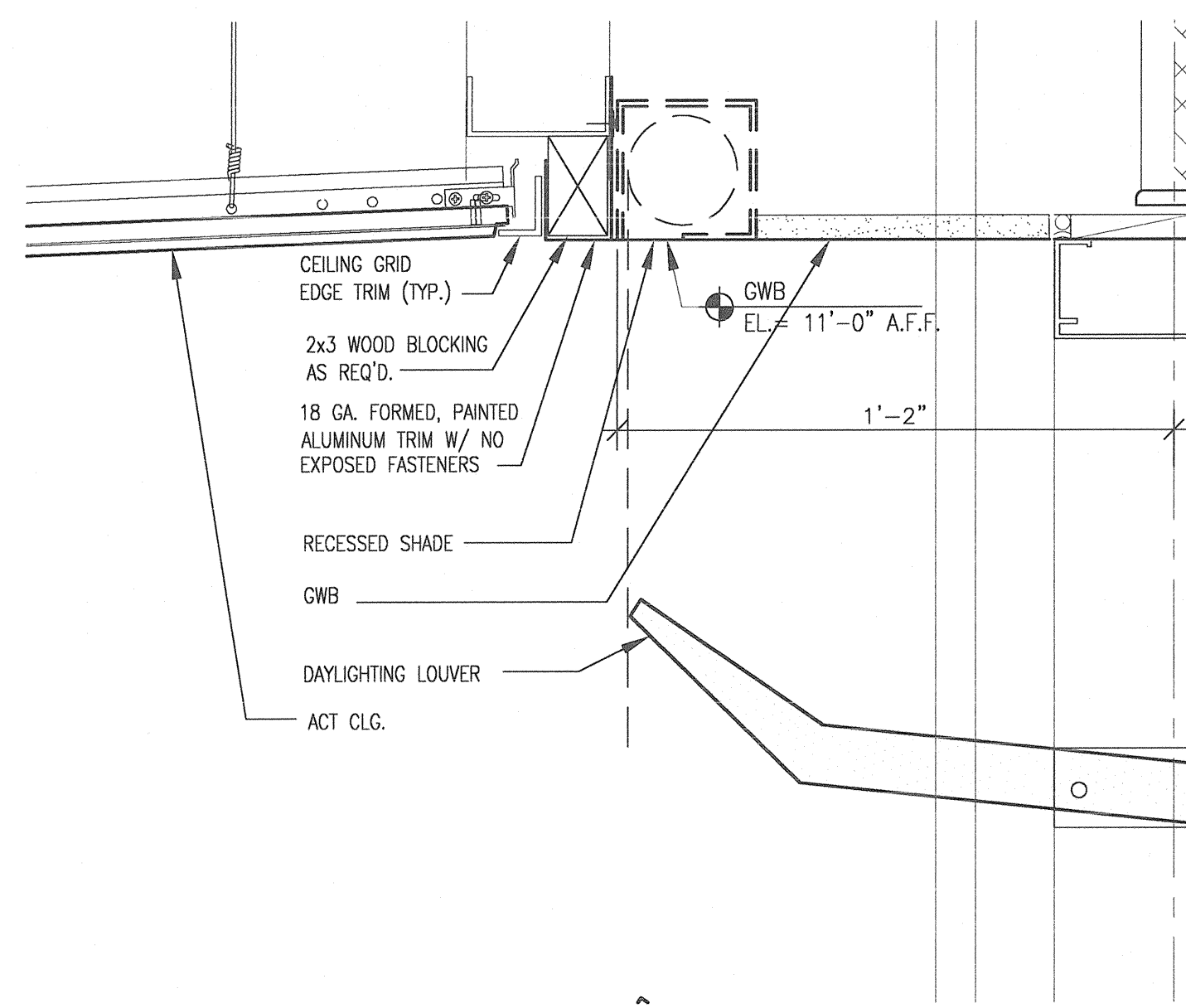
**9** CEILING DETAIL: RM 0206 (TYP.)  
3"=1'-0"



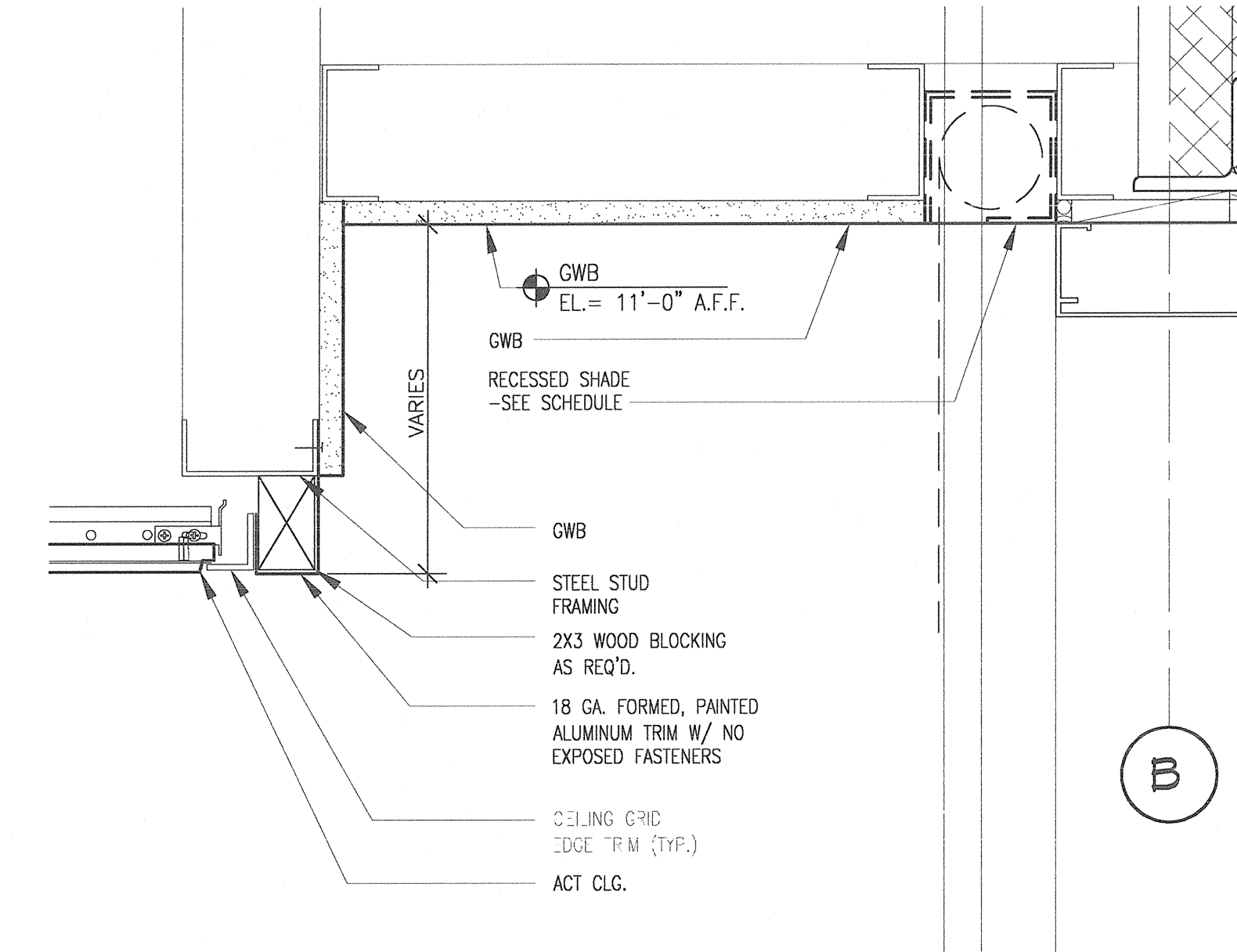
**8** CEILING DETAIL: W.C. @ FL 02, 03  
3"=1'-0"



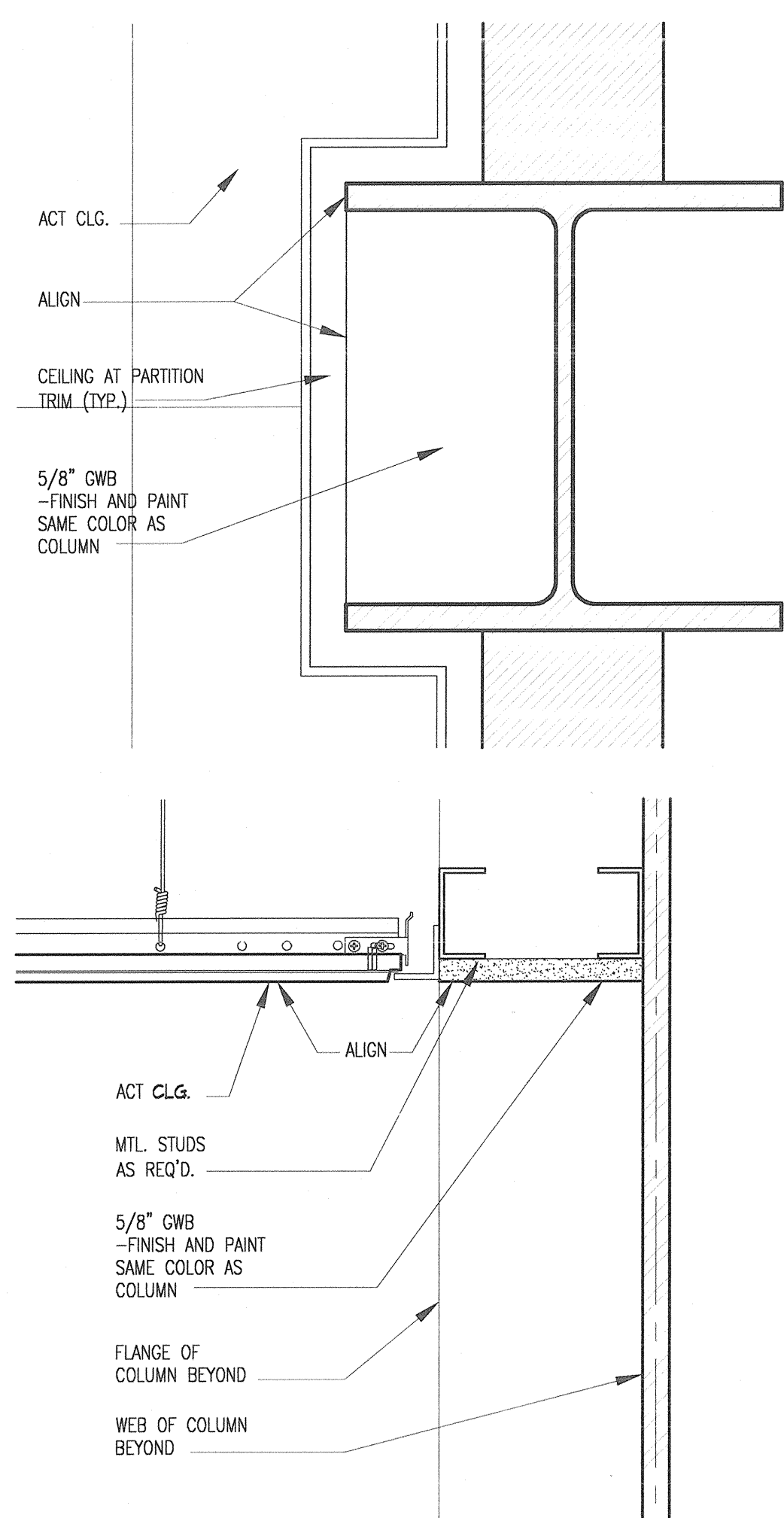
**7** CEILING DETAIL: W.C. @ FL 01  
3"=1'-0"



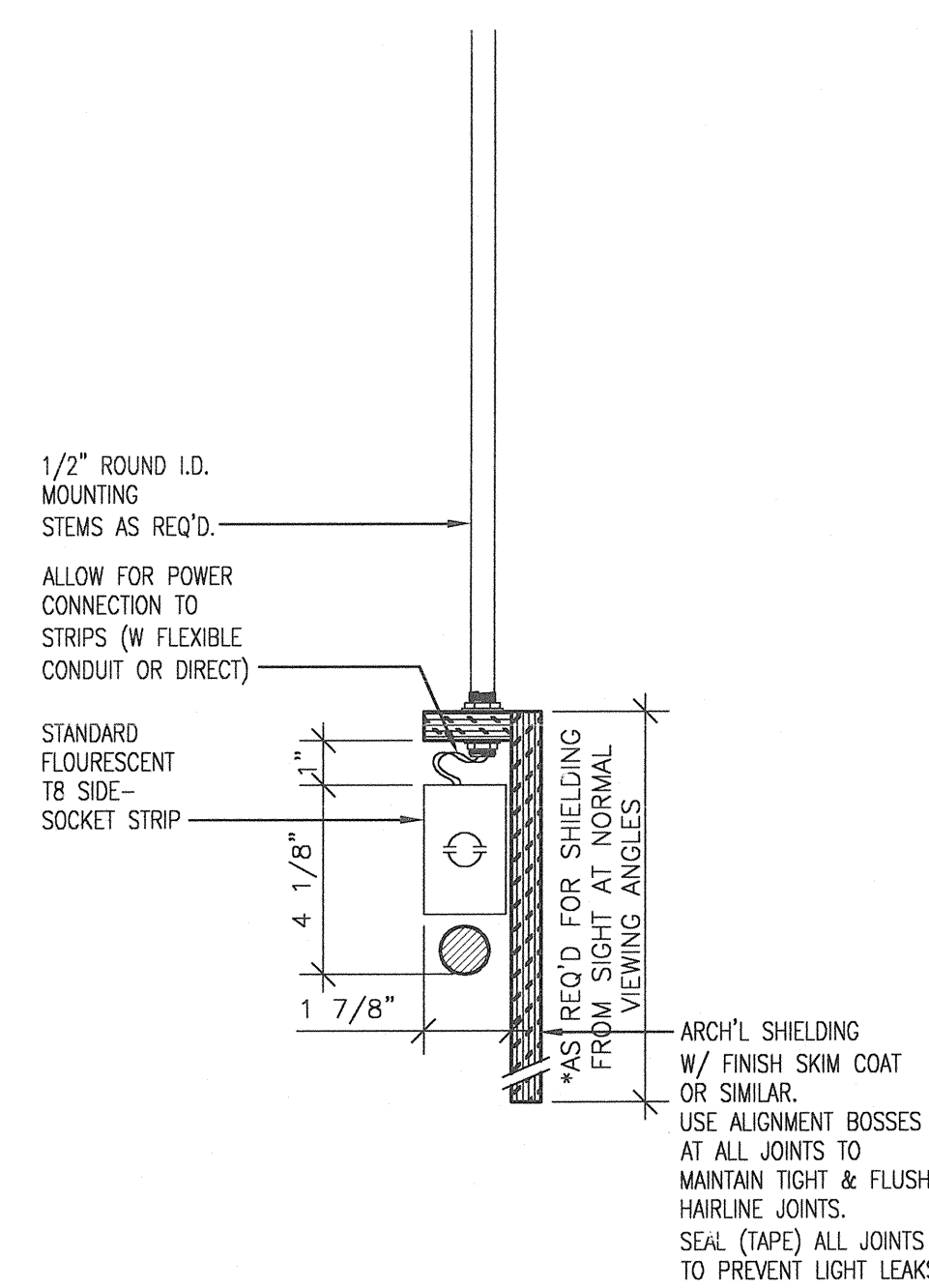
**6** CEILING DETAIL: RM 0140 (TYP.)  
3"=1'-0"



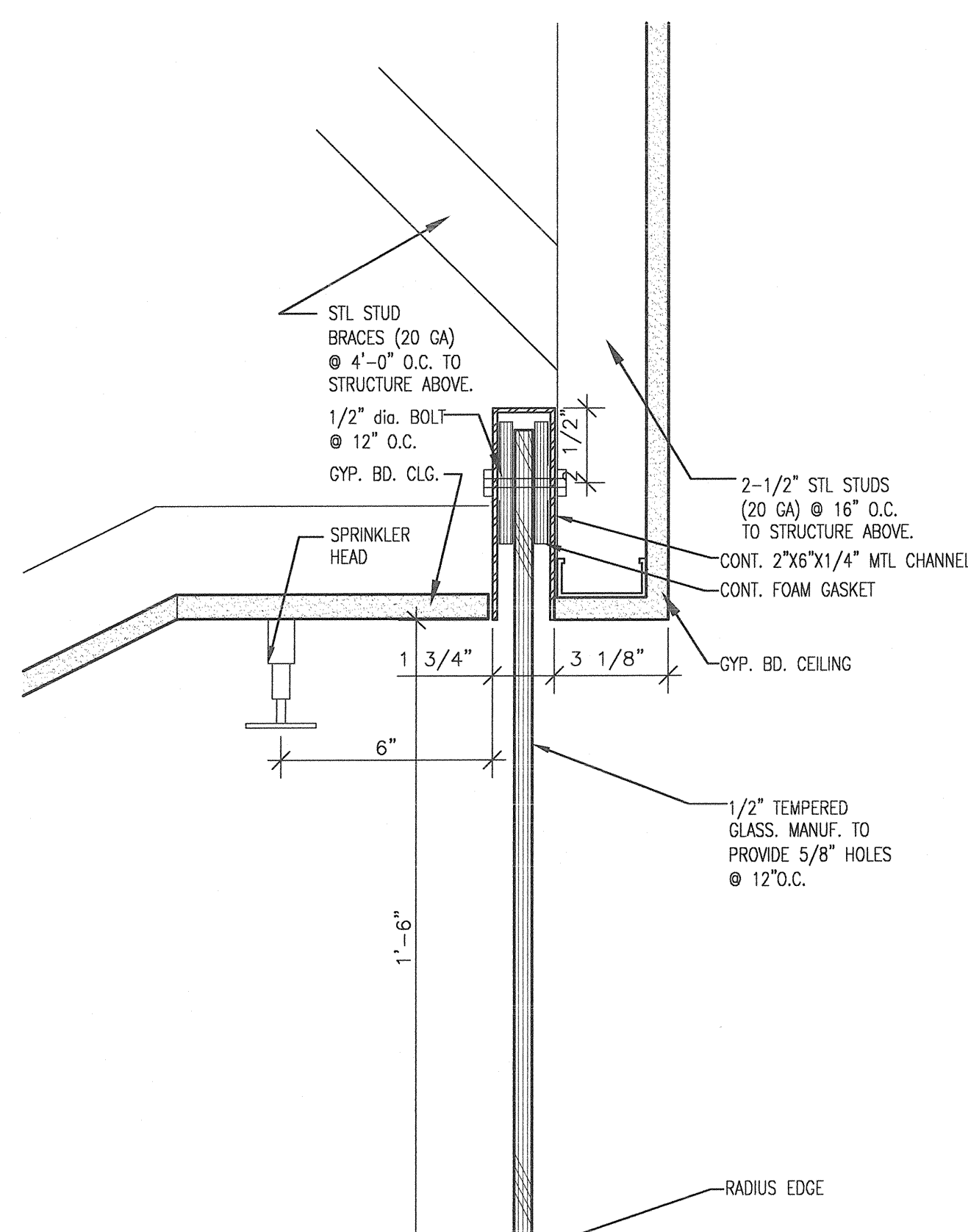
**5** CEILING DETAIL: RM 0106 (TYP.)  
3"=1'-0"



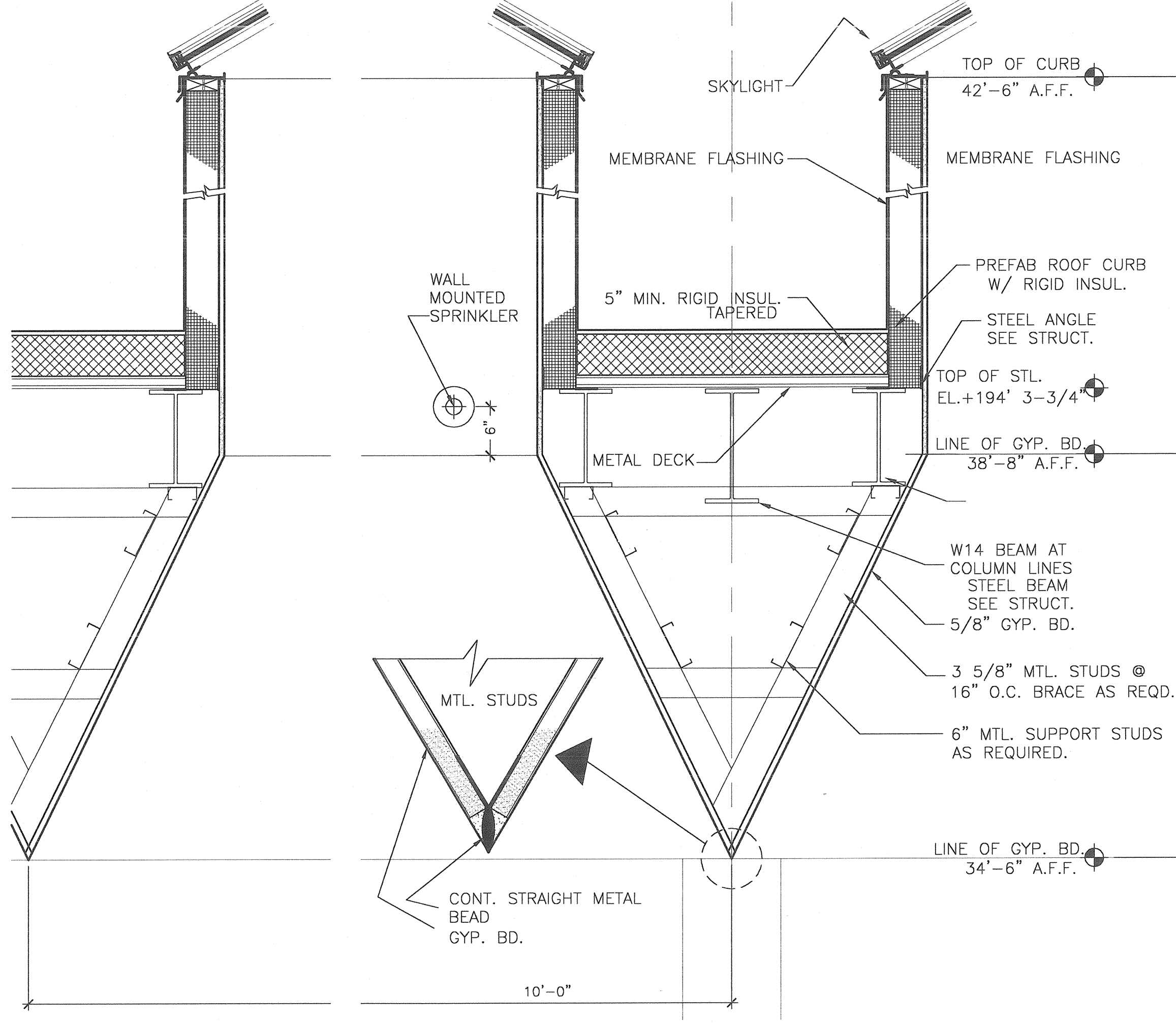
**4** CEILING DETAILS: ACT @ STL. COLUMN (TYP.)  
3"=1'-0"



**3** FIXTURE "Q" DETAIL (TYP.)  
3"=1'-0"



**2** CEILING DETAIL: DRAFT STOP (TYP.)  
3"=1'-0"



**1** SKYLIGHT/ATRIUM CEILING DETAIL (TYP.)  
1"=1'-0"