

M.E. RINKER, Sr. HALL
 SCHOOL OF BUILDING CONSTRUCTION
 UNIVERSITY OF FLORIDA-GAINESVILLE
 PROJECT NO. BR-191

ARCHITECTS
CROXTON COLLABORATIVE/ GOULD EVANS ASSOCIATES
 CROXTON COLLABORATIVE ARCHITECTS
 475 FIFTH AVENUE
 NEW YORK, NY 10017
 TEL 212.683.1998
 FAX 212.683.2799

GOULD EVANS ASSOCIATES
 5405 WEST CYPRESS STREET
 TAMPA, FL 33607
 TEL 813.288.0729
 FAX 813.288.0231

MECHANICAL ENGINEERS
LEHR ASSOCIATES
 130 WEST 30TH STREET
 NEW YORK, NY 10001-4092
 TEL 212.947.8050
 FAX 212.967.2059

STRUCTURAL ENGINEERS
WALTER P. MOORE
 201 EAST KENNEDY BOULEVARD
 TAMPA, FL 33602
 TEL 813.221.2424
 FAX 813.221.2289

CIVIL ENGINEERS
BROWN & CULLEN, INC.
 3530 NW 43 STREET
 GAINESVILLE, FL 32605
 TEL 352.376.8999
 FAX 352.375.0833

LANDSCAPE ENGINEERS
McCLAIN DESIGN GROUP, INC.
 1843 NW 39 DRIVE
 GAINESVILLE, FL 32605
 TEL 352.572.2808
 FAX 352.572.6622

CONSULTANT
SEEGY-BISCH
 AUSSERE SULZBACHER STR. 118
 NURNBERG, GERMANY
 TEL 0911/59 90 99
 FAX 0911/59 98 05

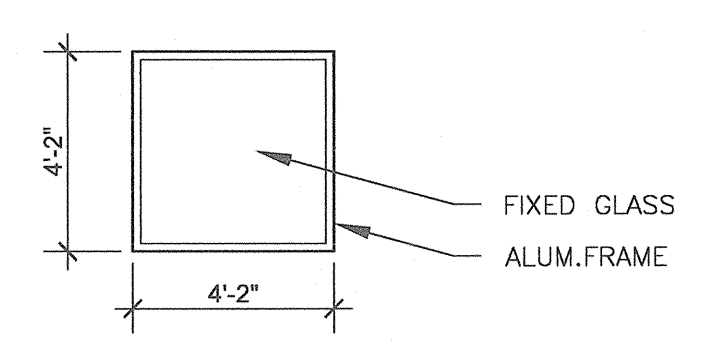
THIS DRAWING, AS AN INSTRUMENT OF SERVICE, IS AND SHALL REMAIN, PROPERTY OF CROXTON COLLABORATIVE ARCHITECTS. THIS DRAWING SHALL NOT BE REPRODUCED, PUBLISHED, USED ON OTHER PROJECTS, USED FOR ADDITIONS, OR USED IN COMPLETION OF THIS PROJECT BY OTHERS EXCEPT BY AGREEMENT IN WRITING. © 2001 CROXTON COLLABORATIVE ARCHITECTS/ GOULD EVANS ASSOCIATES.

NO. 1552/REVISED DATE

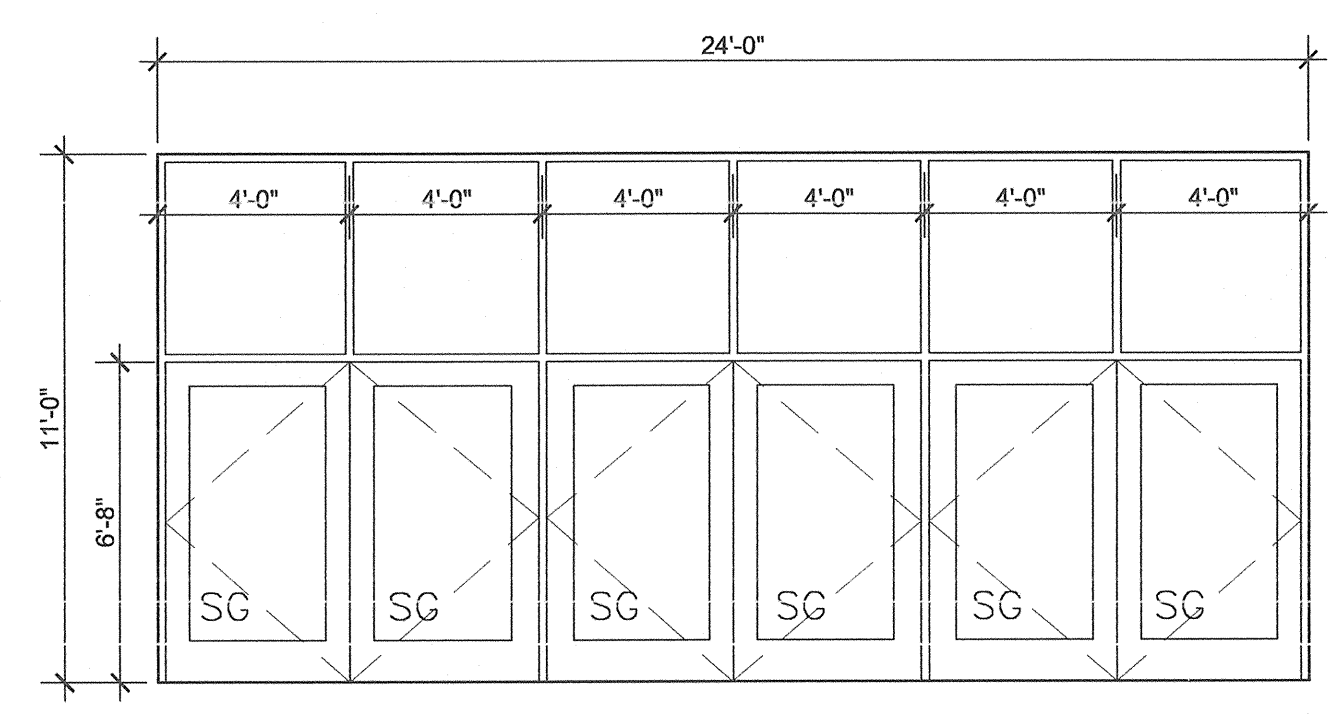
100% CONSTRUCTION DOCUMENTS

DRAWING NAME
EXTERIOR WINDOW TYPES AND SCHEDULE

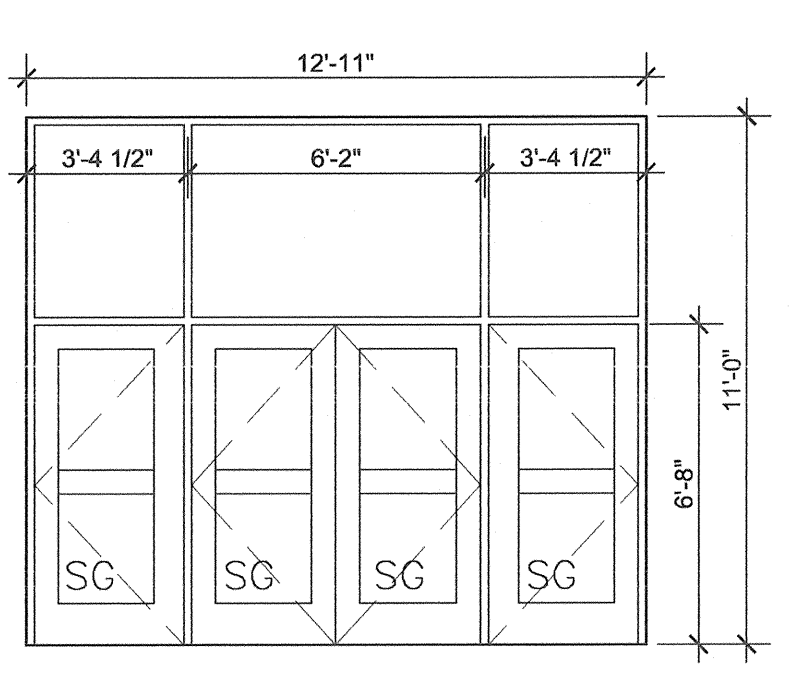
DATE 11/21/01
 SCALE 1/4"=1'-0"
 DRAWN BY/DESIGNED BY
 DWG NO. **A802**
 IW



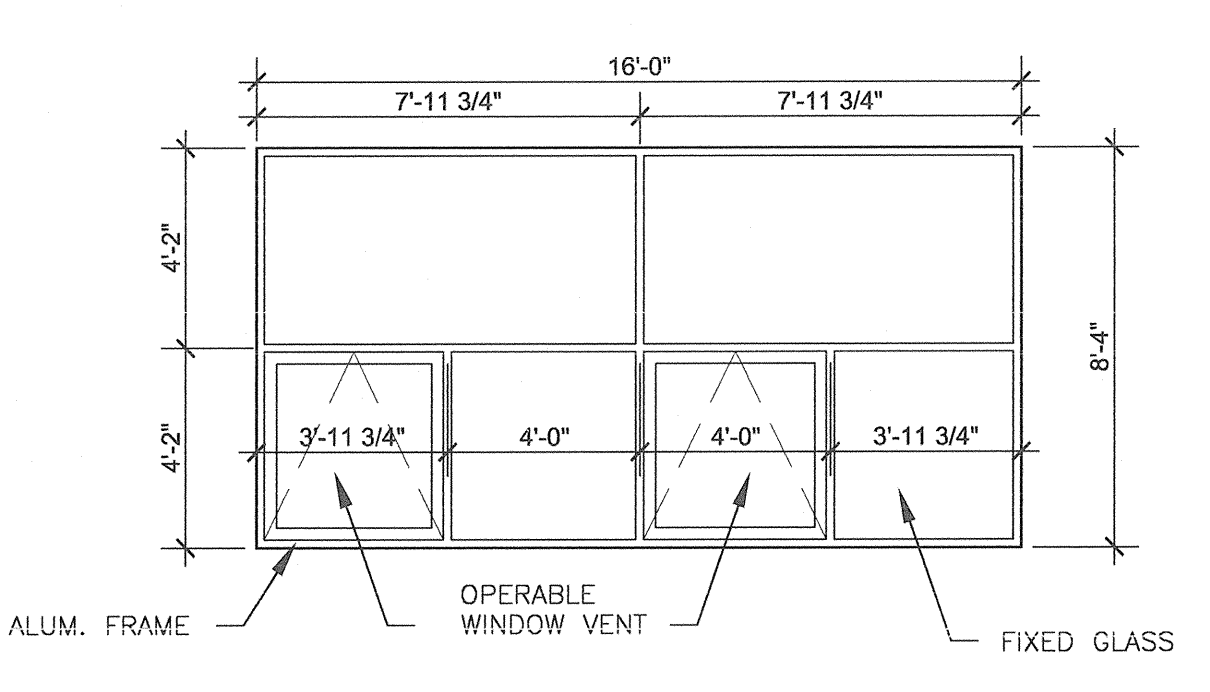
TYPE A



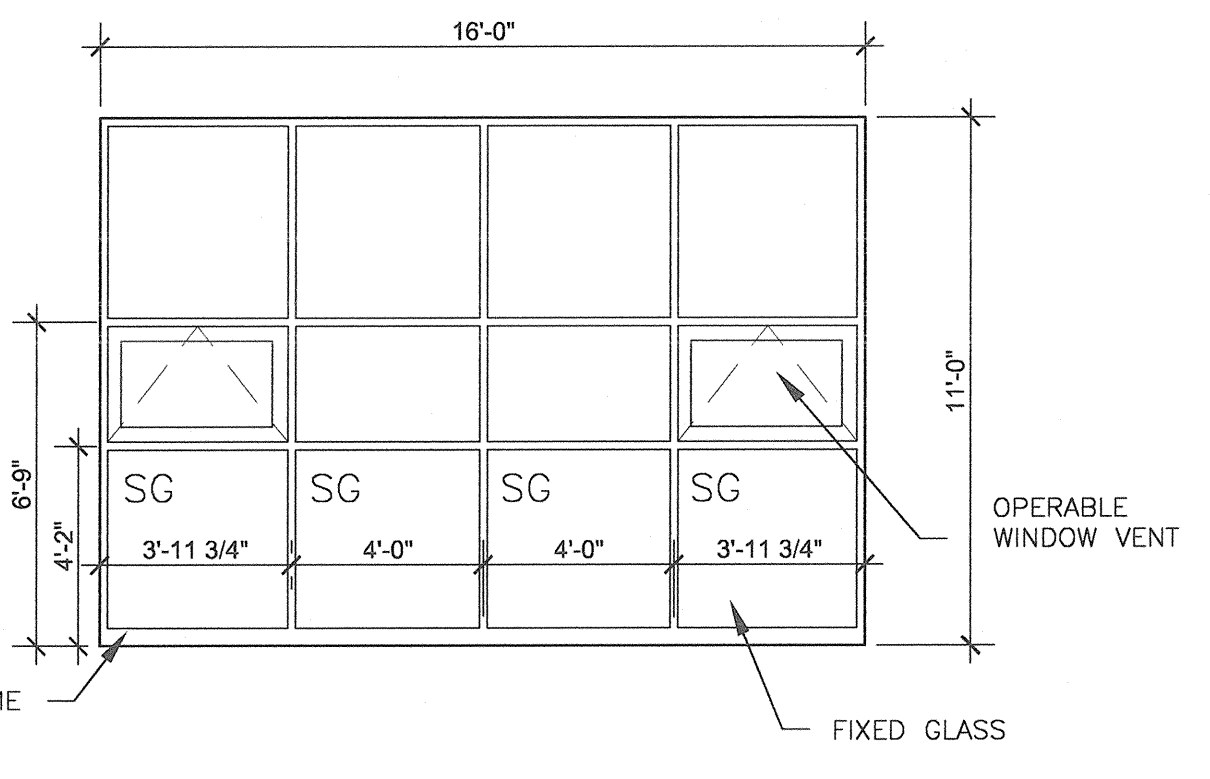
TYPE B



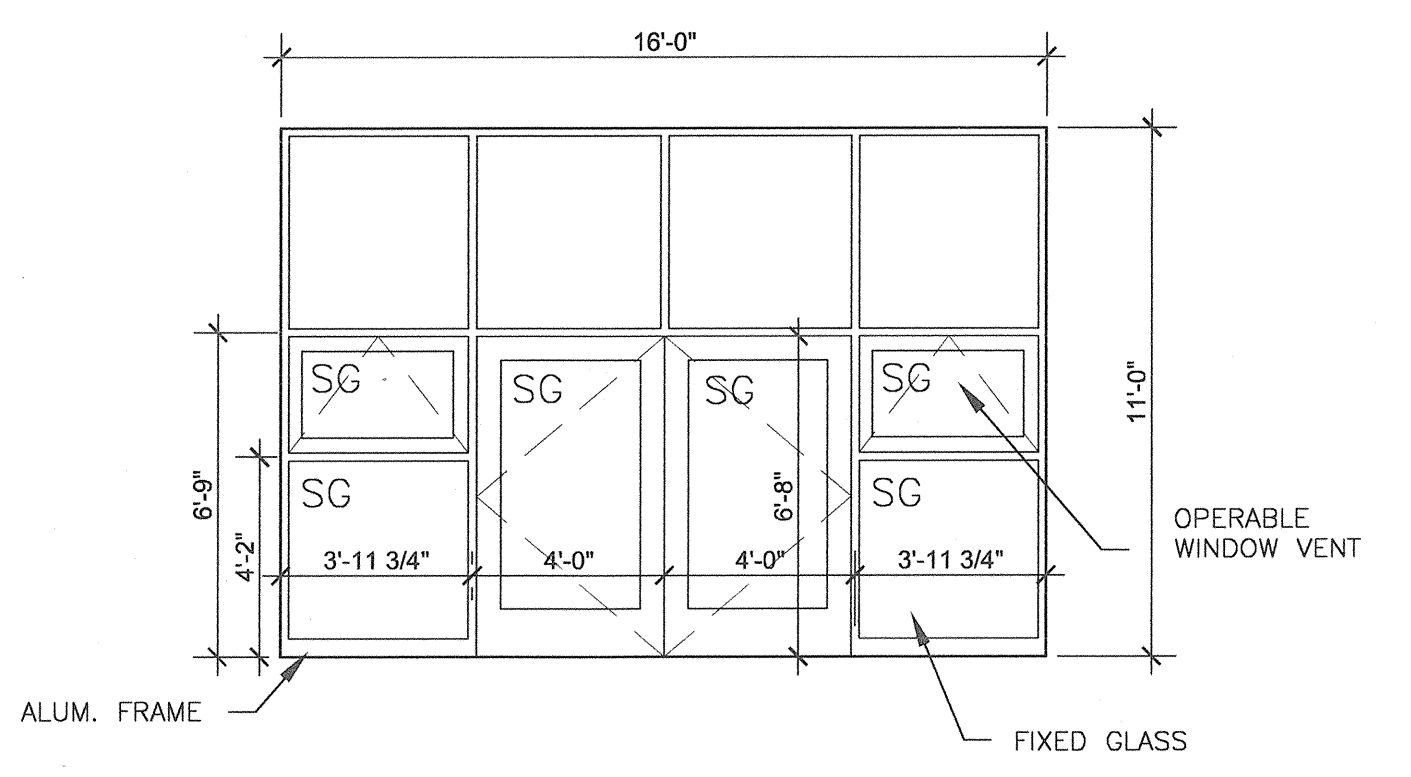
TYPE B-1



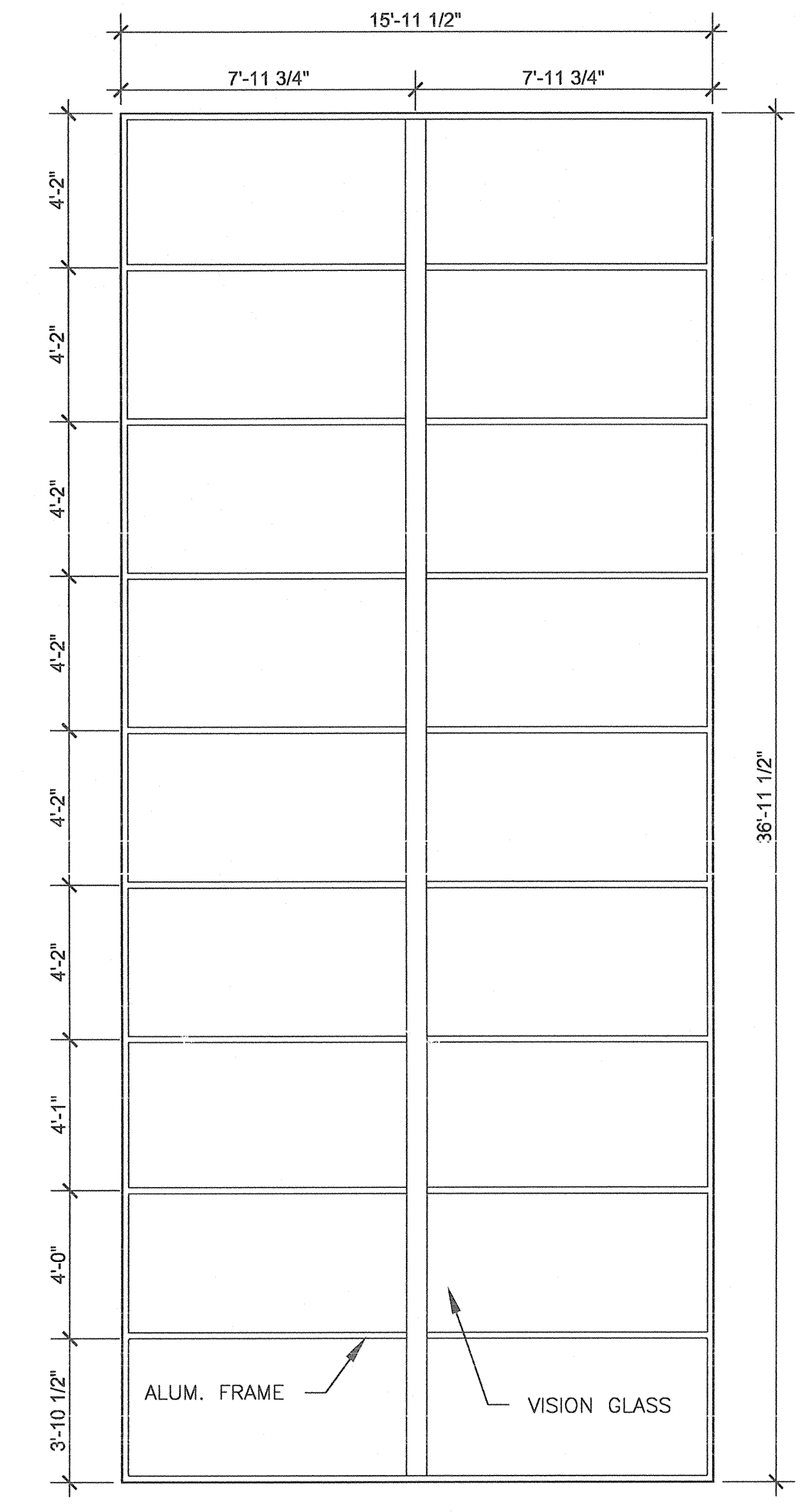
TYPE C



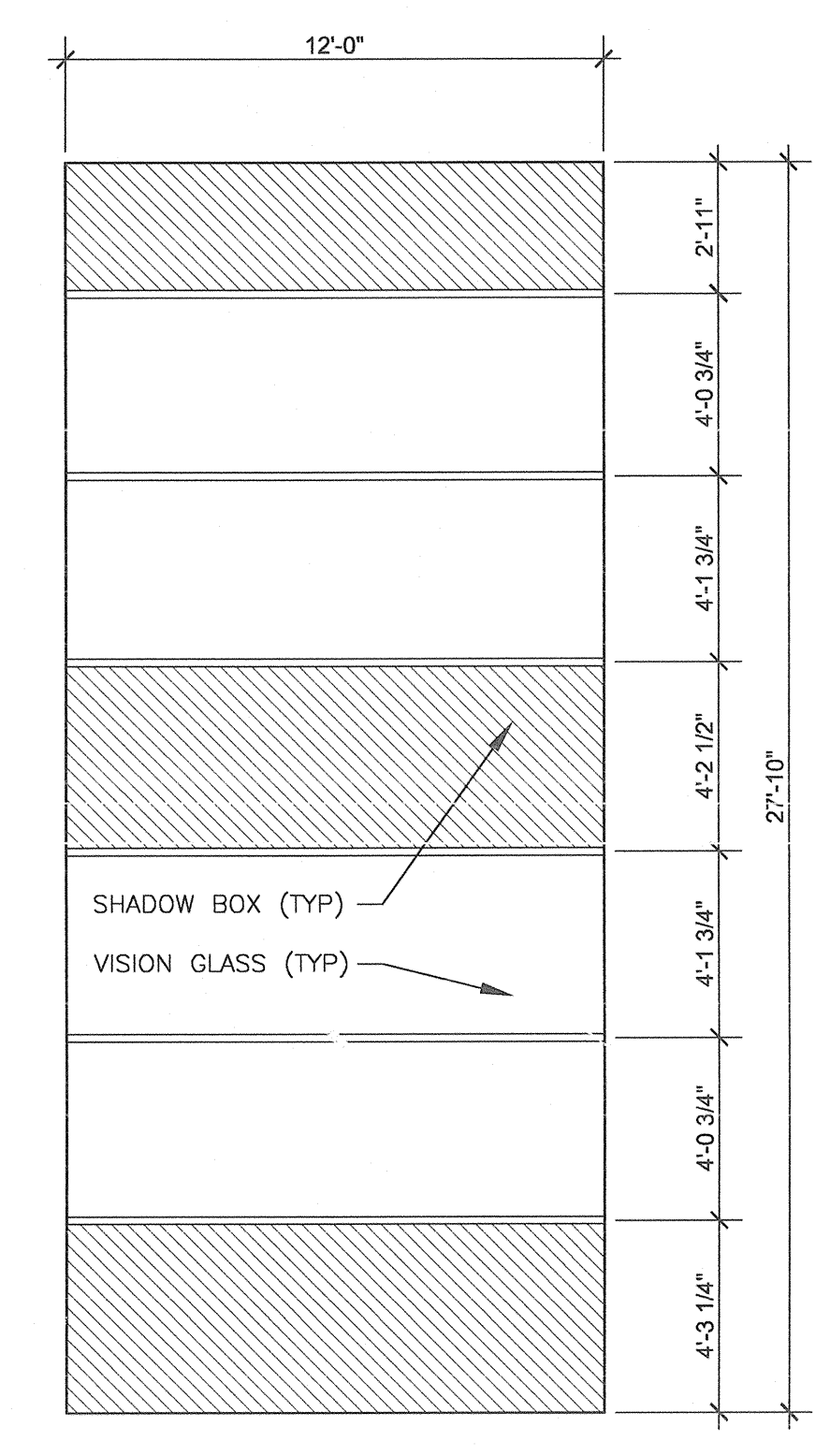
TYPE D



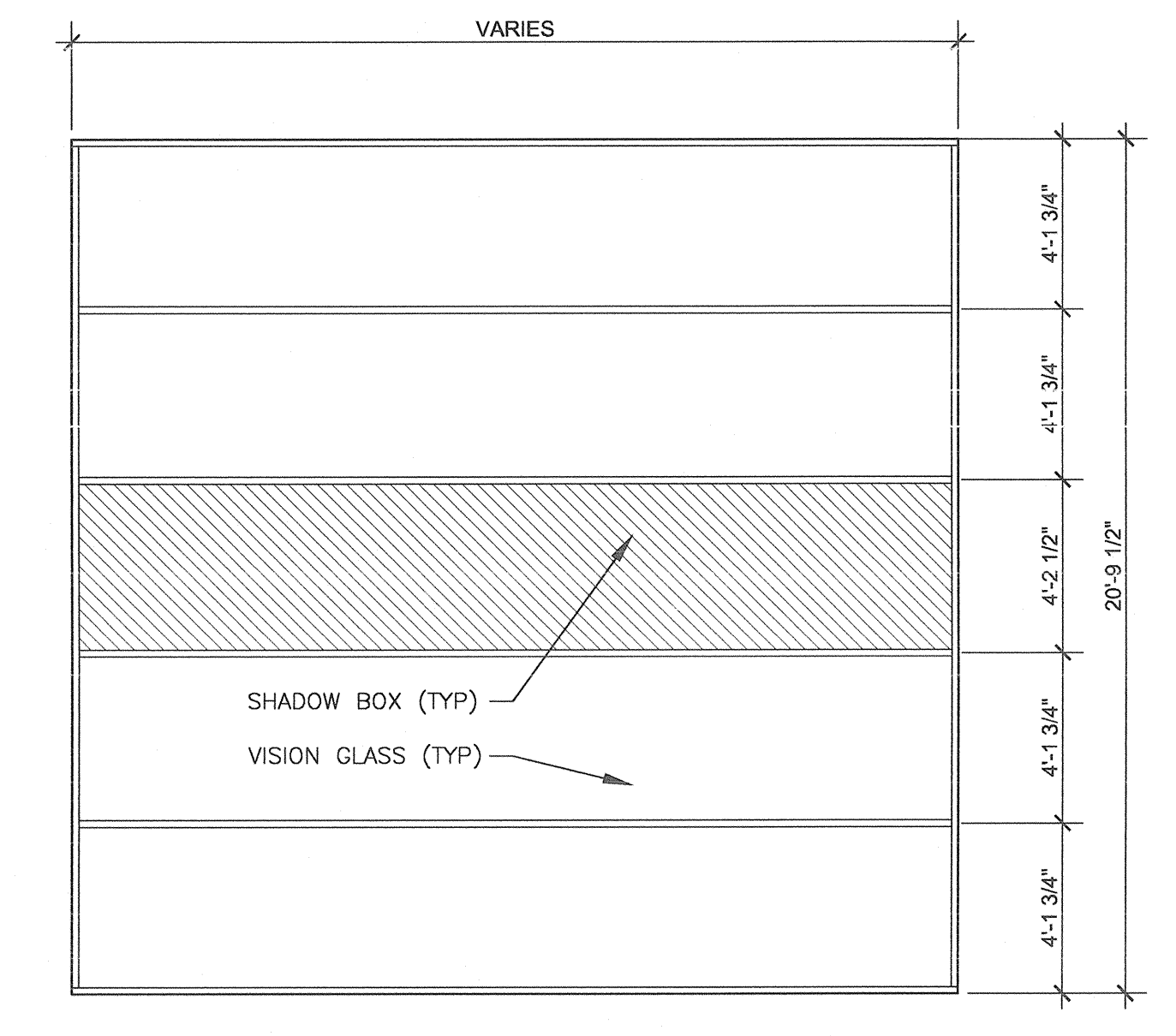
TYPE D-1



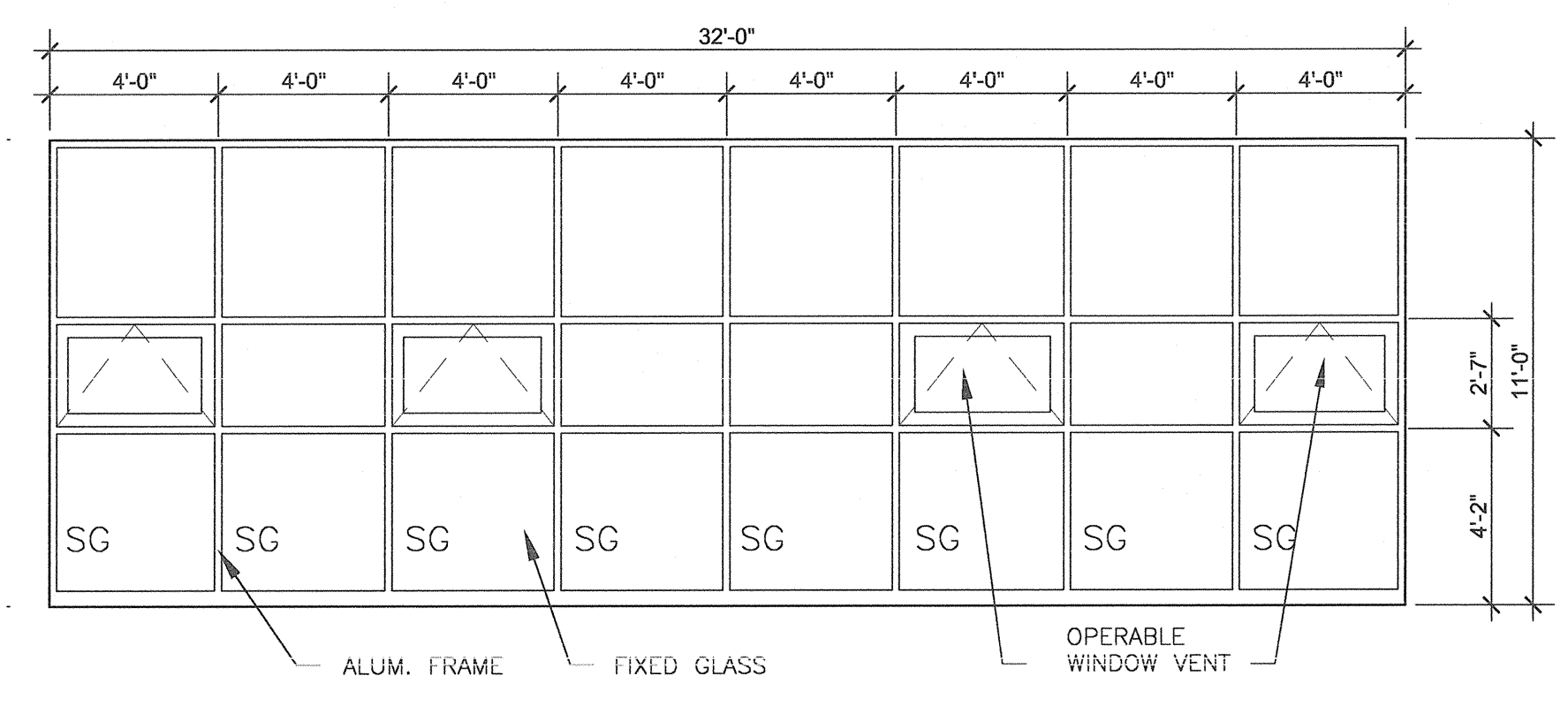
CURTAIN WALL GLAZING - CW3



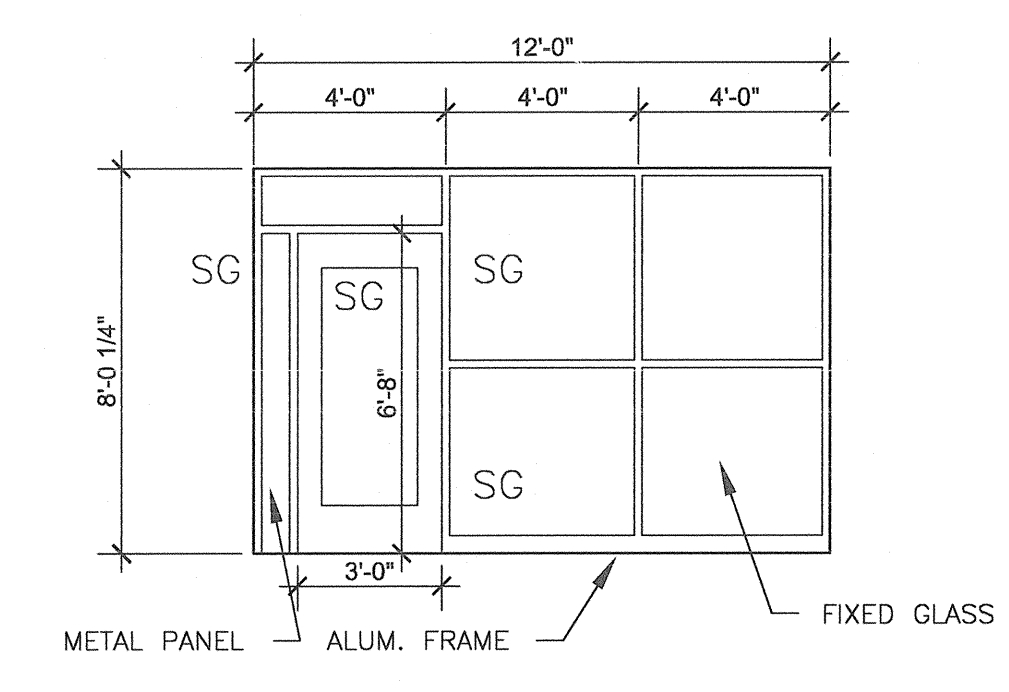
CURTAIN WALL GLAZING - CW 1



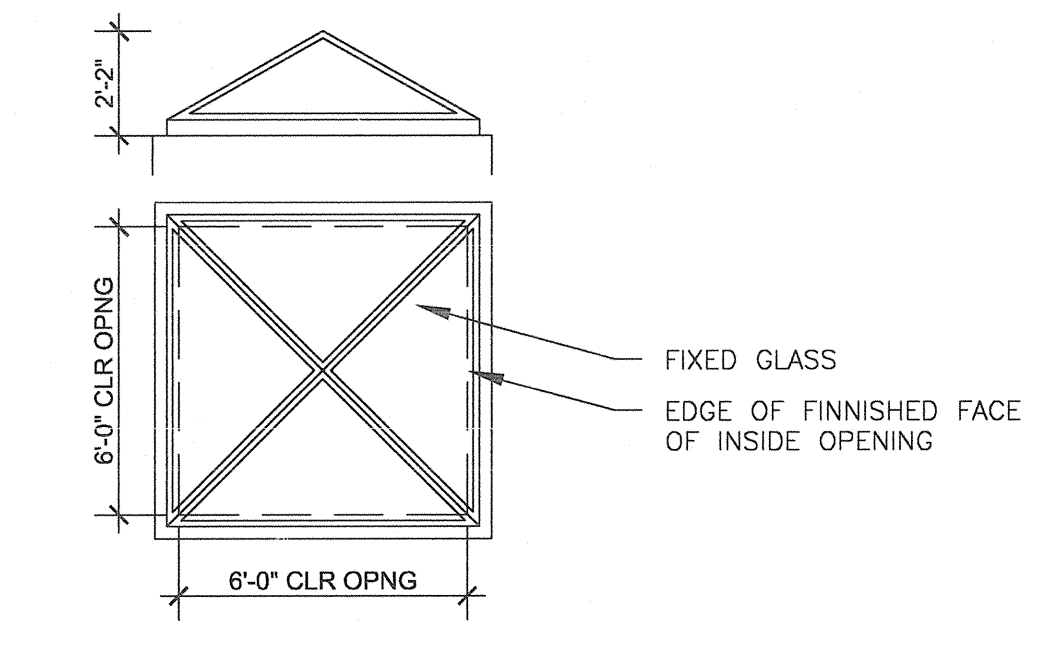
CURTAIN WALL GLAZING - CW 2, CW5, CW6



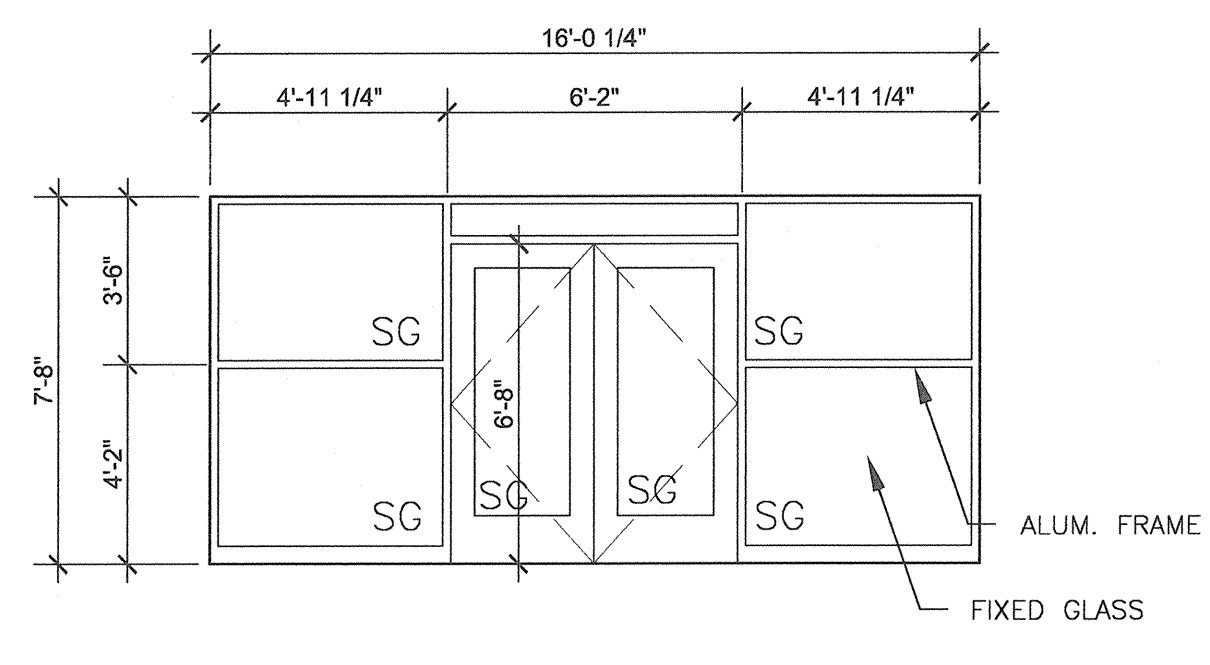
TYPE D-2



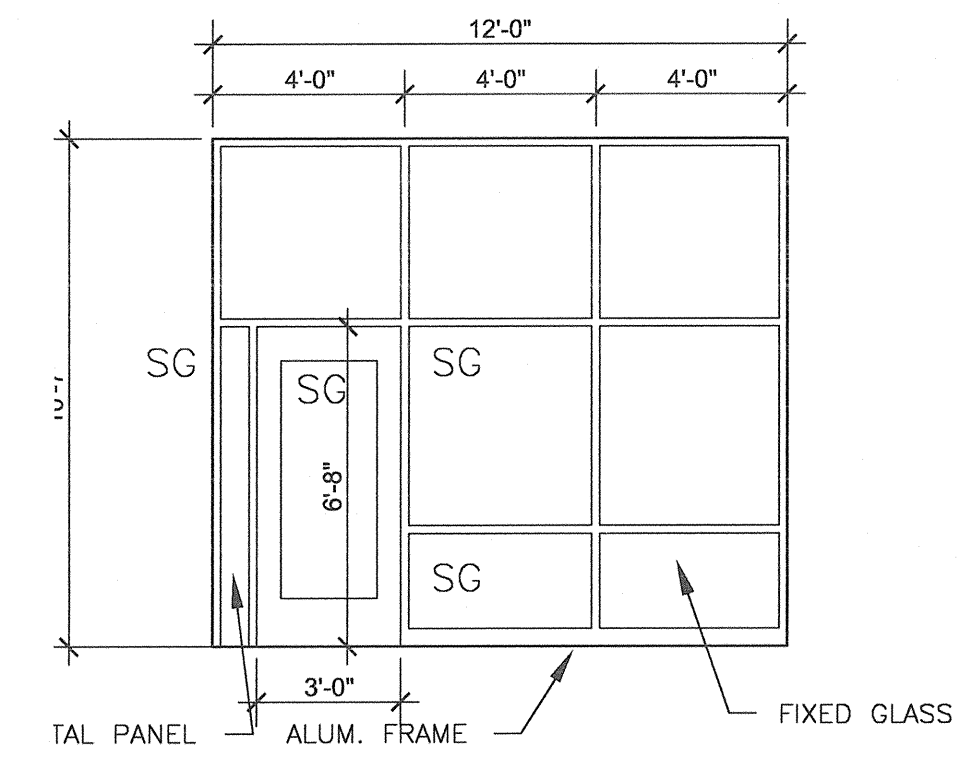
TYPE H



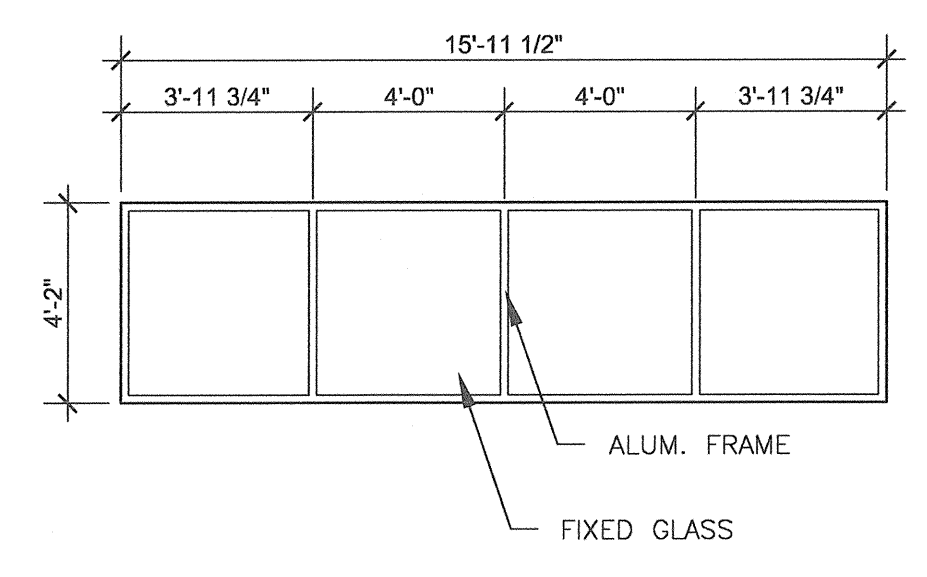
PYRAMIDAL SKYLIGHT - TYP.



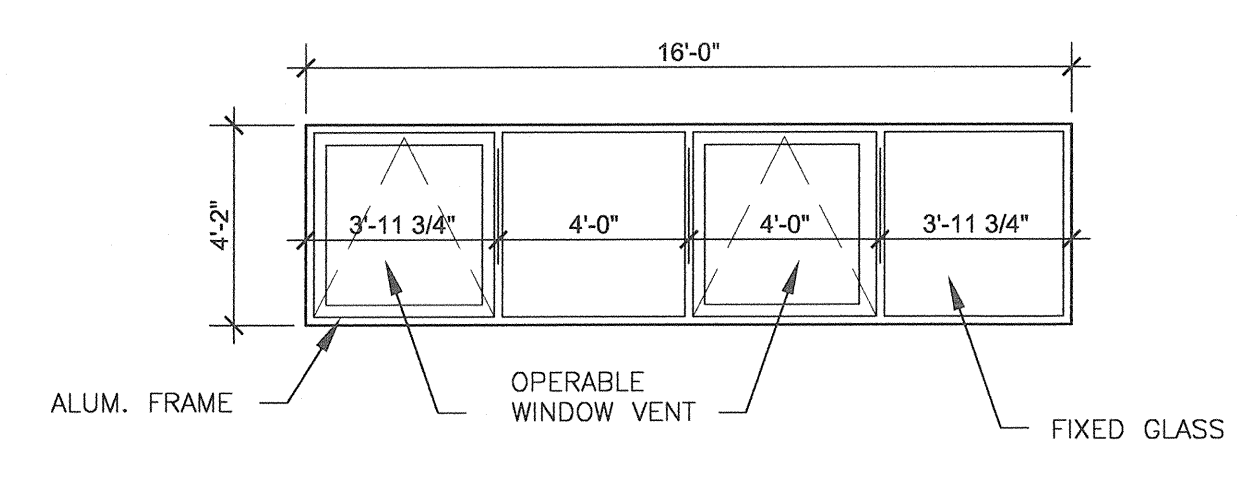
TYPE E



TYPE H-1



TYPE F



TYPE I

WINDOW SCHEDULE				
TYPE	NOMINAL FRAME SIZE	FRAME FINISH	GLAZING	REMARKS
A	4' 2" x 4' 2"	CLEAR ANODIZED ALUMINUM	VIRACON VE-7-2M	
B-1	24' 0" x 11' 0"	CLEAR ANODIZED ALUMINUM	VIRACON VE-7-2M	
B-2	12' 11" x 10' 0"	CLEAR ANODIZED ALUMINUM	VIRACON VE-7-2M	
C	16'-0" x 8' 4"	CLEAR ANODIZED ALUMINUM	VIRACON VE-7-2M	
D	16'-0" x 11' 0"	CLEAR ANODIZED ALUMINUM	VIRACON VE-7-2M	
D-1	16'-0" x 11' 0"	CLEAR ANODIZED ALUMINUM	VIRACON VE-7-2M	
D-2	32' 0" x 11' 0"	CLEAR ANODIZED ALUMINUM	VIRACON VE-7-2M	
E	16' 1/4" x 7' 8"	CLEAR ANODIZED ALUMINUM	VIRACON VE-7-2M	
F	16'-0" x 4' 2"	CLEAR ANODIZED ALUMINUM	VIRACON VE-7-2M	
H	12' 0" x 6' 1/4"	CLEAR ANODIZED ALUMINUM	VIRACON VE-7-2M	
H-1	12' 0" x 10' 7"	CLEAR ANODIZED ALUMINUM	VIRACON VE-7-2M	
I	16'-0" x 4' 2"	CLEAR ANODIZED ALUMINUM	VIRACON VE-7-2M	
CW - 1	12' 0" x 27' 10"	CLEAR ANODIZED ALUMINUM	VIRACON VE-7-2M	
CW - 2	16' 1 1/4" x 20' 9 1/2"	CLEAR ANODIZED ALUMINUM	VIRACON VE-7-2M	
CW - 3	15' 11 1/2" x 32' 9 3/4"	CLEAR ANODIZED ALUMINUM	VIRACON VE-7-2M	
CW - 4	36' 10 1/2" x 20' 9 1/2"	CLEAR ANODIZED ALUMINUM	VIRACON VE-7-2M	
CW - 5	29' 1 1/4" x 20' 9 1/2"	CLEAR ANODIZED ALUMINUM	VIRACON VE-7-2M	

- NOTES
- ALL FRAMES EXPRESSED IN NOMINAL DIMENSIONS
 - "SG" INDICATES SAFETY GLAZING (TEMPERED GLASS REQUIRED)