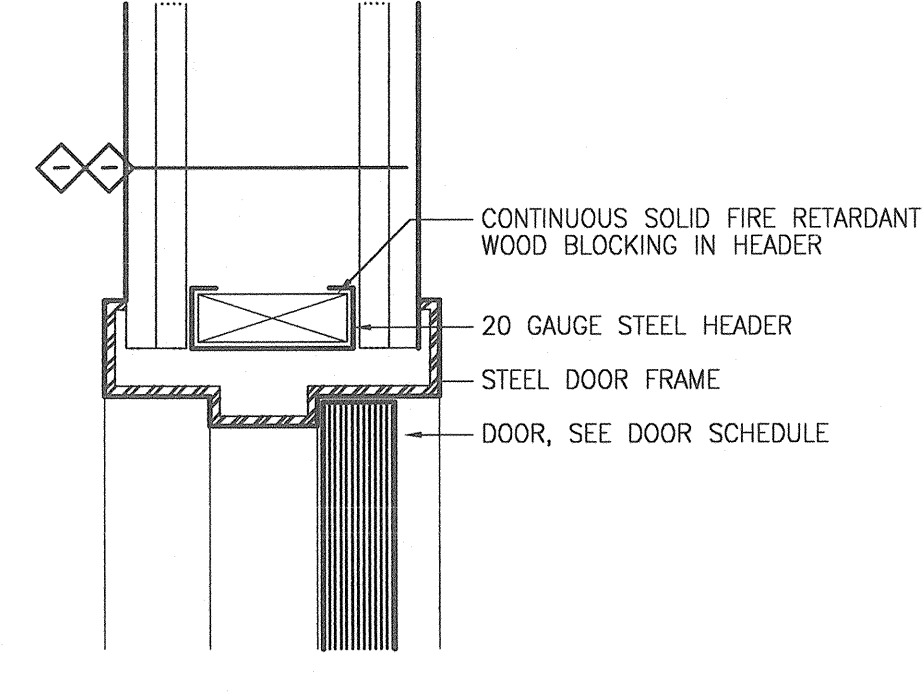
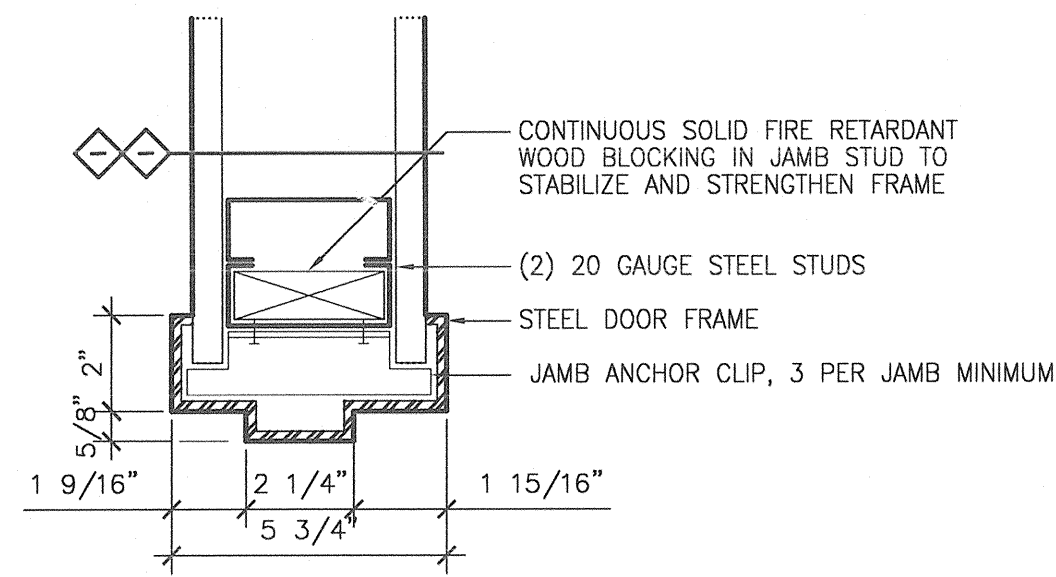


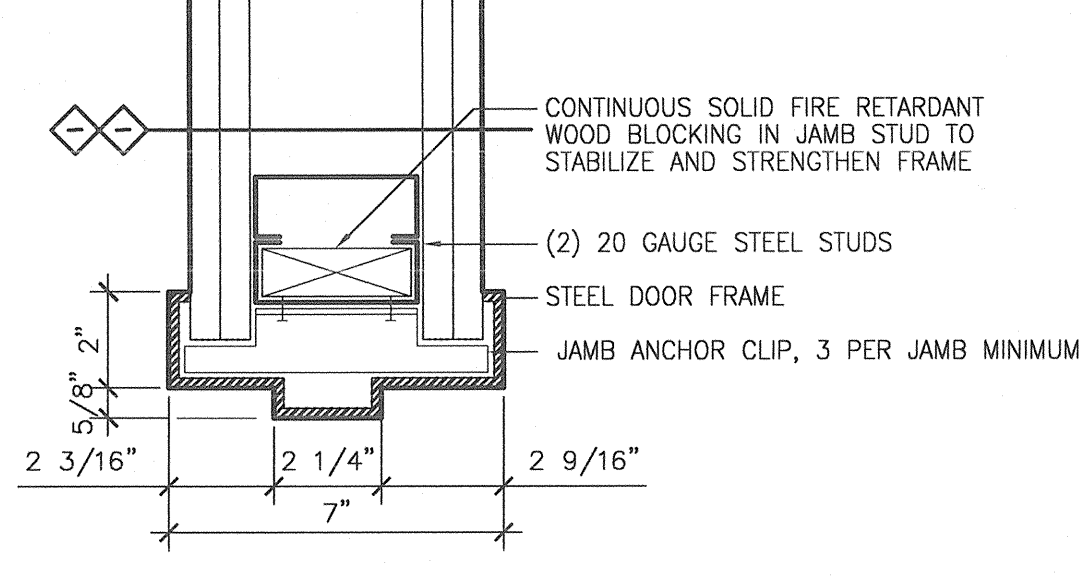
1 HM. DOOR HEAD DETAIL (TYP)
3" = 1'-0"



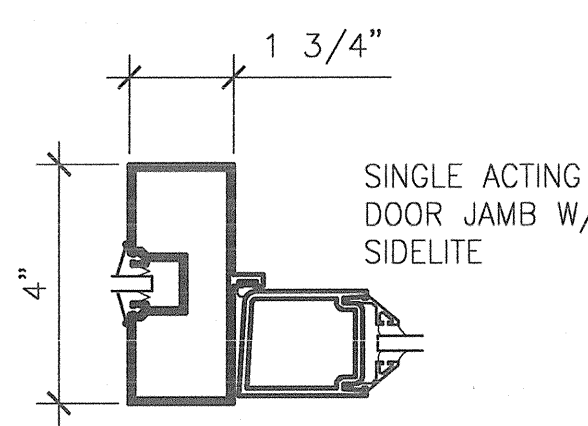
1-B HM. DOOR HEAD DETAIL (TYP)
3" = 1'-0"



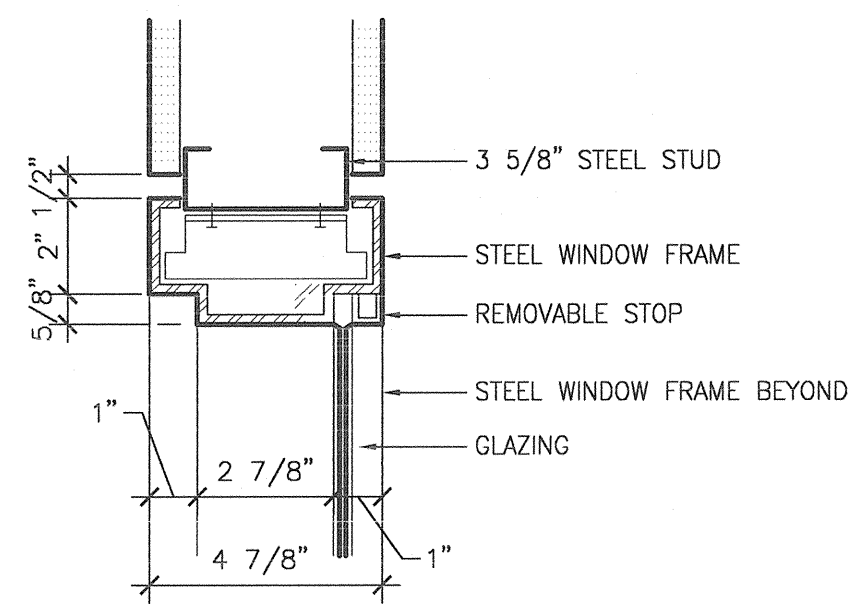
2 HM DOOR JAMB DETAIL
3" = 1'-0"



2-B HM DOOR JAMB DETAIL
3" = 1'-0"

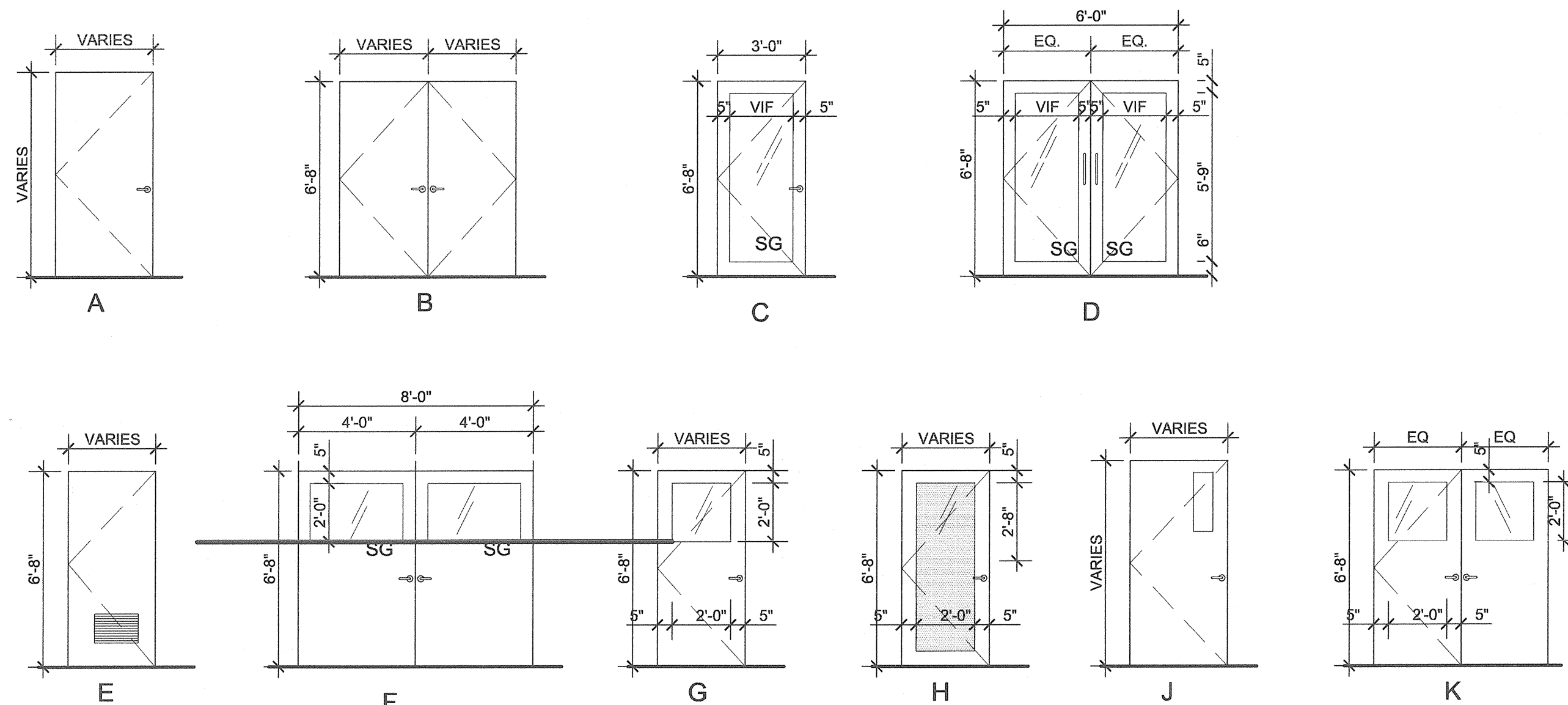


3 DOOR JAMB DETAIL
3" = 1'-0"



3 INTERIOR WINDOW FRAME DETAIL (TYP)
3" = 1'-0"

NOTE:
PAINT ALL EDGES OF FRAME AND STOP
PRIOR TO GLASS INSTALLATION



DOOR TYPES - NTS

SG : INDICATE SAFE
GLAZING

DOOR SCHEDULE

ROOM NAME	RM. NO.	NO.	SIZE	DOOR / FIN	TYPE	FRAME	RATING	SET	REMARKS
LOBBY	C196A	1	6'-8" X 8'-0"	ALUM. / GLASS	-	ALUM.	-	1	
		2	6'-8" X 8'-0"	ALUM. / GLASS	-	ALUM.	-	1	
		3	6'-8" X 8'-0"	ALUM. / GLASS	-	ALUM.	-	1	
		4	6'-8" X 3'-0"	ALUM. / GLASS	-	ALUM.	-	2	
		5	6'-8" X 6'-0"	ALUM. / GLASS	-	ALUM.	-	1	
		6	6'-8" X 3'-0"	ALUM. / GLASS	-	ALUM.	-	3	ADA Mech. Door Opener
ELEV EQUIPMENT ROOM	0146A	1	6'-8" X 3'-0"	HM. / PTD	E	H.M./PTD.	45 MIN	4	
INTERVIEW	0141	1	6'-8" X 3'-0"	WD. / GLASS	C	WD.	-	5	
INTERVIEW	0143	1	6'-8" X 3'-0"	WD. / GLASS	C	WD.	-	5	
STRUCTURES STUDIO	0140	1	6'-8" X 8'-0"	WD. / GLASS	A	H.M./PTD.	-	6	
EXT. (CONSTRUCTION YARD?)		2	6'-8" X 8'-0"	ALUM. / GLASS	-	ALUM.	-	1	
SOILS AND CONC. LAB	0138	1	6'-8" X 4'-0"	WD. / GLASS	G	H.M./PTD.	-	4	
		2	6'-8" X 8'-0"	ALUM. / GLASS	-	ALUM.	-	1	
SHOWER	S1988	1	6'-8" X 3'-0"	HM. / PTD	E	H.M./PTD.	-	8	
SHOP	0136	1	6'-8" X 4'-0"	WD. / GLASS	A	H.M./PTD.	-	7	
STAIRS	S198A	1	6'-8" X 3'-0"	HM. / PTD	J	H.M./PTD.	60 MIN.	9	
STAIRS	S198B	1	6'-8" X 3'-0"	ALUM. / GLASS	-	ALUM.	-	2	
CORRIDOR	C199B	1	6'-8" X 6'-0"	WD. / GLASS	K	H.M./PTD.	-	10	
		2	6'-8" X 6'-0"	HM. / PTD	B	H.M./PTD.	45 MIN	11	
		3	6'-8" X 6'-0"	HM. / PTD	B	H.M./PTD.	-	12	
		4	6'-8" X 6'-0"	HM. / PTD	B	H.M./PTD.	-	12	
EXIT	C199C	1	6'-8" X 3'-0"	HM. / PTD	A	H.M./PTD.	45 MIN	13	
CORRIDOR	C199D	1	6'-8" X 3'-0"	HM. / PTD	E	H.M./PTD.	-	14	
		2	6'-8" X 3'-0"	HM. / PTD	E	H.M./PTD.	-	14	
		3	6'-8" X 3'-0"	WD. / GLASS	G	H.M./PTD.	-	15	
		4	6'-8" X 3'-0"	WD. / GLASS	G	H.M./PTD.	-	15	
		5	6'-8" X 3'-0"	WD. / GLASS	G	H.M./PTD.	-	15	
		6	6'-8" X 3'-0"	WD. / GLASS	G	H.M./PTD.	-	15	
		7	6'-8" X 4'-0"	WD. / GLASS	G	H.M./PTD.	-	7	
		8	6'-8" X 3'-0"	WD. / GLASS	G	H.M./PTD.	-	15	
		9	6'-8" X 4'-0"	WD. / GLASS	G	H.M./PTD.	-	15	
ENTRY/CANOPY	X1960	1	6'-8" X 6'-0"	ALUM. / GLASS	-	ALUM.	-	16	ADA Mech. Door Opener
TECH. SERVICES	0201	1	6'-8" X 3'-0"	WD. / GLASS	G	H.M./PTD.	-	7	
C.F.A.H.	0203	1	6'-8" X 3'-0"	WD. / GLASS	C	H.M./PTD.	-	7	
SERVER ROOM	0203A	1	6'-8" X 3'-0"	HM. / PTD	A	H.M./PTD.	-	4	
PLAN ROOM	0204	1	6'-8" X 3'-0"	WD. / GLASS	G	H.M./PTD.	-	15	
JANITORS CLOSET	0205	1	6'-8" X 3'-0"	HM. / PTD	E	H.M./PTD.	-	4	
STORAGE	0207A	1	6'-8" X 3'-0"	HM. / PTD	A	H.M./PTD.	-	4	
INFORMATION TECH	0208	1	6'-8" X 3'-0"	WD. / GLASS	G	H.M./PTD.	-	15	
MCE / SW. RM.	0209	1	6'-8" X 3'-0"	HM. / PTD	A	H.M./PTD.	-	4	
MEDIUM CLASSROOM	0230	1	6'-8" X 3'-0"	WD. / GLASS	G	H.M./PTD.	-	15	
CONSTRUCTION LAB	0238	1	6'-8" X 3'-0"	WD. / GLASS	G	H.M./PTD.	-	15	KEY SIDE OF LOCKSET ON ROOM 0238 SIDE
STORAGE	0240A	1	6'-8" X 3'-0"	HM. / PTD	A	H.M./PTD.	-	4	
MEN	0245	1	6'-8" X 3'-0"	HM. / PTD	E	H.M./PTD.	-	4	
STORAGE	0245A	1	6'-8" X 3'-0"	HM. / PTD	E	H.M./PTD.	-	4	
WOMEN	0246	1	6'-8" X 3'-0"	HM. / PTD	E	H.M./PTD.	-	14	
STORAGE	0246A	1	6'-8" X 3'-0"	HM. / PTD	E	H.M./PTD.	-	4	
STAIR	S298A	1	6'-8" X 3'-0"	HM. / PTD	J	H.M./PTD.	60 MIN.	17	
STAIR	S298B	1	6'-8" X 3'-0"	ALUM. / GLASS	-	ALUM.	-	2	
CORRIDOR	C299A	1	6'-8" X 3'-0"	WD. / GLASS	C	WD.	-	15	
		2	6'-8" X 3'-0"	WD. / GLASS	C	H.M./PTD.	-	15	
		3	6'-8" X 3'-0"	WD. / GLASS	C	H.M./PTD.	-	15	
		4	6'-8" X 3'-0"	WD. / GLASS	G	H.M./PTD.	-	15	
		5	6'-8" X 3'-0"	WD. / GLASS	G	H.M./PTD.	-	15	
		6	6'-8" X 3'-0"	WD. / GLASS	G	H.M./PTD.	-	15	
		7	6'-8" X 3'-0"	WD. / GLASS	G	H.M./PTD.	-	15	
		8	6'-8" X 3'-0"	WD. / GLASS	G	H.M./PTD.	-	15	
		9	6'-8" X 6'-0"	WD. / GLASS	K	H.M./PTD.	-	18	
		10	6'-8" X 3'-0"	HM. / PTD	B	H.M./PTD.	45 MIN	12	
ADMIN. / REGISTRAR	0301	1	6'-8" X 3'-0"	WD. / GLASS	C	H.M./PTD.	-	15	
		2	6'-8" X 3'-0"	WD. / GLASS	C	H.M./PTD.	-	15	
DIRECTOR GRAD. / D.E.	0302	1	6'-8" X 3'-0"	WD. / GLASS	H	WD.	-	15	
RECEPTION/CONF. RM.	0304	1	6'-8" X 6'-0"	WD. / GLASS	D	WD.	-	19	
DIRECTOR	0306	1	6'-8" X 3'-0"	WD. / GLASS	H	H.M./PTD.	-	5	
ASSOCIATE DIRECTOR	0307	1	6'-8" X 3'-0"	WD. / GLASS	H	H.M./PTD.	-	5	
STORAGE/SUPPLY	0308	1	6'-8" X 3'-0"	HM. / PTD	A	H.M./PTD.	-	6	
FACULTY OFFICE	0309	1	6'-8" X 3'-0"	WD. / GLASS	H	H.M./PTD.	-	5	
MAIL / KIT. / COPY	0310	1	6'-8" X 3'-0"	WD. / GLASS	C	H.M./PTD.	-	15	
		2	6'-8" X 3'-0"	WD. / GLASS	C	H.M./PTD.	-	15	
FACULTY OFFICE	0311	1	6'-8" X 3'-0"	WD. / GLASS	H	H.M./PTD.	-	5	
FACULTY WORK ROOM	0312	1	6'-8" X 3'-0"	WD. / GLASS	C	H.M./PTD.	-	15	
RESOURCE CENTER	0313	1	6'-8" X 3'-0"	WD. / GLASS	C	H.M./PTD.	-	15	
FACULTY OFFICE	0314	1	6'-8" X 3'-0"	WD. / GLASS	H	H.M./PTD.	-	5	
FACULTY OFFICE	0315	1	6'-8" X 3'-0"	WD. / GLASS	H	H.M./PTD.	-	5	
FACULTY OFFICE	0316	1	6'-8" X 3'-0"	WD. / GLASS	H	H.M./PTD.	-	5	
FACULTY OFFICE	0319	1	6'-8" X 3'-0"	WD. / GLASS	H	H.M./PTD.	-	5	
GRAD. STUDIO	0320	1	6'-8" X 3'-0"	WD. / GLASS	C	H.M./PTD.	-	5	
FACULTY OFFICE	0321	1	6'-8" X 3'-0"	WD. / GLASS	H	H.M./PTD.	-	5	
FACULTY OFFICE	0322	1	6'-8" X 3'-0"	WD. / GLASS	H	H.M./PTD.	-	5	
FACULTY OFFICE	0323	1	6'-8" X 3'-0"	WD. / GLASS	H	H.M./PTD.	-	5	
FACULTY OFFICE	0324	1	6'-8" X 3'-0"	WD. / GLASS	H	H.M./PTD.	-	5	
FACULTY OFFICE	0325	1	6'-8" X 3'-0"	WD. / GLASS	H	H.M./PTD.	-	5	
GRAD. STUDIO	0326	1	6'-8" X 3'-0"	WD. / GLASS	C	H.M./PTD.	-	5	
FACULTY OFFICE	0327	1	6'-8" X 3'-0"	WD. / GLASS	H	H.M./PTD.	-	5	
GRAD. STUDIO	0328	1	6'-8" X 3'-0"	WD. / GLASS	C	H.M./PTD.	-	5	
FACULTY OFFICE	0329	1	6'-8" X 3'-0"	WD. / GLASS	H	H.M./PTD.	-	5	
FACULTY OFFICE	0331	1	6'-8" X 3'-0"	WD. / GLASS	H	H.M./PTD.	-	5	
FACULTY OFFICE	0332	1	6'-8" X 3'-0"	WD. / GLASS	H	H.M./PTD.	-	5	
CLOSET	0333	1	6'-8" X 3'-0"	HM. / PTD.	A	H.M./PTD.	-	4	
CENTER STORAGE	0334	1	6'-8" X 3'-0"	HM. / PTD.	A	H.M./PTD.	-	4	
STORAGE	0343	1	6'-8" X 3'-0"	HM. / PTD.	A	H.M./PTD.	-	4	
MEN	0345	1	6'-8" X 3'-0"	HM. / PTD.	E	H.M./PTD.	-	14	
JANITORS CLOSET	0345A	1	6'-8" X 3'-0"	HM. / PTD.	E	H.M./PTD.	-	4	
WOMEN	0346	1	6'-8" X 3'-0"	HM. / PTD.	E	H.M./PTD.	-	14	
STAIR	S398A	1	6'-8" X 3'-0"	HM. / PTD.	J	H.M./PTD.	60 MIN.	17	
STAIR	S398B	1	6'-8" X 3'-0"	ALUM. / GLASS	-	ALUM.	-	2	
CORRIDOR	C399A	1	6'-8" X 3'-0"	WD. / GLASS	C	WD.	-	15	
		2	6'-8" X 3'-0"	HM. / PTD.	B	H.M./PTD.	-	12	
		3	6'-8" X 3'-0"	HM. / PTD.	B	H.M./PTD.	-	12	
E-JOURNAL EDITOR	0342	5	6'-8" X 3'-0"	WD. / GLASS	H	H.M./PTD.	-	15	
ENDOWED CHAIR	0344	6	6'-8" X 3'-0"	WD. / GLASS	H	H.M./PTD.	-	15	
C.C.S.L.C.		7	6'-8" X 3'-0"	WD. / GLASS	C	H.M./PTD.	-	15	
CORRIDOR	C399B	1	6'-8" X 3'-0"	WD. / GLASS	G	H.M./PTD.	-	15	
		2	6'-8" X 3'-0"	WD. / GLASS	G	H.M./PTD.	-	15	
		3	6'-8" X 3'-0"	WD. / GLASS	C	H.M./PTD.	-	15	
		4	6'-8" X 3'-0"	WD. / GLASS	H	H.M./PTD.	-	4	
		5	6'-8" X 4'-6"	HM. / PTD.	B	H.M./PTD.	45 MIN	12	
CORRIDOR	C399C	1	6'-8" X 3'-0"	WD. / GLASS	C	H.M./PTD.	-	15	
MECHANICAL ROOM	0030	1	6'-8" X 6'-0"	HM./PTD.	B	H.M./PTD.	-	6	
		2	6'-8" X 3'-0"	HM./PTD.	A	H.M./PTD.	90 MIN	4	



M.E. RINKER, Sr. HALL
SCHOOL OF BUILDING CONSTRUCTION

UNIVERSITY OF FLORIDA-GAINESVILLE
PROJECT NO. BR-191

ARCHITECTS
CROXTON COLLABORATIVE/
GOULD EVANS ASSOCIATES

CROXTON COLLABORATIVE ARCHITECTS

475 FIFTH AVENUE
NEW YORK, NY 10017
TEL. 212.683.1988
FAX 212.683.2799

GOULD EVANS ASSOCIATES

5405 WEST CYPRESS STREET
TAMPA, FL 33607
TEL. 813.288.0729
FAX 813.288.0231

MECHANICAL ENGINEERS

LEHR ASSOCIATES

130 WEST 30TH STREET
NEW YORK, NY 10001-4092
TEL. 212.947.8050
FAX 212.967.2059

STRUCTURAL ENGINEERS

WALTER P. MOORE

201 EAST KENNEDY BOULEVARD
TAMPA, FL 33602
TEL. 813.221.2424
FAX 813.221.2289

CIVIL ENGINEERS

BROWN & CULLEN, INC.

3530 HWY