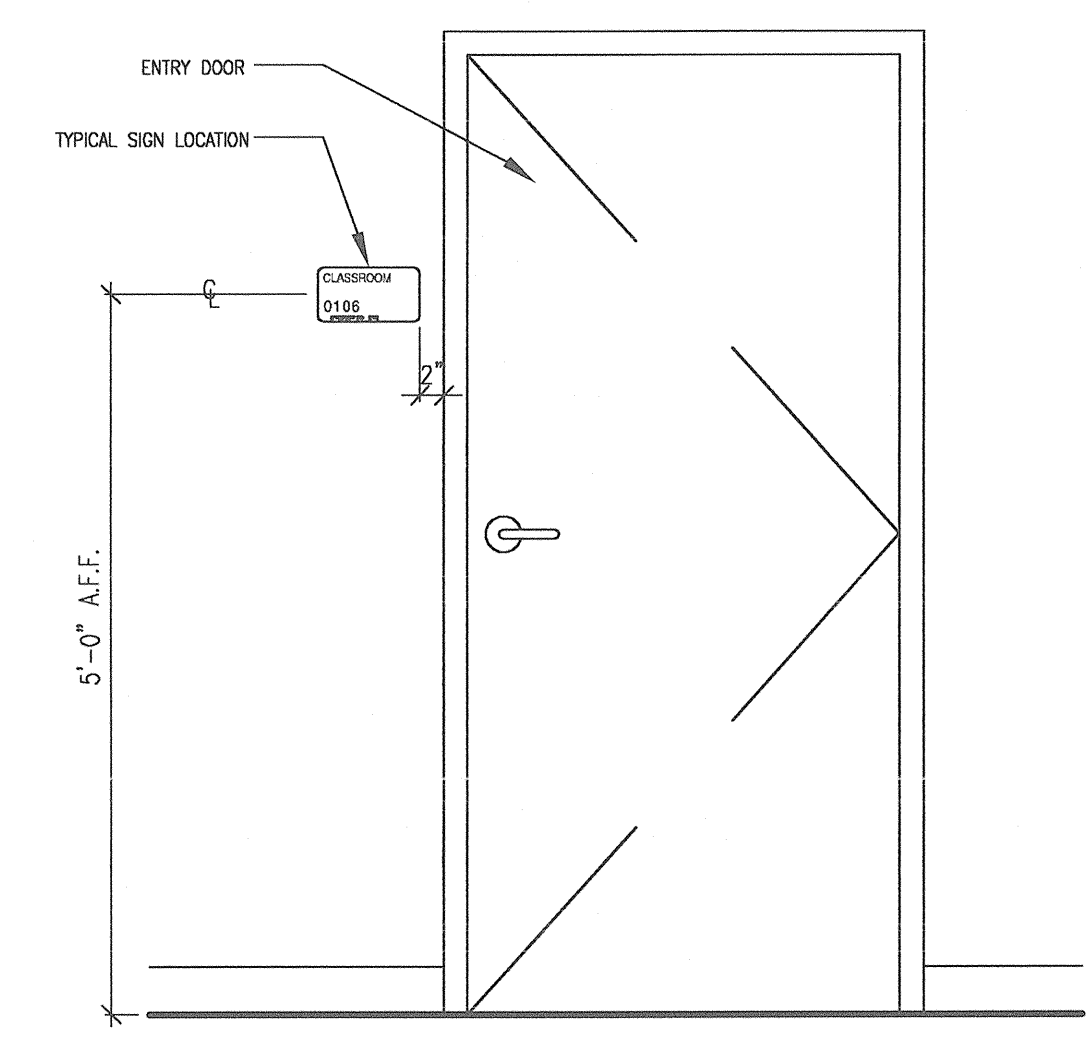
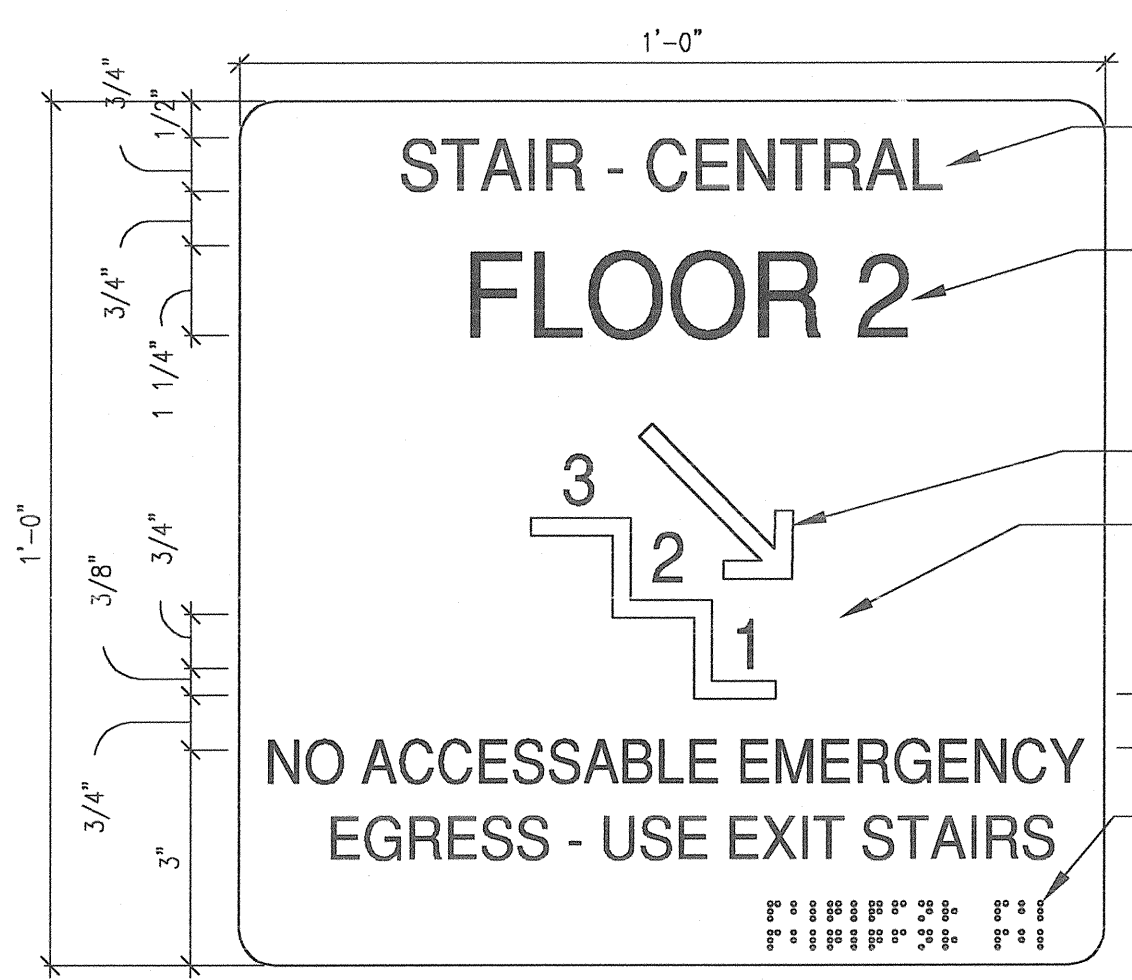


SIGN SCHEDULE					
FLOOR NO.	ROOM NO.	ROOM NAME	SIGN NAME	SIGN TYPE	REMARKS
FLOOR 1	0030	MECHANICAL ROOM	MECHANICAL	A	EXTERIOR SIGN
	0030A	ELECTRICAL ROOM	ELECTRICAL	A	
	0106	MEDIUM CLASSROOM	CLASSROOM 0106	A	
	0110	LARGE CLASSROOM	CLASSROOM 0110	A	
	0110A	ELECTRIC	ELECTRIC	A	
	0115	STUDENT/ORG LOUNGE	LOUNGE	A	
	0125	M.E.P. STUDIO	M.E.P. STUDIO	A	
	0134	SHOWER	SHOWER	C	
	0136	SHOP	SHOP	A	
	0138	SOILS CONCRETE LAB	SOILS CONCRETE LAB	A	
	0140	STRUCTURES STUDIO	STRUCTURES STUDIO	A	
	0140A	STORAGE	STORAGE	A	
	0141	INTERVIEW	INTERVIEW	A	
	0143	INTERVIEW	INTERVIEW	A	
	0145	MEN	MEN	B	
	0146	WOMEN	WOMEN	D	
	0146A	MECHANICAL ROOM	MECHANICAL ROOM	A	
	FLOOR 2	0201	TECH. SERVICES	TECH. SERVICES	A
0202		D.E.S.	D.E.S.	A	
0203		C.F.A.H.	C.F.A.H.	A	
0203A		SERVICE ROOM	SERVICE ROOM	A	
0204		PLAN ROOM	PLAN ROOM	A	
0205		JANITORS CLOSET	JANITORS CLOSET	A	
0206		COMPUTER LAB	COMPUTER LAB	A	
0207A		STORAGE	STORAGE	A	
0208		INFORMATION TECH	INFORMATION TECH	A	
0209		M.C.E. / SW. ROOM	M.C.E. / SW. ROOM	A	
0210		MEDIUM CLASSROOM	CLASSROOM 0210	A	
0215		MEDIUM CLASSROOM	CLASSROOM 0215	A	
0220		MEDIUM CLASSROOM	CLASSROOM 0220	A	
0225		MEDIUM CLASSROOM	CLASSROOM 0225	A	
0230		MEDIUM CLASSROOM	CLASSROOM 0230	A	
0235A		ELEC. CL.	ELEC. CL.	A	
0235		STORAGE	STORAGE	A	
0238		CONSTRUCTION LAB	CONSTRUCTION LAB	A	
0240		EST. DWG. /SCH.	EST. DWG./SCH.	A	
0240A		STORAGE	STORAGE	A	
0245	MEN	MEN	B		
0245A	STORAGE	STORAGE	A		
0246	WOMEN	WOMEN	B		
0246A	STORAGE	STORAGE	A		
FLOOR 3	0301	ADMIN. REGISTRAR	ADMIN. REGISTRAR	A	
	0301A	CAREER / OFFICE	CAREER / OFFICE	A	
	0302	DIRECTOR GRAD. /D.E.	DIRECTOR GRAD. /D.E.	A	
	0303	CONFERENCE ROOM	CONFERENCE ROOM	A	
	0304	RECEPTION	RECEPTION	A	
	0305	OPEN OFFICE	OPEN OFFICE	A	
	0306	DIRECTOR	DIRECTOR	A	
	0307	ASSOCIATE DIRECTOR	ASSOCIATE DIRECTOR	A	
	0308	STORAGE SUPPLY	STORAGE SUPPLY	A	
	0308A	TELE. COM.	TELE. COM.	A	
	0309	FACULTY OFFICE	OFFICE 0309	A	
	0310	MAIL / KIT / COPY	MAIL / KIT / COPY	A	
	0311	FACULTY OFFICE	OFFICE 0311	A	
	0312	FACULTY WORKROOM	FACULTY WORKROOM	A	
	0313	RESOURCE CENTER	RESOURCE CENTER	A	
	0314	FACULTY OFFICE	OFFICE 0314	A	
	0315	FACULTY OFFICE	OFFICE 0315	A	
	0316	FACULTY OFFICE	OFFICE 0316	A	
	0319	FACULTY OFFICE	OFFICE 0319	A	
	0320	GRAD. STUDIO	GRAD. STUDIO 0320	A	
	0321	FACULTY OFFICE	OFFICE 0321	A	
	0322	FACULTY OFFICE	OFFICE 0322	A	
	0323	FACULTY OFFICE	OFFICE 0323	A	
	0324	GRAD. STUDIO	GRAD. STUDIO	A	
	0325	FACULTY OFFICE	OFFICE 0325	A	
	0326	GRAD. STUDIO	GRAD. STUDIO 0326	A	
	0327	FACULTY OFFICE	OFFICE 0327	A	
	0328	GRAD. STUDIO	GRAD. STUDIO 0328	A	
	0329	FACULTY OFFICE	OFFICE 0329	A	
	0331	FACULTY OFFICE	OFFICE 0331	A	
	0332	FACULTY OFFICE	OFFICE 0332	A	
	0333	CLOSET	CLOSET	A	
	0334	CENTER STORAGE	CENTER STORAGE	A	
	0334	TELE. COM.	TELE. COM.	A	
	0336	ELEC. CL.	ELEC. CL.	A	
	0336	B.C.I.A.C.	B.C.I.A.C.	A	
0338	C.P.R.	C.P.R.	A		
0340	C.C.E.	C.C.E.	A		
0341	C.C.S.L.C.	C.C.S.L.C.	A		
0342	ENDOWED CHAIR	ENDOWED CHAIR	A		
0343	STORAGE	STORAGE	A		
0344	E-JOURNAL EDITOR	E-JOURNAL EDITOR	A		
0345	MEN	MEN	B		
0345A	JANITORS CLOSET	JANITORS CLOSET	A		
0346	WOMEN	WOMEN	B		
C199A	LOBBY	LOBBY	A		
C199B	CORRIDOR	CORRIDOR	-		
C199C	ENTRY/EXHIBIT	CORRIDOR	-		
C298A	CORRIDOR	CORRIDOR	-		
C398A	CORRIDOR	CORRIDOR	-		
-	FIRE STAIR	FIRE STAIR	-		
S198B	STAIR	-	S1		
S298B	STAIR	-	S1		
S398B	STAIR	-	S1		
S198A	STAIR	-	S2		
S298A	STAIR	-	S2		
S398A	STAIR	-	S2		
E197A	ELEVATOR	-	S3		
E297A	ELEVATOR	-	S3		
E397A	ELEVATOR	-	S3		

- NOTES:
- ALL SIGNS TO BE WHITE COPY ON BLUE BACKGROUND, UNLESS OTHERWISE NOTED. BLUE TO MATCH UP BLUE.
  - ALL SIGNAGE TO HAVE GRADE 2 BRAILLE, ORANGE. ORANGE TO MATCH UP ORANGE.
  - ALL TYPESTYLE TO BE HELVETICA MEDIUM.
  - ALL STAR GRAPHIC ARROW TO POINT IN DIRECTION OF EXIT DISCHARGE. FLOORS 1-3 = POINT DOWN TO EXIT AT FLOOR 1. FLOOR 1 = NO ARROW
  - MAKE ALL GRAPHICS ORANGE. ORANGE TO MATCH UP ORANGE.

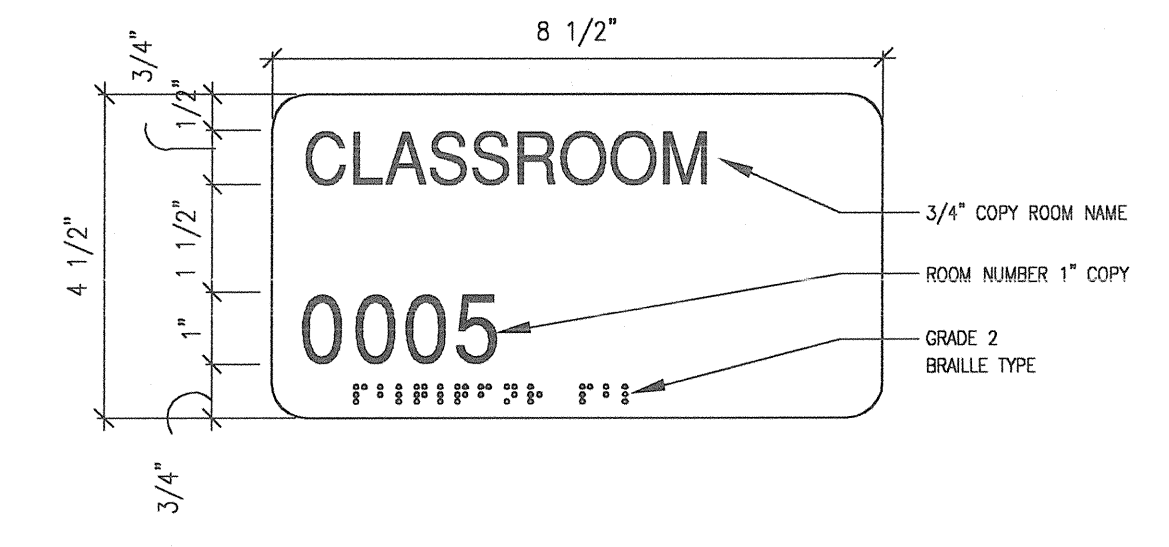


7 TYPICAL ROOM SIGNAGE  
3/4" = 1'-0"

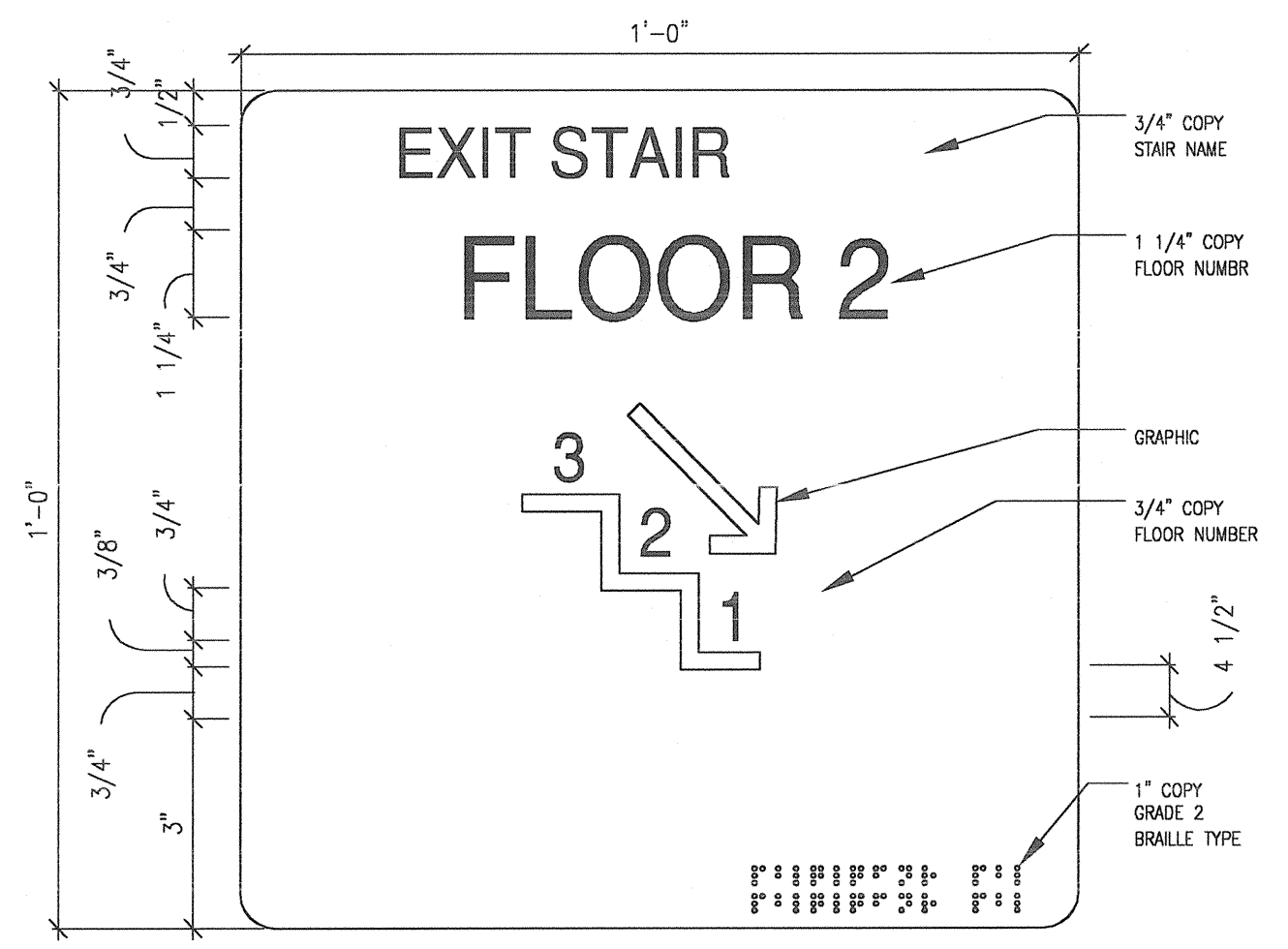


8 NOT USED  
NA

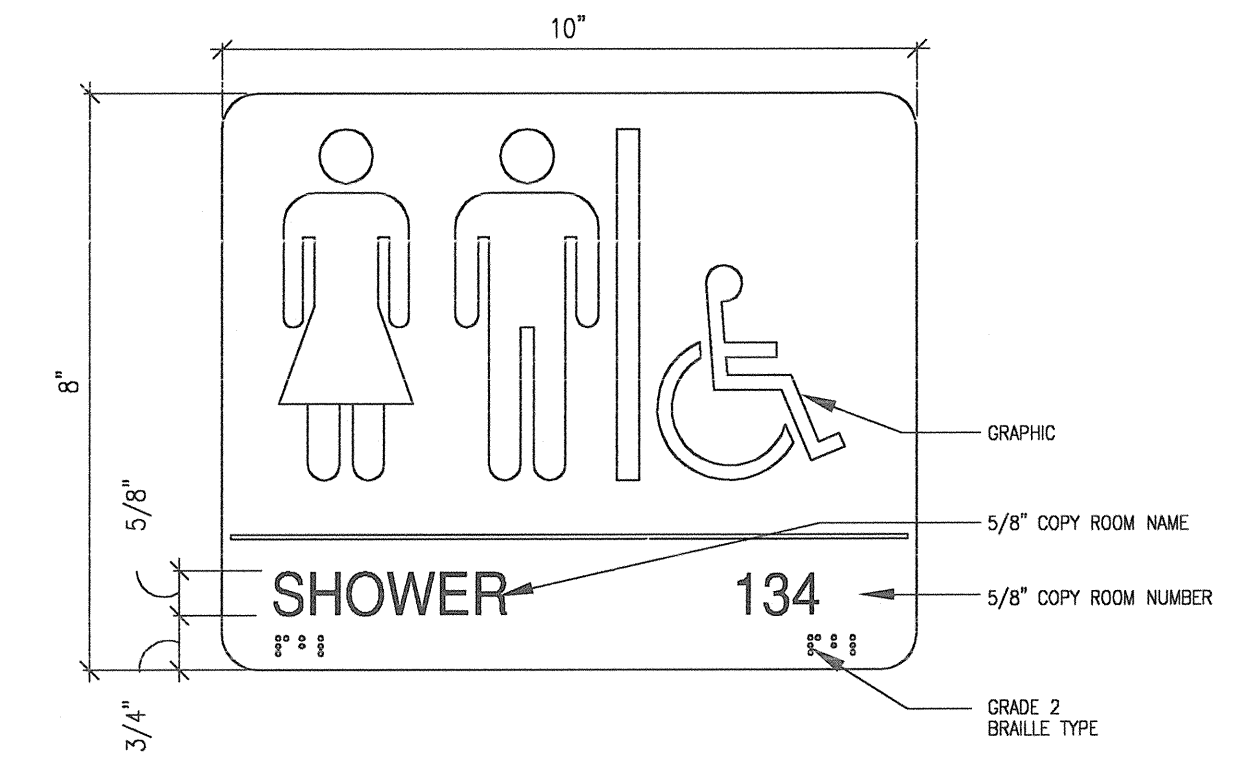
6 SIGN TYPE 'S1'  
3/4" = 1'-0"



5 SIGN TYPE 'A'  
3/4" = 1'-0"



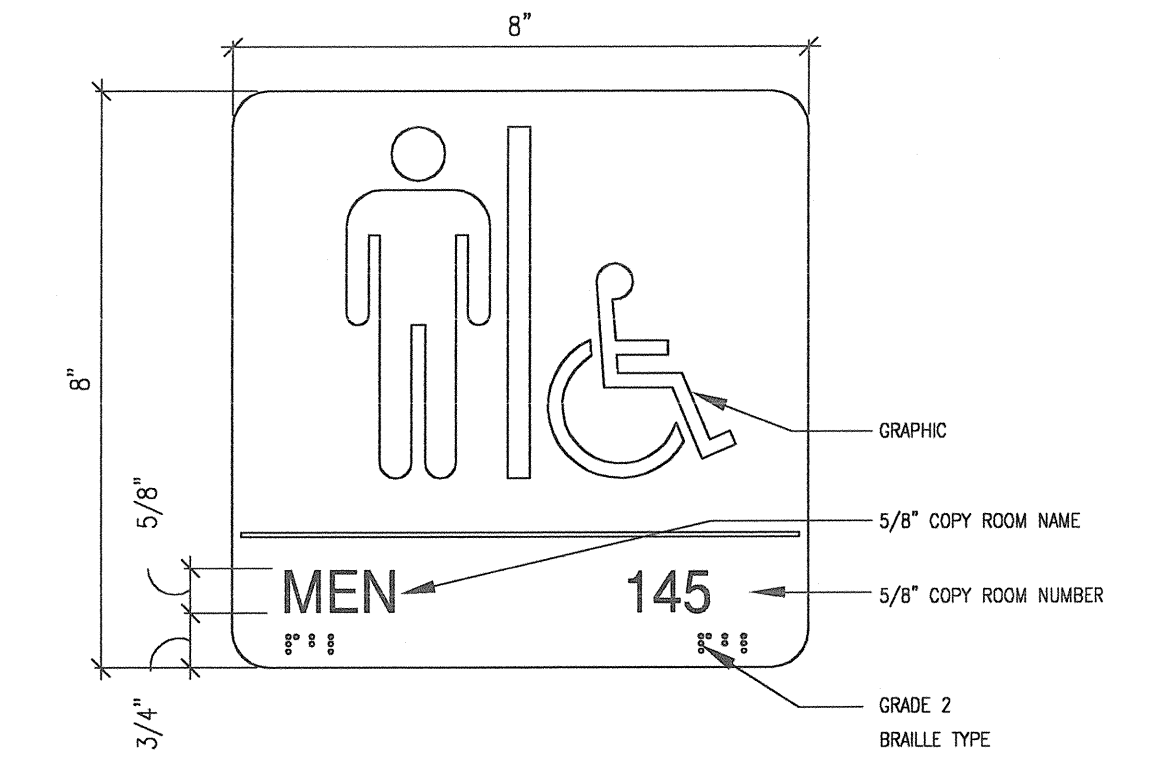
4 SIGN TYPE 'S2'  
3/4" = 1'-0"



3 SIGN TYPE 'C'  
3/4" = 1'-0"

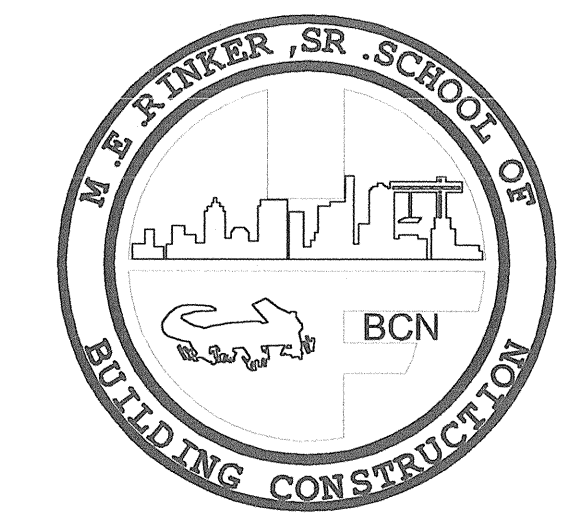


2 SIGN TYPE 'S3'  
3/4" = 1'-0"



1 SIGN TYPE 'B'  
3/4" = 1'-0"

9 SIGN SCHEDULE  
NA



**M.E. RINKER, Sr. HALL**  
SCHOOL OF BUILDING CONSTRUCTION  
UNIVERSITY OF FLORIDA-GAINESVILLE  
PROJECT NO. BR-191

ARCHITECTS  
CROXTON COLLABORATIVE/  
GOULD EVANS ASSOCIATES  
CROXTON COLLABORATIVE ARCHITECTS  
475 FIFTH AVENUE  
NEW YORK, NY 10017  
TEL 212.683.1998  
FAX 212.683.2799

GOULD EVANS ASSOCIATES  
5405 WEST CYPRESS STREET  
TAMPA, FL 33607  
TEL 813.288.0729  
FAX 813.288.0231

MECHANICAL ENGINEERS  
LEHR ASSOCIATES  
130 WEST 30TH STREET  
NEW YORK, NY 10001-4092  
TEL 212.947.8050  
FAX 212.967.2059

STRUCTURAL ENGINEERS  
WALTER P. MOORE  
201 EAST KENNEDY BOULEVARD  
TAMPA, FL 33602  
TEL 813.221.2424  
FAX 813.221.2289

ENVIRONMENTAL ENGINEERS  
BROWN & CULLEN, INC.  
3530 NW 43 STREET  
GAINESVILLE, FL 32605  
TEL 352.375.8999  
FAX 352.375.0833

LANDSCAPE ARCHITECTS  
MCCLAIN DESIGN GROUP, INC.  
1543 NW 39 DRIVE  
GAINESVILLE, FL 32605  
TEL 352.372.2808  
FAX 352.372.6622

CONSULTANT  
SEEGER-BISCH  
AUSSERE, SUZBACHER STR. 118  
NURNBERG, GERMANY  
TEL 0911/59 90 99  
FAX 0911/59 98 05

THIS DRAWING, AS AN INSTRUMENT OF SERVICE, IS AND SHALL REMAIN THE PROPERTY OF CROXTON COLLABORATIVE ARCHITECTS. THIS DRAWING SHALL NOT BE REPRODUCED, PUBLISHED, USED ON OTHER PROJECTS, USED FOR ADDITIONS, OR USED IN COMPLETION OF THIS PROJECT BY OTHERS WITHOUT THE WRITTEN CONSENT OF CROXTON COLLABORATIVE ARCHITECTS. © 2001 CROXTON COLLABORATIVE ARCHITECTS, GOULD EVANS ASSOCIATES.

NO. / ISSUE / REVISION DATE

100% CONSTRUCTION DOCUMENTS

DRAWING NAME  
SIGN DETAILS

DATE 11/21/01  
SCALE 3"=1'-0"  
DRAWN BY/CHECKED BY GS/JRae  
A804