

M.E. RINKER, Sr. HALL
SCHOOL OF BUILDING CONSTRUCTION
UNIVERSITY OF FLORIDA-GAINESVILLE
PROJECT NO. BR-191

ARCHITECTS
CROXTON COLLABORATIVE/
GOULD EVANS ASSOCIATES

CROXTON COLLABORATIVE ARCHITECTS
475 5TH AVENUE
NEW YORK, NY 10017
TEL: 212.681.1908
FAX: 212.683.2799

GOULD EVANS ASSOCIATES
5405 WEST CYPRESS STREET
TAMPA, FL 33607
TEL: 813.288.0729
FAX: 813.288.0231

MECHANICAL ENGINEERS
LEHR ASSOCIATES
130 WEST 30TH STREET
NEW YORK, NY 10001-4092
TEL: 212.947.8050
FAX: 212.967.2059

STRUCTURAL ENGINEERS
WALTER P. MOORE
201 EAST KENNEDY BOULEVARD
TAMPA, FL 33602
TEL: 813.221.2424
FAX: 813.221.2289

ONE ENGINEER
BROWN & CULLEN, INC.
3530 NW 43 STREET
GAINESVILLE, FL 32605
TEL: 352.378.8999
FAX: 352.375.0833

LANDSCAPE ARCHITECTS
McCLAIN DESIGN GROUP, INC.
1843 NW 39 DRIVE
GAINESVILLE, FL 32605
TEL: 352.372.2808
FAX: 352.372.6622

CONSULTANT
SEEGY-BISCH
AUSSERE SUIZBACHER STR. 118
NURNBERG, GERMANY
TEL: 0911/59 90 99
FAX: 0911/59 98 05

THIS DRAWING, AS AN INSTRUMENT OF SERVICE, IS AND SHALL REMAIN THE PROPERTY OF CROXTON COLLABORATIVE ARCHITECTS. THIS DRAWING SHALL NOT BE REPRODUCED, PUBLISHED, USED ON OTHER PROJECTS, USED FOR ADDITIONS, OR USED IN COMPLETION OF THIS PROJECT BY OTHERS EXCEPT BY AGREEMENT IN WRITING. © 2001 CROXTON COLLABORATIVE ARCHITECTS/GOULD EVANS ASSOCIATES.

NO. ISSUE/REVISION DATE

100% CONSTRUCTION DOCUMENTS

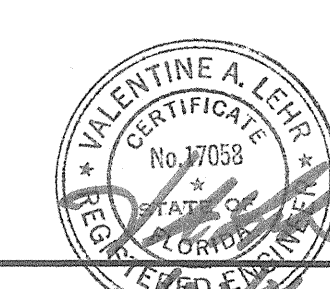
DRAWING NAME
PLUMBING SYMBOLS, NOTES, & DETAILS

DATE 11/21/01

SCALE NONE

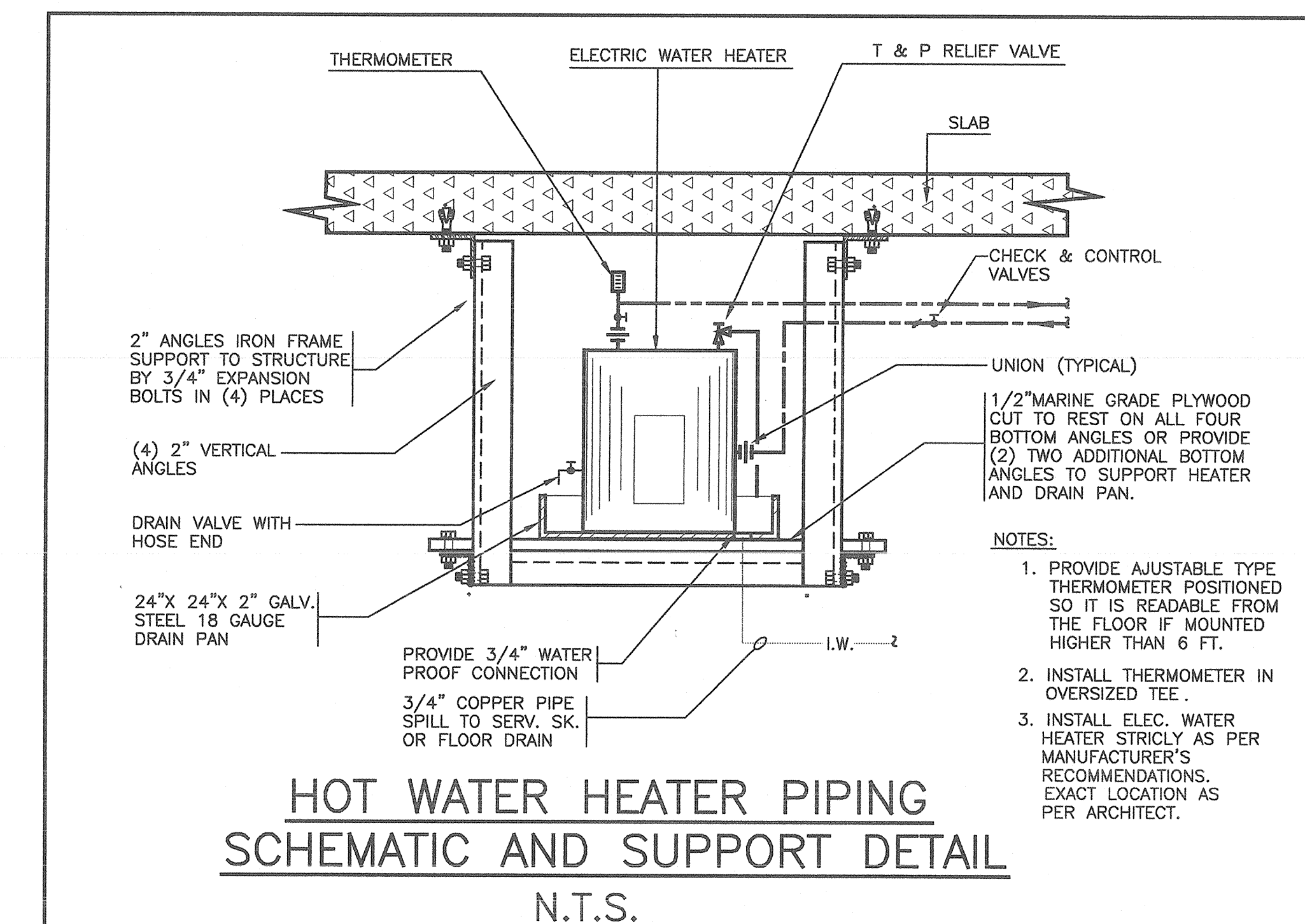
DRAWN BY/DESIGNED BY OB

PROJECT NO. P-1



PLUMBING FIXTURE SCHEDULE

TAG	FIXTURE TYPE	MANUFACTURER NUMBER	TRIM FITTING	CARRIER	REMARKS
WC-1&1A	WATER CLOSET, WALL MOUNTED (WC-1A IS ADA APPROVED)	AMERICAN STANDARD # 2257-103 "AFWALL" ELONGATED, TOP SPUD	SEAT OLSONITE #95 FLUSH VALVE: SLOAN ROYAL 111	J.R. SMITH	
UR-1	URINAL, WALL HUNG	AMERICAN STANDARD # 6541.132 "ALLBROOK", TOP SPUD	FLUSH VALVE: SLOAN ROYAL #186-1	J.R. SMITH	
LAV	LAVATORY, WALL HUNG	AMERICAN STANDARD #0195.073 "ROXALYN"	ELECTRONIC METERING FAUCET KOHLER MODEL K-7499		
SK-1	SINK, COUNTERTOP	"ELKAY" LR-2521 STAINLESS STEEL	SINGLE CONTROL FAUCET AMERICAN STANDARD MODEL 4205.104		
MSK	MOP SINK, PRECAST TERRAZZO	WILLIAMS HOLLOW SQUARE 24"x24"x12" MODEL HL-1800 W/STAINLESS STEEL STRAINER	FAUCET, KOHLER MODEL K-7855		
DF-1	DRINKING FOUNTAIN, DOUBLE LEVEL	HAWES, MODEL 1001			



GENERAL NOTES

- THE CONTRACTOR SHALL BE HELD RESPONSIBLE TO HAVE VISITED AND EXAMINED THE PREMISES BEFORE SUBMITTING HIS PROPOSAL, IN ORDER TO UNDERSTAND THE EXISTING CONDITIONS RELATED TO HIS WORK.
- ALL MATERIALS AND APPARATUS SHALL BE INSTALLED IN ACCORDANCE WITH ALL THE RULES AND REGULATIONS OF THE NATIONAL BUILDING CODES AND ALL OTHER AUTHORITIES HAVING JURISDICTION.
- THE CONTRACTOR SHALL COORDINATE HIS WORK WITH ALL OTHER TRADES AND ALL EXISTING CONDITIONS, AND PROVIDE OFFSETS IN PIPING SYSTEM TO AVOID STRUCTURAL, ARCHITECTURAL, MECHANICAL AND ELECTRICAL INTERFERENCES, WHETHER INDICATED OR NOT.
- CONNECTION TO EXISTING SERVICES SHALL BE PERFORMED DURING OFF-WORK HOURS OR ON WEEKENDS IN PREMIUM TIME. CONNECTION OF NEW WORK TO EXISTING WORK SHALL BE PERFORMED IN NEAT AND APPROVED MANNER, RESTORING EXISTING WORK DISTURBED TO ORIGINAL CONDITION.
- EXACT PIPING LOCATION TO BE VERIFIED IN FIELD.
- EXISTING PIPING DAMAGES AS A RESULT OF PERFORMING THE WORK OF THIS CONTRACT SHALL BE REPAIRED OR REPLACED AS REQUIRED WITH MATERIAL AND FINISH TO MATCH EXISTING OR TO SATISFACTION OF THE ARCHITECT OR ENGINEER.
- ANY PIPE PASSING UNDER A FOOTING OR THROUGH A FOUNDATION WALL SHALL BE PROVIDED WITH SLEEVE TWO PIPE SIZE LARGER.
- ALL HORIZONTAL STORM OR SANITARY DRAINS 4" IN DIAMETER OR LESS SHALL HAVE CLEANOUT LOCATED NOT MORE THAN 50 FEET APART AND NO MORE THAN 100 FEET APART FOR DRAINS LARGER THAN 4"
- CLEANOUT OR CONCEALED PIPING SHALL EXTEND THROUGH AND TERMINATE FLUSH WITH THE FINISHED WALL OR FLOOR.
- CLEANOUT SIZES SHALL BE IN ACCORDANCE WITH BOCA CODE, TABLE P-1107.1
- WATER-HAMMER ARRESTORS SHALL BE INSTALLED WITHIN AN EFFECTIVE RANGE OF ALL QUICK-CLOSING VALVES. WATER-HAMMER ARRESTORS SHALL CONFORM TO ASME-A112.26.1 OR ASSE AND PROVIDED WITH AN ADEQUATE ACCESS.

BUILDING DEPARTMENT NOTES FOR PLUMBING

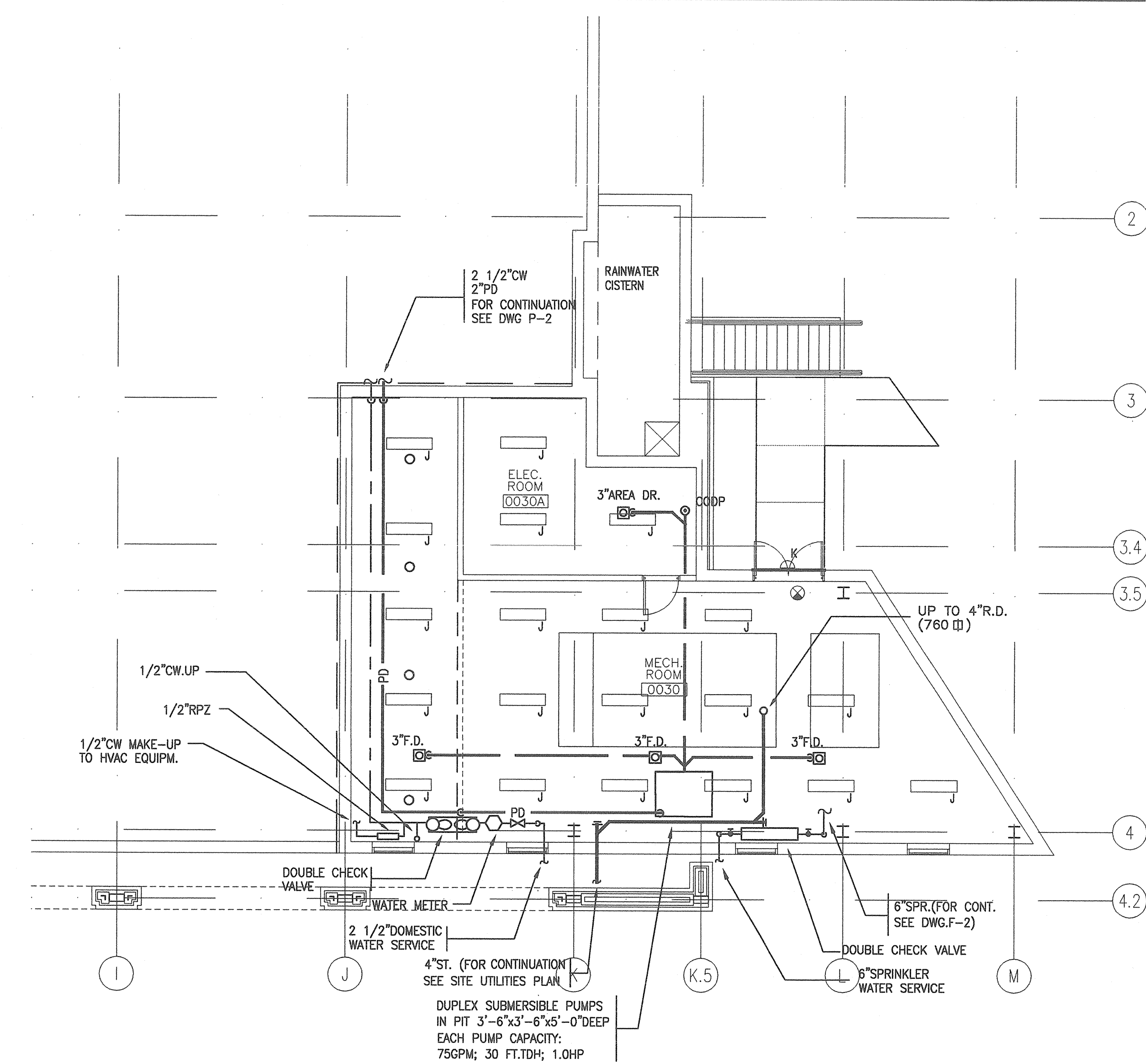
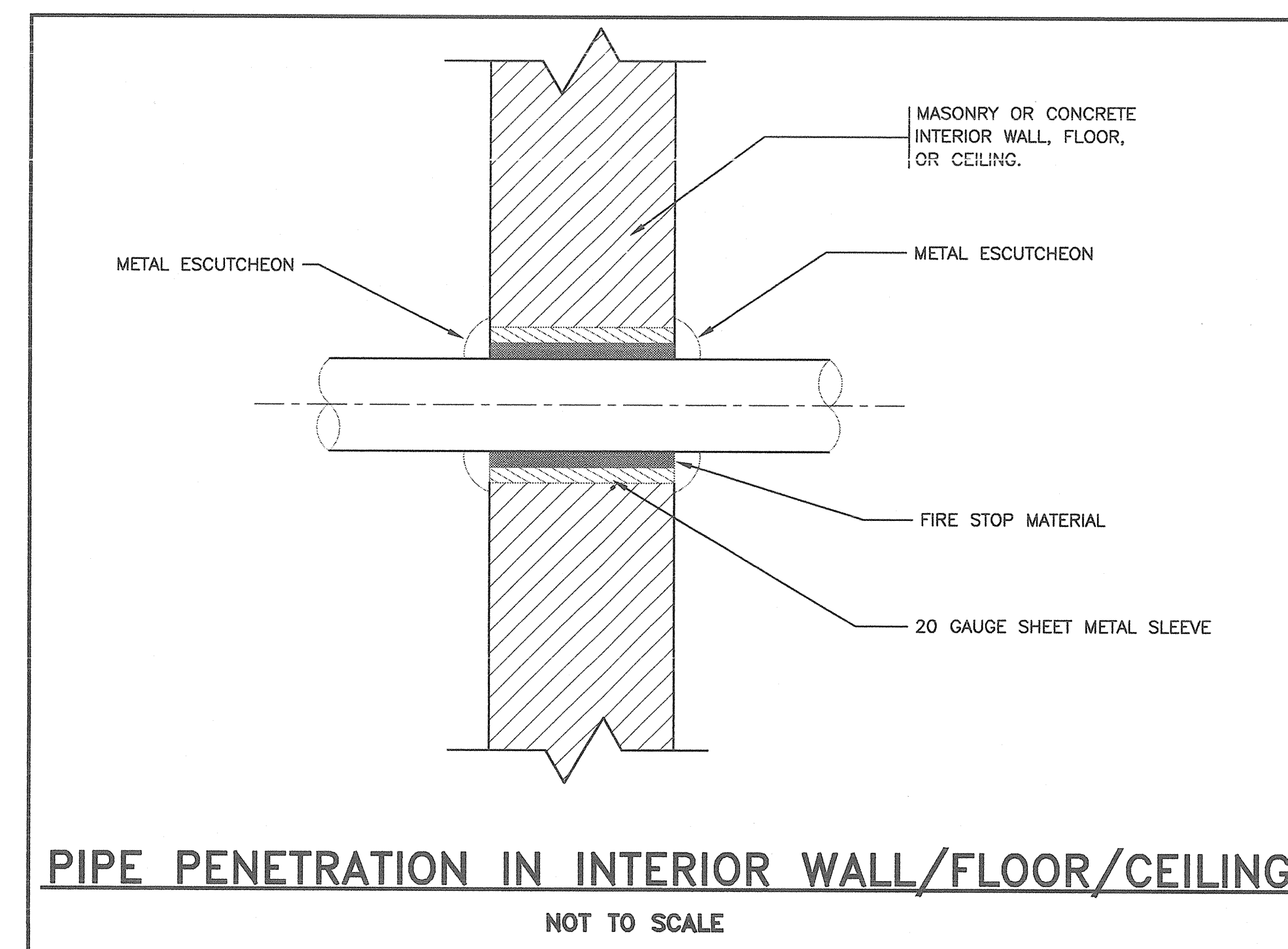
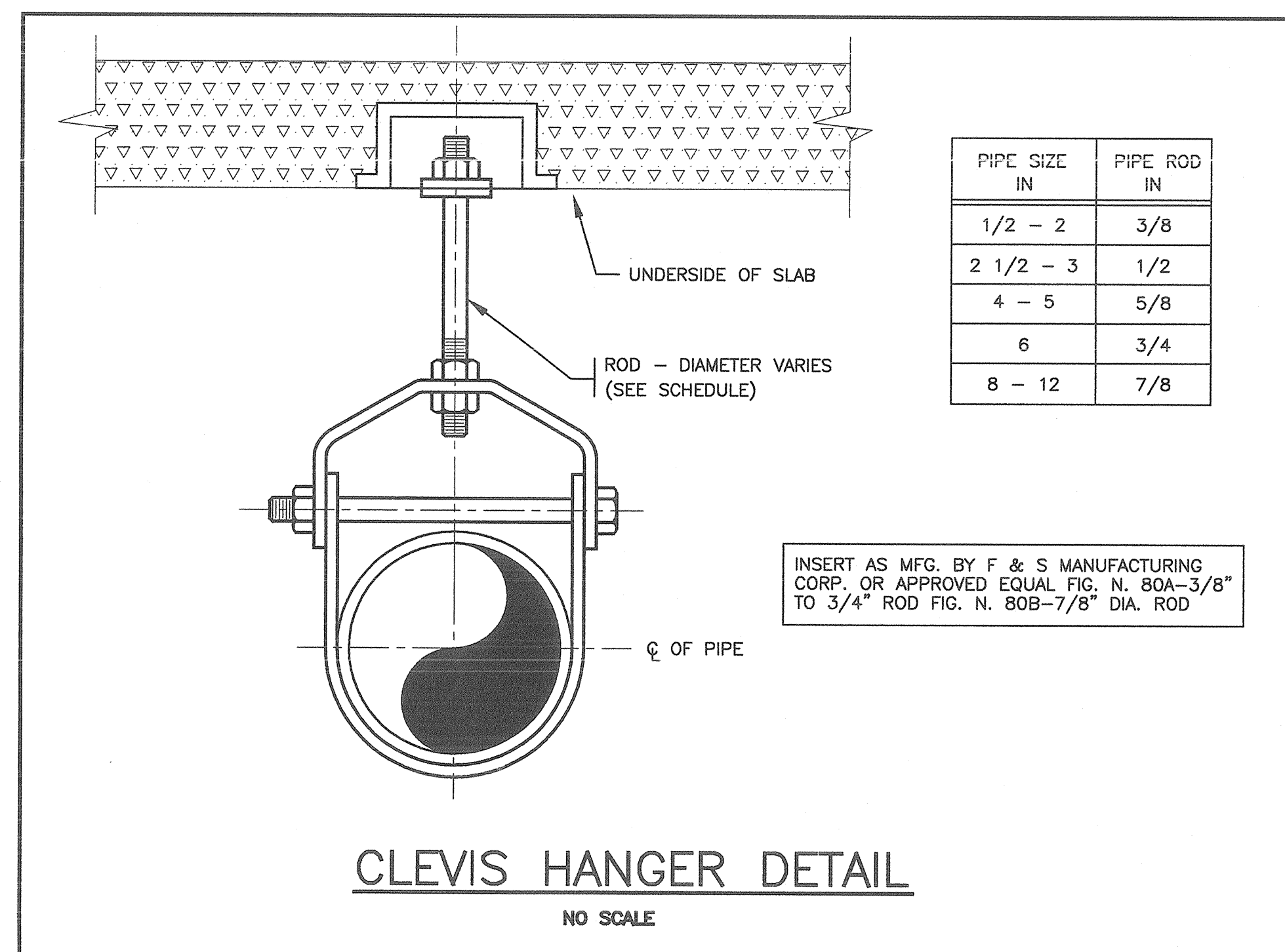
- ALL PLUMBING WORK SHALL BE IN STRICT ACCORDANCE WITH NATIONAL BUILDING CODE AND LOCAL LAW.
- SANITARY DRAINAGE AND VENT PIPING UNLESS OTHERWISE NOTED: CAST IRON SOIL PIPE AND FITTINGS OR GALVANIZED STEEL PIPE WITH THREADED CAST IRON DRAINAGE FITTINGS, OR GALVANIZED THREADED MALLEABLE IRON FITTINGS.
- CHANGES IN DIRECTION OF DRAINAGE PIPING SHALL BE MADE BY THE APPROPRIATE USE OF 45 DEGREE WYES, LONG TURN TEE WYES, LONG SWEEP QUARTER BENDS, SIXTH, EIGHTH OR SIXTEENTH BENDS OR BY A COMBINATION OF THESE OR EQUIVALENT FITTINGS.
- SHORT TURN SANITARY TEES MAY BE USED IN DRAINAGE LINES ONLY WHERE THE DIRECTION OF FLOW IS FROM HORIZONTAL TO THE VERTICAL.
- SHORT SWEEPS WILL BE PERMITTED IN DRAINAGE PIPING 3 IN. DIAMETER OR LARGER FOR ANY OFFSETS EITHER HORIZONTAL OR VERTICAL.
- WATER SUPPLY CONNECTIONS TO PLUMBING FIXTURES AND EQUIPMENT SHALL HAVE OVER-RIM WATER SUPPLIES WHEREVER POSSIBLE OR SHALL BE PROVIDED WITH APPROVED VACUUM BREAKERS AND/OR CHECK VALVES OR BACKFLOW PREVENTERS.
- ALL PLUMBING FIXTURES SHALL BE IN FULL COMPLIANCE WITH LOCAL LAWS NO. 29/89 AND NO. 58/87 AND D.A. REQUIREMENTS.

PLUMBING SYMBOLS AND ABBREVIATIONS

	EXISTING PIPING TO REMAIN
	EXISTING PIPING TO BE REMOVED
	NEW COLD WATER PIPING (CW)
	NEW HOT WATER PIPING (HW)
	NEW HOT WATER RETURN PIPING (HWR)
	NEW SOIL (S) OR WASTE (W) PIPING
	NEW SOIL (S) OR WASTE (W) UNDERSLAB PIPING
	NEW STORM WATER PIPING (ST)
	NEW VENT PIPING (V)
	NEW UNDERGROUND DRAINAGE
	NEW GAS PIPING (G)
	GAS PLUG VALVE
	BALANCING VALVE
	SHUT-OFF VALVE
	CHECK VALVE
	CAP OR PLUG
	CLEANOUT
	VACUUM BREAKER
	CONNECT TO EXISTING
	FLOOR DRAIN
	ROOF DRAIN
	RUNNING TRAP WITH CLEANOUT
	HOUSE TRAP
	RUNNING TRAP
	STACK
	LEADER
	WATER CLOSET
	URINAL
	BATH/TUB
	LAVATORY
	SINK
	DISHWASHER
	RANGE
	SHOWER
	WASHER/DRYER
	FRESH AIR INLET
	VENT THROUGH ROOF
	LEADER
	NOT IN CONTRACT
	CEILING
	EXISTING
	DOWN

PLUMBING SYMBOLS LIST

	GATE VALVE (ISOLATION VALVE)
	GLOBE VALVE
	LUBRICATED PLUG VALVE OR BALANCING VALVE
	CHECK VALVE
	RELIEF OR SAFETY VALVE
	AUTOMATIC 2-WAY CONTROL VALVE
	AUTOMATIC 3-WAY CONTROL VALVE
	PRESSURE REDUCING VALVE
	SOLENOID VALVE
	FLOAT VALVE
	MOTORIZED VALVE
	HOSE VALVE
	POST INDICATOR VALVE
	CURB VALVE
	ANGLE VALVE
	STRAINER
	AIR VENT
	UNION
	FLOW METER (GPM)
	WALL HYDRANT
	VACUUM BREAKER
	SHOCK ABSORBER
	HOSE BIBB
	NEW FIRE HYDRANT
	EXISTING FIRE HYDRANT
	STEAM TRAP
	PRESSURE GAUGE
	THERMOMETER
	CAPPED OUTLET
	HEAT TRACED PIPE
	PIPE UP
	PIPE DOWN
	FLOW DIRECTION
	EXISTING TO BE REMOVED
	CONCENTRIC REDUCER
	TRAP



MECH. ROOM PART PLAN