

M.E. RINKER, Sr. HALL
 SCHOOL OF BUILDING CONSTRUCTION
 UNIVERSITY OF FLORIDA-GAINESVILLE
 PROJECT NO. BR-191

ARCHITECTS
**CROXTON COLLABORATIVE/
 GOULD EVANS ASSOCIATES**

CROXTON COLLABORATIVE ARCHITECTS
 475 FIFTH AVENUE
 NEW YORK, NY 10017
 TEL 212.683.1998
 FAX 212.683.2799

GOULD EVANS ASSOCIATES
 5405 WEST CYPRESS STREET
 TAMPA, FL 33607
 TEL 813.288.0729
 FAX 813.288.0231

MEDICAL ENGINEERS
LEHR ASSOCIATES
 130 WEST 30TH STREET
 NEW YORK, NY 10001-4952
 TEL 212.947.8050
 FAX 212.947.2959

STRUCTURAL ENGINEER
WALTER P. MOORE
 201 EAST KENNEDY BOULEVARD
 TAMPA, FL 33602
 TEL 813.221.2424
 FAX 813.221.2289

CIVIL ENGINEER
BROWN & CULLEN, INC.
 3530 NW 43 STREET
 GAINESVILLE, FL 32605
 TEL 352.375.8999
 FAX 352.375.0833

LANDSCAPE ENGINEER
McCLAIN DESIGN GROUP, INC.
 1843 NW 39 DRIVE
 GAINESVILLE, FL 32605
 TEL 352.372.2888
 FAX 352.372.6622

CONSULTANT
SEEGY-BISCH
 AUSSERE SULZBACHER STR. 118
 NUERNBERG, GERMANY
 TEL 0911/59 98 99
 FAX 0911/59 98 05

THIS DRAWING, AS AN INSTRUMENT OF SERVICE, IS AND SHALL REMAIN THE PROPERTY OF CROXTON COLLABORATIVE ARCHITECTS. THIS DRAWING SHALL NOT BE REPRODUCED, PUBLISHED, USED ON OTHER PROJECTS, OR FOR ANY OTHER PURPOSES WITHOUT THE WRITTEN AGREEMENT OF CROXTON COLLABORATIVE ARCHITECTS/GOULD EVANS ASSOCIATES.

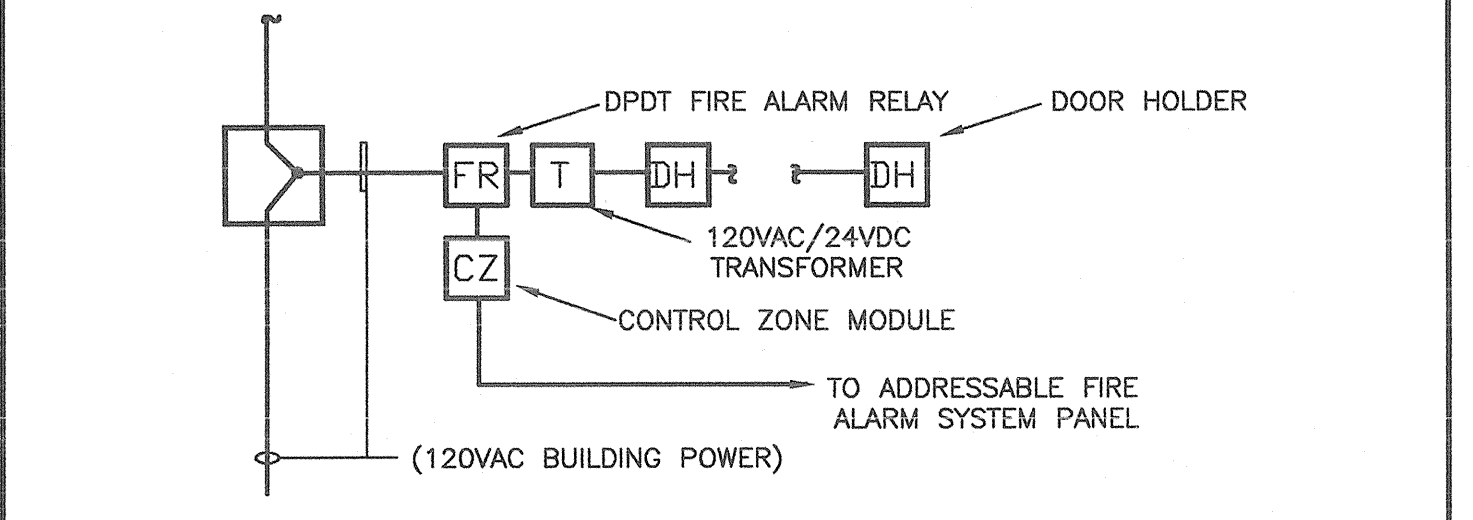
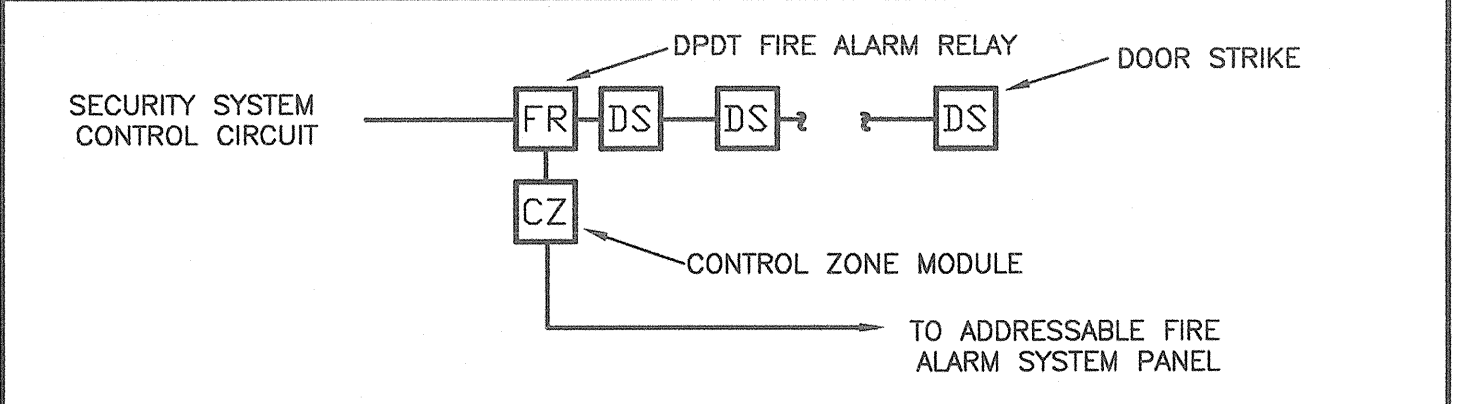
100% CONSTRUCTION DOCUMENTS

DRAWING NAME
**FAIRE ALARM
 RISER DIAGRAM**

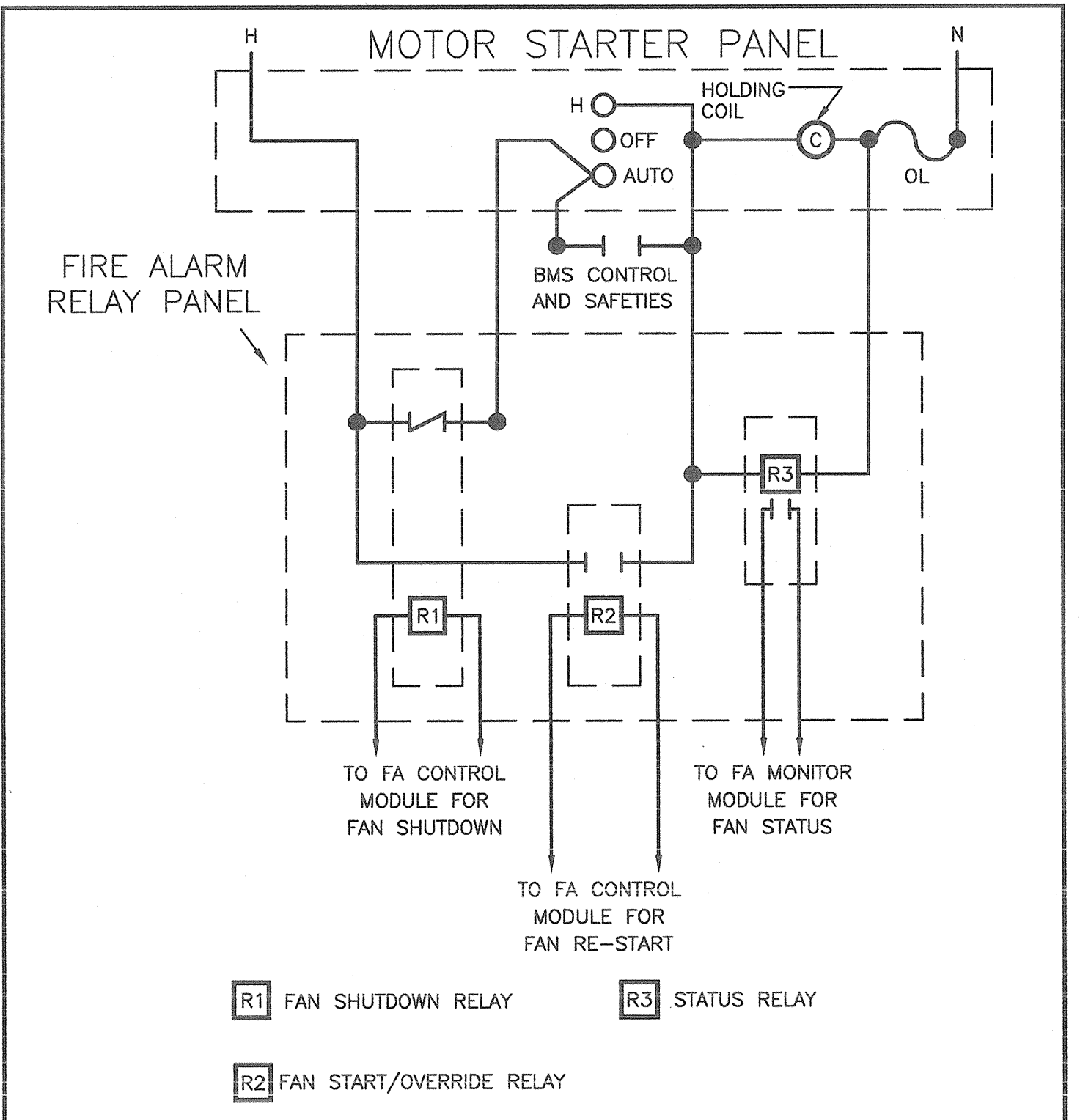
DATE 11/21/01
 SCALE NONE
 DRAWN BY/CHECKED BY NAUJH

SYMBOLS LIST

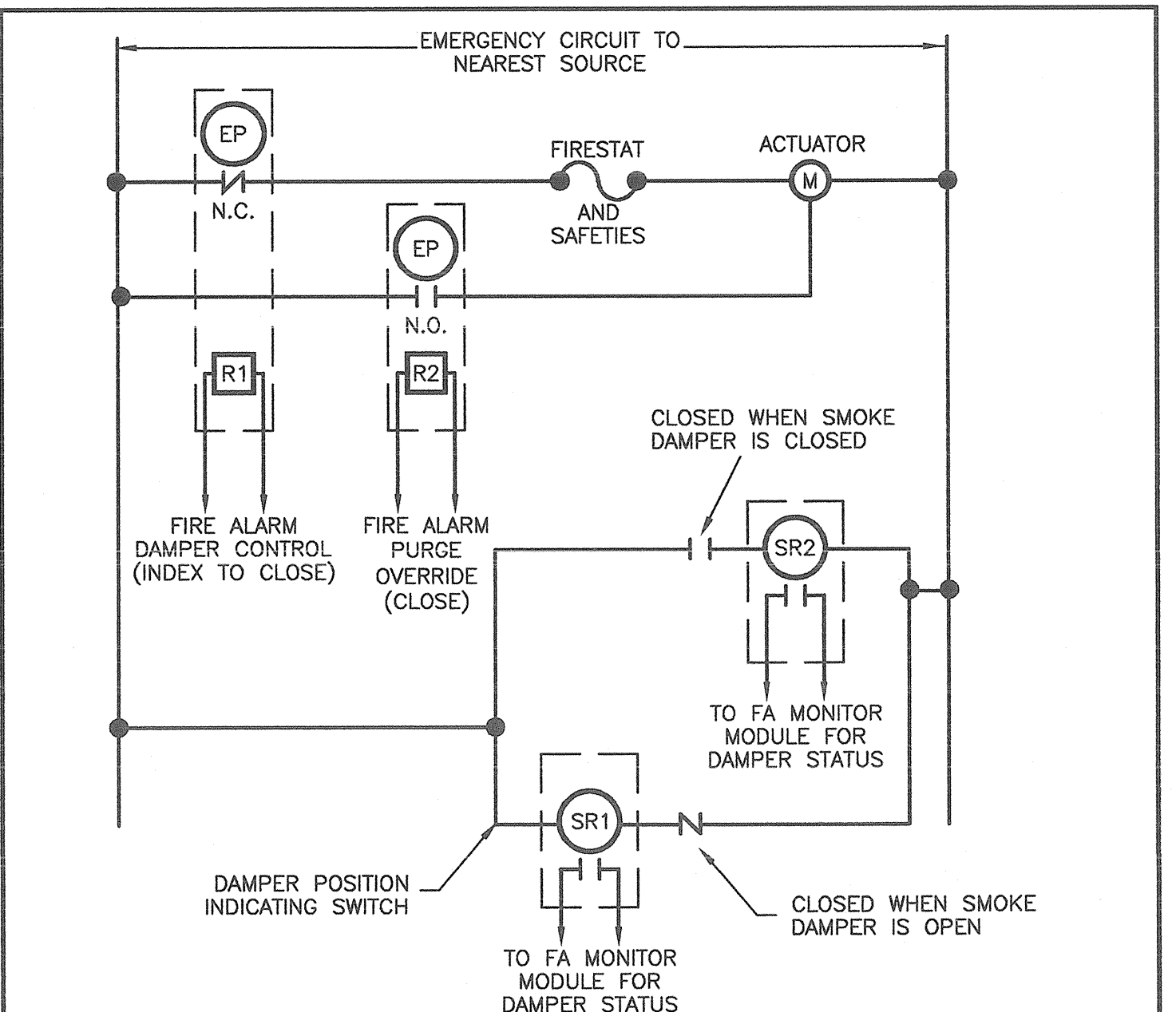
| | |
|--|---------------------------------|
| | MANUAL PULL STATION |
| | SPEAKER/HORN/STROBE COMBINATION |
| | STROBE LIGHT |
| | TAMPER SWITCH |
| | WATER FLOW SWITCH |
| | AREA SMOKE DETECTOR |
| | DUCT MOUNTED SMOKE DETECTOR |
| | FIRE ALARM RELAY |
| | TERMINATION/DATA PANEL |
| | DOOR HOLDER |
| | END OF LINE |
| | FUSE CUT OUT |
| | FIRE ALARM CONTROL PANEL |
| | F.A. STAIR SPEAKER |
| | FIRE FIGHTER'S TEL. JACK |



**TYPICAL FIRE ALARM ELECTRIC DOOR
 HOLDER/STRIKE FAIL-SAFE RELEASE**

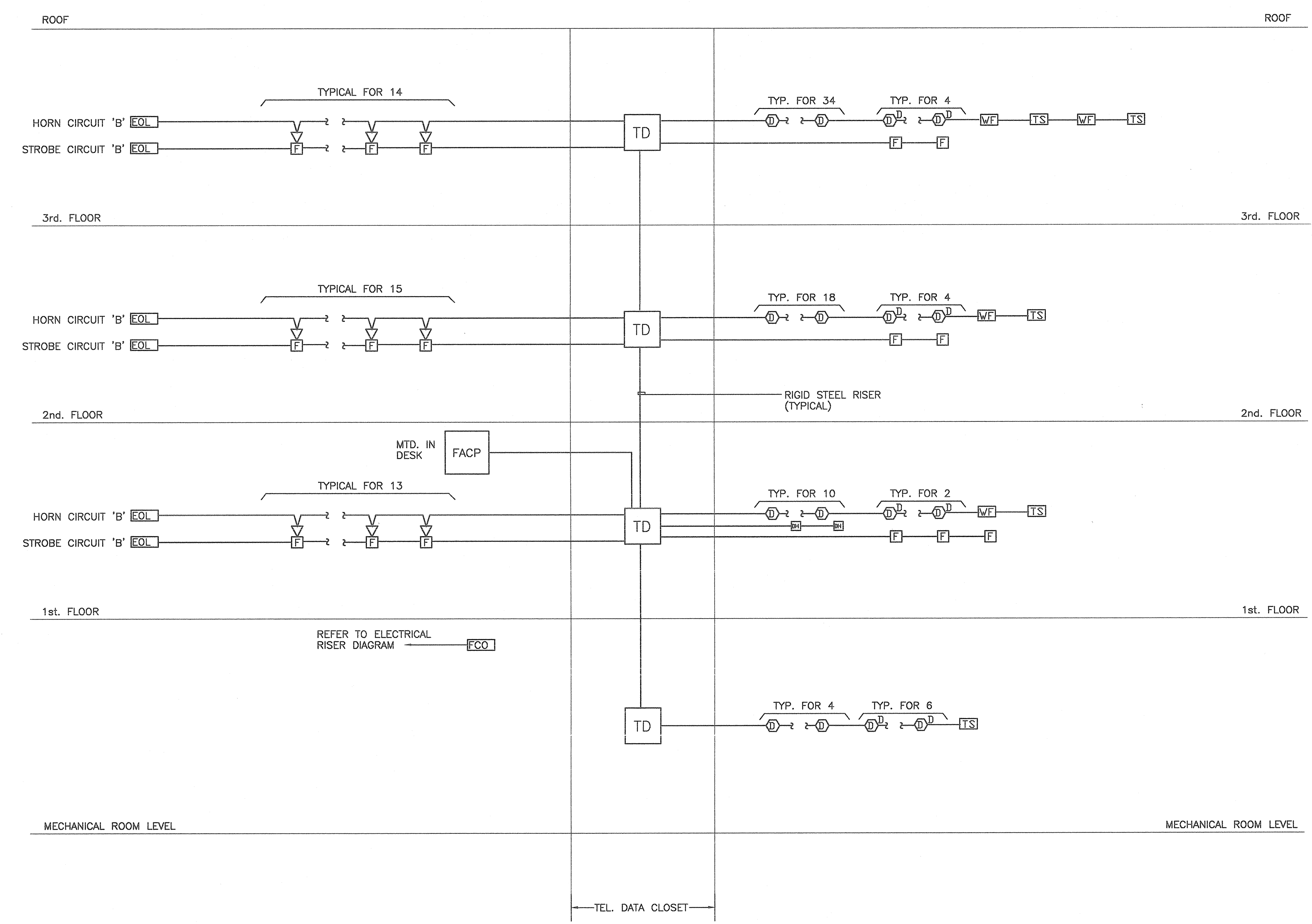


**WIRING DIAGRAM FOR FANS REQUIRING
 CONTROL FROM FIRE ALARM SYSTEM**



- STATUS RELAY DAMPER OPEN
- STATUS RELAY DAMPER CLOSED
- ELECTRIC PNEUMATIC SWITCH
- CONTROL RELAY SHUTDOWN
- CONTROL RELAY PURGE

**WIRING DIAGRAM FOR FIRE/SMOKE
 DAMPER MONITORING AND CONTROL**



FIRE ALARM RISER DIAGRAM
 N.T.S.

1. REFER TO ELECTRICAL POWER FLOOR PLANS FOR LOCATIONS AND EXACT QUANTITIES OF DEVICES.
2. REFER TO MECHANICAL PLANS FOR QUANTITY AND LOCATIONS OF DUCT MOUNTED SMOKE DETECTORS, DAMPER CONTROL REQUIREMENTS AND FAN SHUT-DOWN REQUIREMENTS.
3. REFER TO FIRE PROTECTION PLANS FOR QUANTITY AND LOCATIONS OF WATERFLOW AND TAMPER SWITCHES.